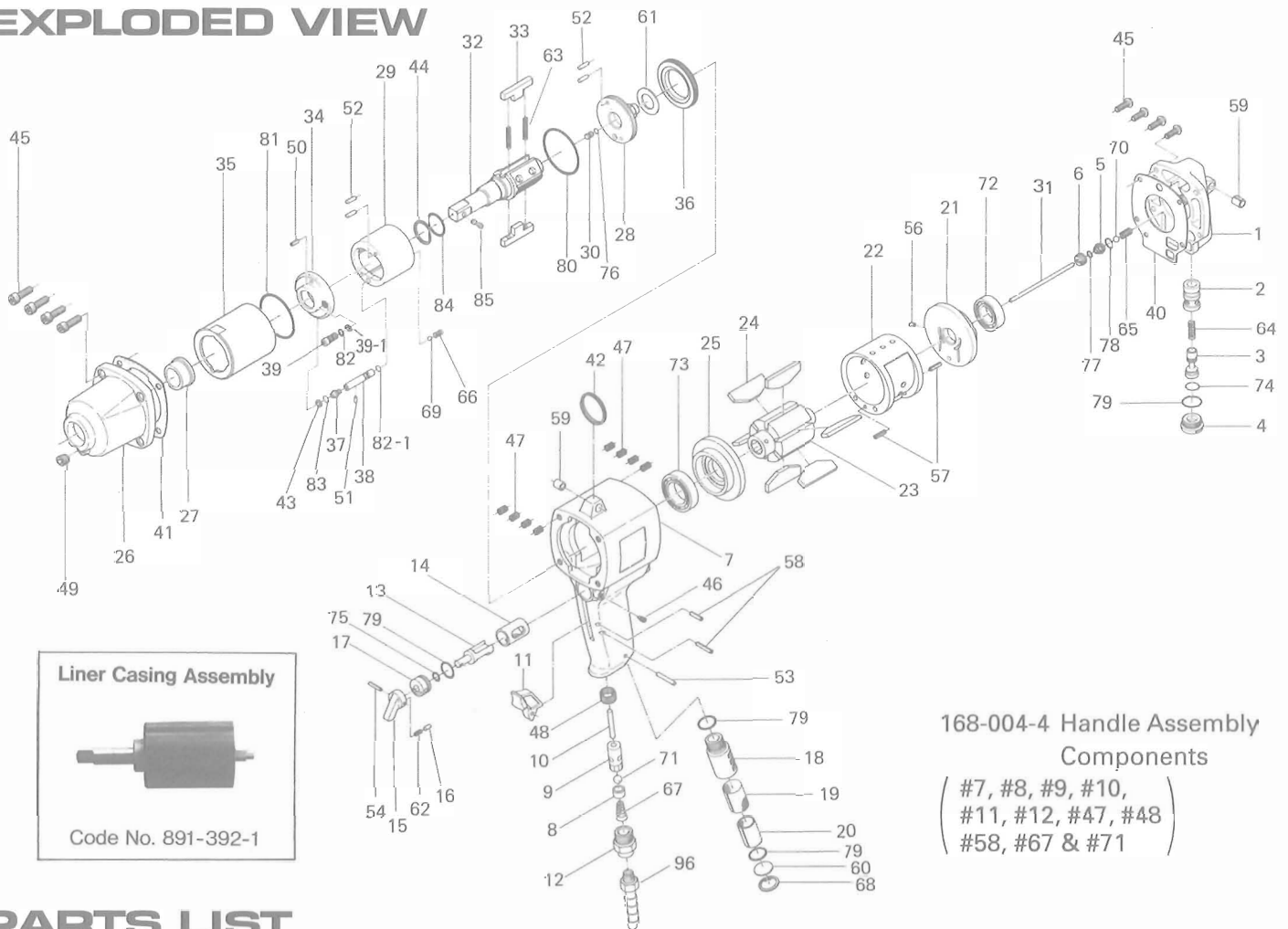


UX-T900 TORQUE CONTROL OIL-PULSE WRENCH

EXPLODED VIEW



168-004-4 Handle Assembly Components

(#7, #8, #9, #10, #11, #12, #47, #48, #58, #67 & #71)

PARTS LIST

| Index No. | Code No. | Parts Name | Quantity | Index No. | Code No. | Parts Name | Quantity | Index No. | Code No. | Parts Name | Quantity |
|-----------|-----------|------------------------|----------|-----------|-----------|-------------------------------|----------|--------------------|-----------|-------------------------------|----------|
| #1 | 151-012-9 | Head Cover | 1 | #33 | 194-440-3 | Driving Blade | 2 | #63 | 976-794-0 | Spring (3.8×33) (0.5) WPC | 2 |
| #2 | 175-253-7 | Shut-Off Valve Bushing | 1 | #34 | 168-904-4 | Front Liner Plate | 1 | #64 | 976-274-0 | Spring (5.2×15) | 1 |
| #3 | 175-254-7 | Shut-Off Valve | 1 | #35 | 194-905-3 | Liner Casing | 1 | #65 | 976-275-0 | Spring (6.7×12) | 1 |
| #4 | 175-927-9 | Shut-Off Valve Cover | 1 | #36 | 194-906-3 | Liner Casing Setter | 1 | #66 | 977-013-0 | Cone Spring (3.2×3.8×7)(0.55) | 1 |
| #5 | 175-968-9 | Pilot Valve Retainer | 1 | #37 | 175-907-9 | Relief Valve Spindle | 1 | #67 | 977-175-0 | Cone Spring (7.5×10.3×22) | 1 |
| #6 | 175-019-9 | Valve Cover | 1 | #38 | 168-970-4 | Relief Valve | 1 | #68 | 979-318-0 | Inner Snap Ring (IRTW-18) | 1 |
| #7 | 168-025-4 | Handle | 1 | #39 | 194-742-3 | Oil Plug | 1 | #69 | 981-002-0 | Ball (1/8) | 1 |
| #8 | 188-100-1 | Valve | 1 | #39-1 | 944-003-0 | Supporting Ring (3.0×5.0×1) | 1 | #70 | 981-006-0 | Ball (1/4) | 1 |
| #9 | 063-102-3 | Valve Bushing | 1 | #40 | 151-853-9 | Head Cover Packing | 1 | #71 | 981-208-0 | Ball (5/16) (BLACK) | 1 |
| #10 | 193-104-6 | Valve Rod | 1 | #41 | 194-867-3 | Front Casing Packing | 1 | #72 | 982-403-0 | Ball Bearing (EE-4) | 1 |
| #11 | 187-107-1 | Throttle Trigger | 1 | #42 | 004-790-2 | Suspension Ring | 1 | #73 | 982-950-0 | Ball Bearing (16002) | 1 |
| #12 | 185-091-7 | Air Inlet Bushing | 1 | #43 | 944-205-0 | Supporting Ring (5.1×7×1) | 1 | #74 | 990-004-0 | O-Ring (P6) | 1 |
| #13 | 187-210-1 | Reverse Valve | 1 | #44 | 944-215-0 | Supporting Ring (16×19.9×1.5) | 1 | #75 | 990-205-0 | O-Ring (JW1516-5) | 1 |
| #14 | 185-211-1 | Reverse Valve Bushing | 1 | #45 | 945-117-0 | Allen Head Bolt (M5×16) | 8 | #76 | 990-320-0 | O-Ring (APR568-003) | 1 |
| #15 | 023-212-4 | Reverse Lever | 1 | #46 | 952-108-0 | Allen Head Dog Point | 1 | #77 | 990-901-0 | O-Ring (SNS-3) | 1 |
| #16 | 054-220-1 | Reverse Lever Notch | 1 | #47 | 965-011-0 | Heli-Sert (M5×1.5D) | 8 | #78 | 990-907-0 | O-Ring (SNS-9) | 1 |
| #17 | 187-222-1 | Reverse Valve Setter | 1 | #48 | 965-073-0 | Heli-Sert (UNF 3/8) (N6) | 1 | #79 | 990-914-0 | O-Ring (SNS-16) | 4 |
| #18 | 194-780-4 | Exhaust Stack | 1 | #49 | 966-100-0 | Allen Head Plug (1/8) | 1 | #80 | 990-607-0 | O-Ring (34×2.3) | 1 |
| #19 | 194-042-4 | Silencer | 1 | #50 | 969-450-0 | Pin (G) (3×8) | 1 | #81 | 990-338-0 | O-Ring (JW1530-28) | 1 |
| #20 | 174-780-3 | Filter | 1 | #51 | 970-093-0 | Pin (H) (2×8) | 1 | #82 | 990-970-0 | O-Ring (SNS-2)(NOK) | 1 |
| #21 | 194-285-3 | Rear Plate | 1 | #52 | 970-206-0 | Pin (H) (3×8) | 4 | #83 | 990-972-0 | O-Ring (SNS-4)(NOK) | 1 |
| #22 | 194-286-3 | Cylinder | 1 | #53 | 971-163-0 | Pin (2.5×23) | 1 | #84 | 995-516-0 | Teflon Seal (P16GC) | 1 |
| #23 | 168-287-4 | Rotor | 1 | #54 | 973-016-0 | Roll Pin (2×16) | 1 | #85 | 891-304-1 | Socket Pin Assembly (1/2) | 1 |
| #24 | 168-288-6 | Rotor Blade (PC) | 5 | #55 | 973-066-0 | Roll Pin (2.5×6) | 1 | #82-1 | 990-970-0 | O-Ring (SNS-2)(NOK) | 1 |
| #25 | 194-289-3 | Front Plate | 1 | #56 | 973-108-0 | Roll Pin (3×8) | 2 | ACCESSORIES | | | |
| #26 | 194-439-3 | Front Casing | 1 | #57 | 973-114-0 | Roll Pin (3×14) | 2 | #87 | 940-114-0 | Air Hose Nipple (NPT1/4×3/8) | 1 |
| #27 | 188-328-2 | Anvil Bushing | 1 | #58 | 973-340-0 | Roll Pin (6×10) | 2 | #88 | 939-104-0 | Allen Wrench (5MM) | 1 |
| #28 | 168-901-4 | Rear Liner Plate | 1 | #59 | 975-598-0 | Round Plate (13×1) | 1 | #89 | 939-109-0 | Allen Wrench (2MM)(64-64) | 1 |
| #29 | 168-902-4 | Liner | 1 | #60 | 975-780-0 | Adjusting Spacer (21×13×T) | 1 | | | | |
| #30 | 175-546-9 | Piston | 1 | #61 | 976-025-0 | Spring (3×8.5) | 1 | | | | |
| #31 | 168-130-4 | Piston Rod | 1 | | | | | | | | |
| #32 | 891-311-1 | Anvil (OP-P) Assy | 1 | | | | | | | | |

When ordering spare parts, please specify tool type, code number and part name.

Printed in Japan



URYU SEISAKU, LTD. Osaka, Japan