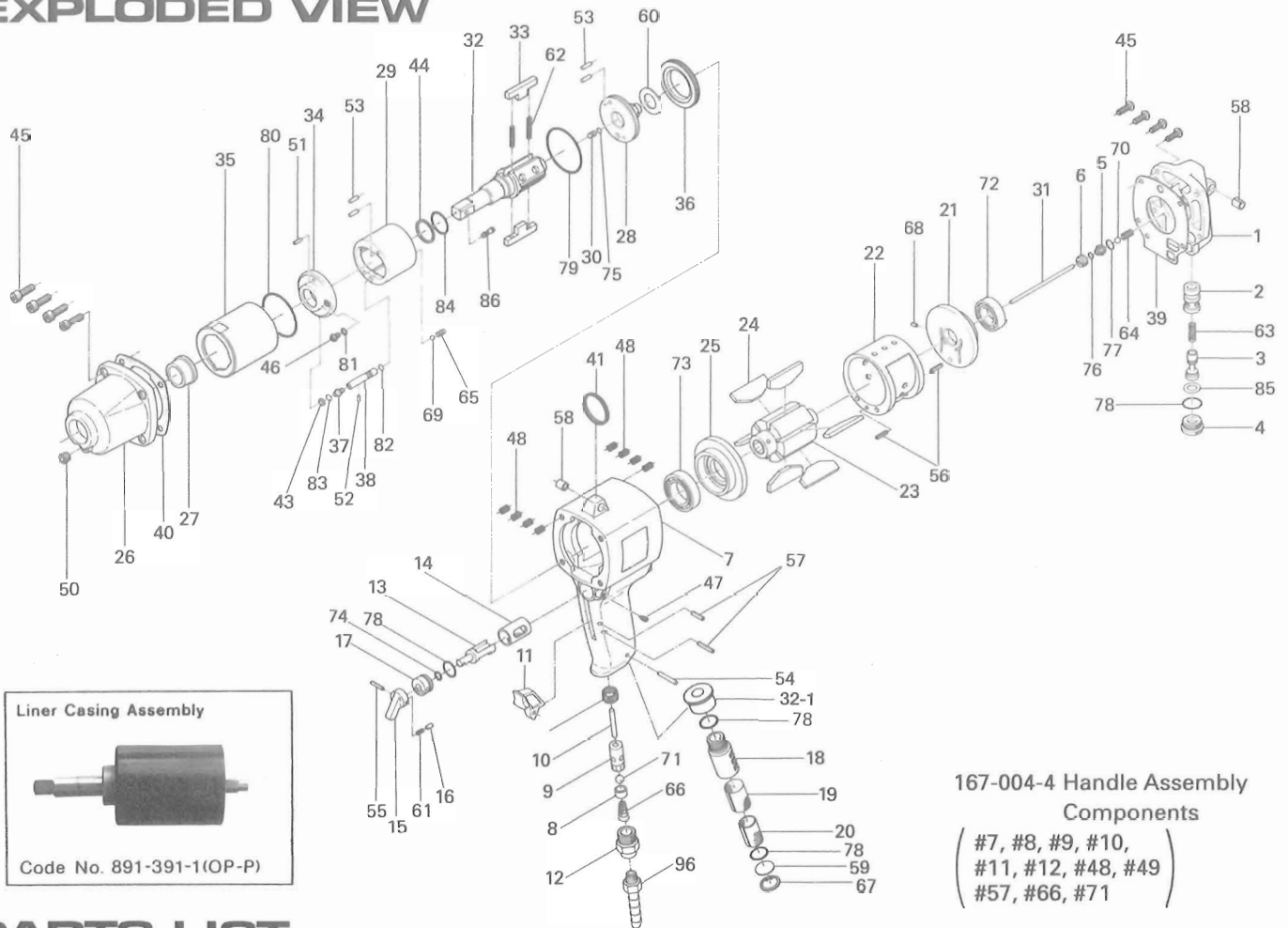


# UX-T800 UX-WRENCH (TORQUE CONTROL TYPE)

## EXPLODED VIEW



## PARTS LIST

Index No.	Code No.	Parts Name	Quantity	Index No.	Code No.	Parts Name	Quantity	Index No.	Code No.	Parts Name	Quantity
# 1	151-012-7	Head Cover	1	#33	194-440-2	Driving Blade	2	#62	976-793-0	Spring (3.7x29) WPC	2
# 2	174-253-2	Shut-Off Valve Bushing	1	#34	167-904-4	Front Liner Plate	1	#63	976-072-0	Spring (4.5x10.5)	1
# 3	174-254-2	Shut-Off Valve	1	#35	194-905-2	Liner Casing	1	#64	976-275-0	Spring (6.7x12)	1
# 4	172-927-2	Shut-Off Valve Cover	1	#36	194-906-2	Liner Casing Setter	1	#65	977-008-0	Cone Spring (3.2x3.8x7)	1
# 5	175-968-9	Pilto Valve Retainer	1	#37	175-907-9	Relief Valve Spindle	1	#66	977-175-0	Cone Spring (7.5x10.3x22)	1
# 6	175-019-9	Valve Cover	1	#38	167-970-4	Relief Valve	1	#67	979-318-0	Inner Snap Ring (IRTW-18)	1
# 7	167-025-4	Handle	1	#39	151-853-7	Head Cover Packing	1	#68	980-008-0	Round Head Notch (2.4)	1
# 8	186-100-1	Valve	1	#40	194-867-2	Front Packing	1	#69	981-002-0	Ball (1/8)	1
# 9	063-102-3	Valve Bushing	1	#41	004-790-2	Suspension Ring	1	#70	981-006-0	Ball (1/4)	1
# 10	193-104-6	Valve Rod	1	#43	944-205-0	Back-Up Ring (5.1x7x1)	1	#71	981-208-0	Ball (5/16) (BLACK)	1
# 11	187-107-1	Throttle Trlgger	1	#44	944-214-0	Supporting Ring (12x15.9x1.5)	1	#72	982-403-0	Ball Bearing (EE-4)	1
# 12	185-091-7	Air Inlet Busting	1	#45	945-117-0	Allen Head Bolt (M5x16)	8	#73	982-950-0	Ball Bearing (16002)	1
# 13	187-210-1	Reverse Valve	1	#46	945-942-0	Hexagon Round Head Bolt (M4x6)	1	#74	990-205-0	O-Ring (JW1516-5)	1
# 14	185-211-1	Reverse Valve Bushing	1	#47	952-108-0	Allen Head Dog Point Screw (M4x8)	1	#75	990-320-0	O-Ring (APR568-003)	1
# 15	023-212-4	Reverse Lever	1	#48	965-011-0	Heli-Sert (M5x1.5D)	8	#76	990-901-0	O-Ring (SNS-3)	1
# 16	054-220-1	Reverse Lever Notch	1	#49	965-073-0	Heli-Sert (UNF5/8) (N6)	1	#77	990-907-0	O-Ring (SNS-9)	1
# 17	187-222-1	Reverse Valve Setter	1	#50	966-100-0	Allen Head Plug (1/8)	1	#78	990-914-0	O-Ring (SNS-16)	4
# 18	194-780-4	Exhaust Stack	1	#51	969-450-0	Pin (G) (3x8)	1	#79	990-924-0	O-Ring (SNS-30)	1
# 19	194-042-4	Silencer	1	#52	970-093-0	Pin (H) (2x6)	1	#80	990-337-0	O-Ring (JW1530-27)	1
# 20	194-835-4	Filter	1	#53	970-206-0	Pin (H) (3x8)	4	#81	990-971-0	O-Ring (SNS-3)(NOK)	1
# 21	026-285-7	Rear Plate	1	#54	971-162-0	Pin (2.5x22)	1	#82	990-970-0	O-Ring (SNS-2)(NOK)	1
# 22	026-286-7	Cylinder	1	#55	973-016-0	Roll Pin (2x16)	1	#83	990-972-0	O-Ring (SNS-4)(NOK)	1
# 23	167-287-4	Rotor	1	#56	973-110-0	Roll Pin (3x10)	2	#84	995-512-0	Teflon Seal (P12)	1
# 24	167-288-6	Rotor Blade (PC)	6	#57	973-114-0	Roll Pin (3x14)	2	#85	996-418-0	Packing (15x9x1)	1
# 25	194-289-2	Front Plate	1	#58	973-340-0	Roll Pin (6x10)	2	#86	891-300-1	Socket Pin Assembly (3/8)	1
# 26	194-439-2	Front Casing	1	#59	975-598-0	Round Plate (18x1)	1				
# 27	185-328-2	Anvil Bushing	1	#60	975-780-0	Adjusting Spacer (21x13xT)	1				
# 28	167-901-4	Rear Liner Plate	1	#61	976-025-0	Spring (3x8.5)	1				
# 29	167-902-4	Liner	1								
# 30	175-546-9	Piston	1								
# 31	167-130-4	Piston Rod	1								
# 32	891-310-1	Anvil (OP-P) Assy	1								
#32-1	194-781-2	Exhaust Bushing	1								

When ordering spare parts, please specify tool type, code number and part name.

Printed in Japan



**URYU SEISAKU, LTD.** Osaka, Japan

OKA-370-01-10-17-2004