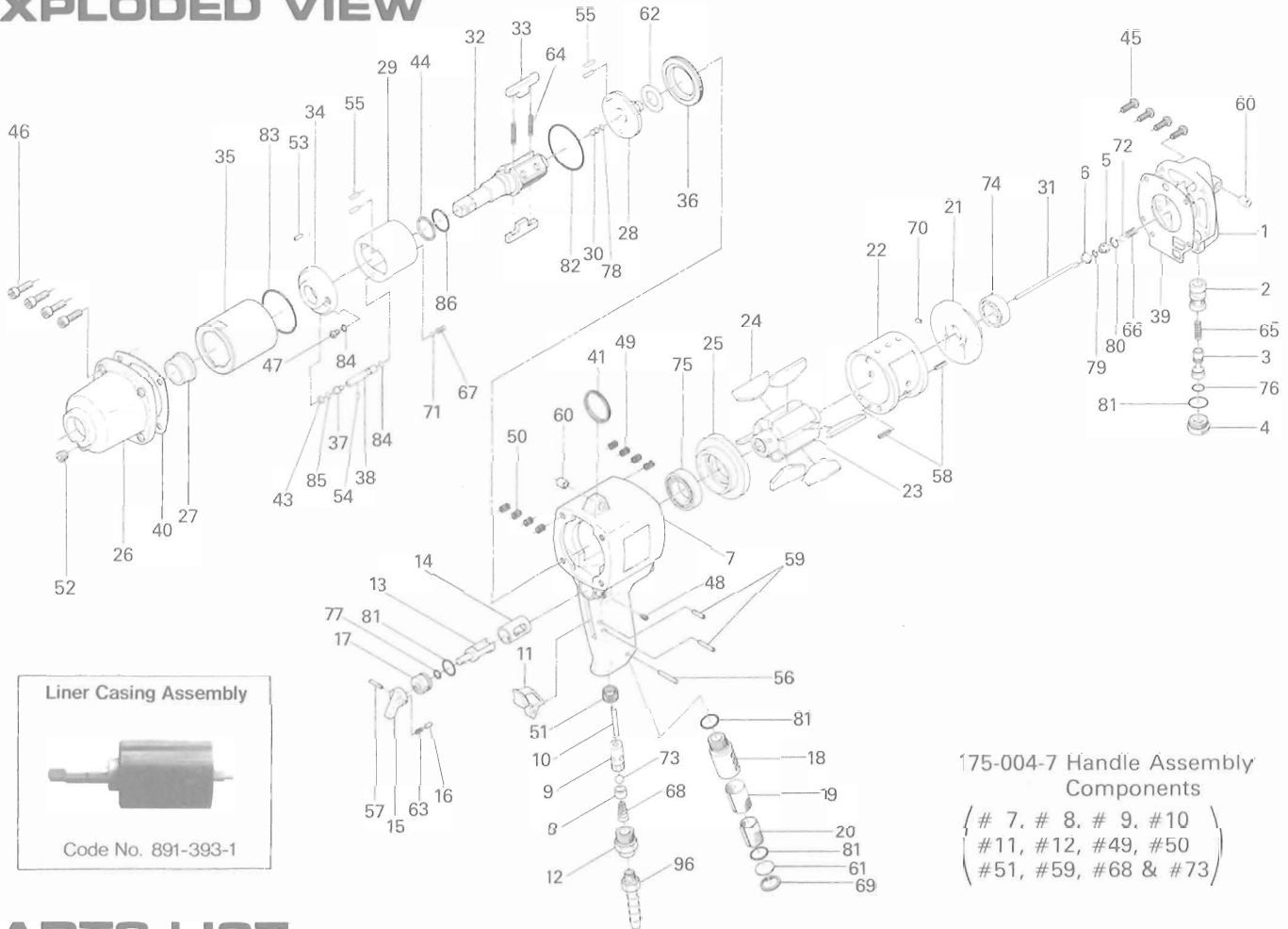


UX-T1000 OIL-PULSE WRENCH

EXPLODED VIEW



PARTS LIST

Index No.	Code No.	Parts Name	Quantity	Index No.	Code No.	Parts Name	Quantity	Index No.	Code No.	Parts Name	Quantity
# 1	175-012-7	Head Cover	1	#35	194-905-4	Liner Casing	1	#66	976-275-0	Spring (6.7×12)	1
# 2	175-253-7	Shut-Off Valve Bushing	1	#36	194-906-4	Liner Casing Setter	1	#67	977-011-0	Cone Spring (3.3×4.5×7.3)	1
# 3	175-254-7	Shut-Off Valve	1	#37	175-907-9	Relief Valve Spindle	1	#68	977-175-0	Cone Spring (7.5×10.3×22)	1
# 4	175-927-9	Shut-Off Valve Cover	1	#38	175-970-8	Relief Valve	1	#69	979-318-0	Inner Snap Ring (IRTW-18)	1
# 5	175-968-9	Pilot Valve Retainer	1	#39	152-853-3	Head Cover Packing	1	#70	980-008-0	Round Head Notch (2.4)	1
# 6	175-019-9	Valve Cover	1	#40	194-867-4	Front Casing Packing	1	#71	981-155-0	Ball (3.5)	1
# 7	175-025-7	Handle	1	#41	004-790-2	Suspension Ring	1	#72	981-006-0	Ball (1/4)	1
# 8	188-100-1	Valve	1	#43	944-205-0	Back-up Ring (5.1×7×1)	1	#73	981-208-0	Ball (5/16)	1
# 9	063-102-3	Valve Bushing	1	#44	944-215-0	Supporting Ring (16×19.9×1.5)	1	#74	982-403-0	Ball Bearing (EE-4)	1
#10	193-104-6	Valve Rod	1	#45	945-117-0	Allen Head Bolt (M5×16)	4	#75	982-951-0	Ball Bearing (16003)	1
#11	026-107-7	Throttle Trigger	1	#46	945-216-0	Allen Head Bolt (M6×16)	4	#76	990-004-0	O-Ring (P-6)	1
#12	185-091-7	Air Inlet Bushing	1	#47	945-942-0	Hexagon Round Head Bolt (M4×6)	1	#77	990-205-0	O-Ring (JW1516-5)	1
#13	199-210-1	Reverse Valve	1	#48	952-108-0	Allen Head Dog Point Screw (M4×8)	1	#78	990-320-0	O-Ring (APR-568-003)	1
#14	199-211-1	Reverse Valve Bushing	1	#49	965-011-0	Heli-Sert (M5×1.5D)	4	#79	990-901-0	O-Ring (SNS-3)	1
#15	023-212-4	Reverse Lever	1	#50	965-021-0	Heli-Sert (M6×1.5D)	4	#80	990-907-0	O-Ring (SNS-9)	1
#16	054-220-1	Reverse Lever Notch	1	#51	965-073-0	Heli-Sert (UNF5/8) (N6)	1	#81	990-914-0	O-Ring (SNS-16)	4
#17	187-222-1	Reverse Valve Setter	1	#52	966-100-0	Allen Head Plug (1/8)	1	#82	990-930-0	O-Ring (SNS-40)	1
#18	194-780-4	Exhaust Stack	1	#53	969-450-0	Pin (G) (3×8)	1	#83	990-932-0	O-Ring (SNS-42)	1
#19	194-042-4	Silencer	1	#54	970-093-0	Pin (H) (2×6)	1	#84	990-971-0	O-Ring (SNS-3) (NOK)	2
#20	194-835-4	Filter	1	#55	970-206-0	Pin (H) (3×8)	4	#85	990-972-0	O-Ring (SNS-4) (NOK)	1
#21	041-285-7	Rear Plate	1	#56	971-163-0	Pin (2.5×23)	1	#86	995-516-0	Teflon Seal (P-16)	1
#22	188-286-9	Cylinder	1	#57	973-016-0	Roll Pin (2×16)	1	#91	891-304-1	Socket Pin Assembly (1/2)	1
#23	175-287-7	Rotor	1	#58	973-108-0	Roll Pin (3×8)	2	ACCESSORIES			
#24	175-288-9	Blade (PC)	5	#59	973-116-0	Roll Pin (3×16)	2	#96	940-114-0	Air Hose Nipple (NPT1/4×3/8)	1
#25	194-289-4	Front Plate	1	#60	973-340-0	Roll Pin (6×10)	2	#97	939-104-0	Allen Wrench (5mm)	1
#26	194-439-4	Front Casing	1	#61	975-598-0	Round Plate (18×1)	1	#98	939-109-0	Allen Wrench (2mm)	1
#27	189-328-8	Anvil Bushing	1	#62	975-780-0	Adjusting Spacer (21×13×5t)	1				
#28	175-901-7	Rear Liner Plate	1	#63	976-025-0	Spring (3×8.5)	1				
#29	175-902-7	Liner	1	#64	976-453-0	Spring (4.5×34.5) WPC	2				
#30	175-546-9	Piston	1	#65	976-274-0	Spring (5.2×15)	1				
#31	175-130-7	Piston Rod	1								
#32	891-312-1	Anvil Assy. (OP-P)	1								
#33	194-440-4	Driving Blade	2								
#34	175-904-7	Front Liner Plate	1								

When ordering spare parts, please specify tool type, code number and part name.

Printed in Japan



URYU SEISAKU, LTD. Osaka, Japan

OKA-367-02-10-20-2005