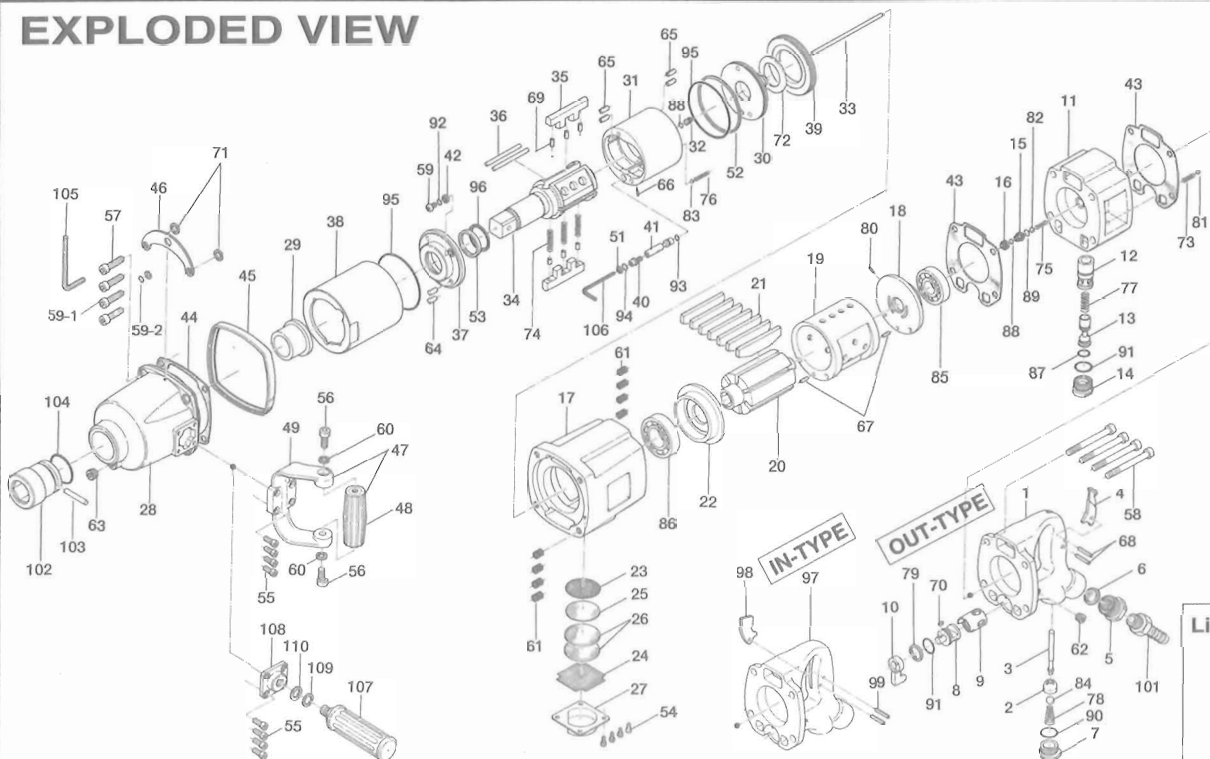


# UXR-T3000S OIL-PULSE WRENCH

## EXPLODED VIEW



Liner Casing Assembly



Code No. 170-911-0

## PARTS LIST

Index No.	Code No.	Part Name	Quantity	Index No.	Code No.	Part Name	Quantity	Index No.	Code No.	Part Name	Quantity
# 1	175-010-2	Handle (Out)	1	# 39	175-906-2	Liner Casing Setter	1	# 75	976-275-0	Spring (6.7x12x0.7)	1
# 2	116-100-0	Valve	1	# 40	173-907-3	Relief Valve Spindle	1	# 76	976-291-0	Spring (5.5x13.8x0.8)	1
# 3	116-104-0	Valve Rod	1	# 41	170-970-0	Relief Valve	1	# 77	976-297-0	Spring (10.5x32x1.0)	1
# 4	109-107-1	Valve Lever (Out)	1	# 42	188-807-1	Spacer	1	# 78	977-257-0	Cone Spring (10x15x25)	1
# 5	518-091-6	Air Inlet Bushing	1	# 43	175-850-2	Handle Packing	2	# 79	979-019-0	Inner Snap Ring (26)	1
# 6	573-835-9	Filter	1	# 44	175-867-2	Front Casing Packing	1	# 80	980-009-0	Round Head Notch (4)	1
# 7	103-243-0	Regulator Valve Cover	1	# 45	103-840-0	Casing Protector	1	# 81	981-005-0	Ball (7/32)	1
# 8	175-210-2	Reverse Valve	1	# 46	175-794-2	Suspension Plate	1	# 82	981-006-0	Ball (1/4)	1
# 9	175-211-2	Reverse Valve Bushing	1	# 47	116-896-0	Dead Handle Assembly	1	# 83	981-245-0	Ball (4.5)	1
# 10	103-212-0	Reverse Lever	1	# 48	116-720-0	Dead Handle	1	# 84	981-032-0	Polyurethane Ball (7/16)	1
# 11	170-026-0	Separator	1	# 49	116-722-0	Dead Handle Connector	1	# 85	982-205-0	Ball Bearing (6205)	1
# 12	170-253-0	Shut-Off Valve Bushing	1	# 51	944-208-0	Supporting Ring (8.1x10x1)	1	# 86	982-206-0	Ball Bearing (6206)	1
# 13	170-254-0	Shut-Off Valve	1	# 52	944-085-0	Supporting Ring (85x88x1)	1	# 87	990-011-0	O-Ring (P12)	1
# 14	170-927-0	Shut-Off Valve Cover	1	# 53	944-230-0	Supporting Ring (3.9x39.6x1.5)	1	# 88	990-901-0	O-Ring (SNS3)	2
# 15	175-968-9	Pilot Valve Retainer	1	# 54	945-008-0	Allen Head Bolt (M4x8)	4	# 89	990-907-0	O-Ring (SNS9)	1
# 16	175-019-9	Valve Cover	1	# 55	945-114-0	Allen Head Bolt (M5x14)	4	# 90	990-918-0	O-Ring (SNS20)	1
# 17	175-025-2	Casing	1	# 56	945-318-0	Allen Head Bolt (M8x18)	2	# 91	990-919-0	O-Ring (SNS22)	2
# 18	175-285-2	Rear Plate	1	# 57	945-330-0	Allen Head Bolt (M8x30)	2	# 92	990-949-0	O-Ring (P3-NOK)	1
# 19	175-286-2	Cylinder	1	# 58	945-379-0	Allen Head Bolt (M8x85)	4	# 93	990-974-0	O-Ring (SUS6-NOK)	1
# 20	170-287-0	Rotor	1	# 59	945-960-0	Hexagon Round Head Bolt (M6x8)	1	# 94	990-977-0	O-Ring (SNS7-NOK)	1
# 21	175-288-2	Blade	7	# 59-1	945-335-0	Allen Head Bolt (M8x35)	2	# 95	990-995-0	O-Ring (SNS80-NOK)	2
# 22	175-289-2	Front Plate	1	# 59-2	962-011-0	Spring Washer (2-8S)	2	# 96	995-501-0	Teflon Seal (AR10400-P34GC)	1
# 23	175-021-2	Exhaust Plate	1	# 60	961-014-0	Flat Washer (8)	2	# 97	175-010-3	Handle (IN)	1
# 24	175-042-2	Silencer	1	# 61	965-041-0	Heli-Sert (M8x1.5D)	8	# 98	085-107-1	Valve Lever (IN)	1
# 25	175-099-2	Noise Filter	1	# 62	966-100-0	Allen Head Plug (GM:1/8)	1	# 99	973-124-0	Roll Pin (3x24)	2
# 26	175-835-2	Filter	2	# 63	966-101-0	Allen Head Plug (GM:1/4)	1	<b>Accessories</b>			
# 27	175-782-2	Exhaust Cover	1	# 64	969-465-0	Pin (G) (6x12)	2	# 101	940-126-0	Air Hose Nipple (NPT1/2x1/2)	1
# 28	175-439-3	Front Casing	1	# 65	972-902-0	Roller (6x8)	4	# 102	900-512-0	Hexagon Socket 1SQ (46x70)	1
# 29	175-328-2	Anvil Bushing	1	# 66	972-009-0	Roller (2x9)	1	# 103	971-994-0	Pin (5x47)	1
# 30	170-901-0	Rear Liner Plate	1	# 67	973-214-0	Roll Pin (4x14)	2	# 104	990-294-0	O-Ring (JW30)	1
# 31	170-902-0	Liner	1	# 68	973-222-0	Roll Pin (4x22)	2	# 105	939-007-0	Allen Wrench (6)	1
# 32	173-546-3	Piston	1	# 69	973-308-0	Roll Pin (5x8)	6	# 106	939-111-0	Allen Wrench (3)	1
# 33	170-130-0	Operating Rod	1	# 70	974-008-0	Key (3x8)	1	# 107	568-720-2	Dead Handle (A)	1
# 34	175-319-2	Anvil	2	# 71	975-051-0	Spacer (14x10x1)	1	# 108	855-020-1	Dead Handle Plate	1
# 35	175-440-2	Driving Blade	2	# 72	975-863-1	Adjusting Spacer (40x25.1xt)	1	# 109	962-054-0	Spring Washer (2-1/2S)	1
# 36	175-974-2	Roller (4.4x72)	2	# 73	976-076-0	Spring (5x19x0.6)	1	# 110	975-127-0	Spacer (20x13x1)	1
# 37	170-904-0	Front Liner Plate	1	# 74	976-799-0	Spring (7.3x59x0.9)WPC	3				
# 38	175-905-2	Liner Casing	1								

When ordering spare parts, please specify tool type, code number and part name.

Printed in Japan



**URYU SEISAKU, LTD.** Osaka, Japan

OKA-441-01-04-27-2002