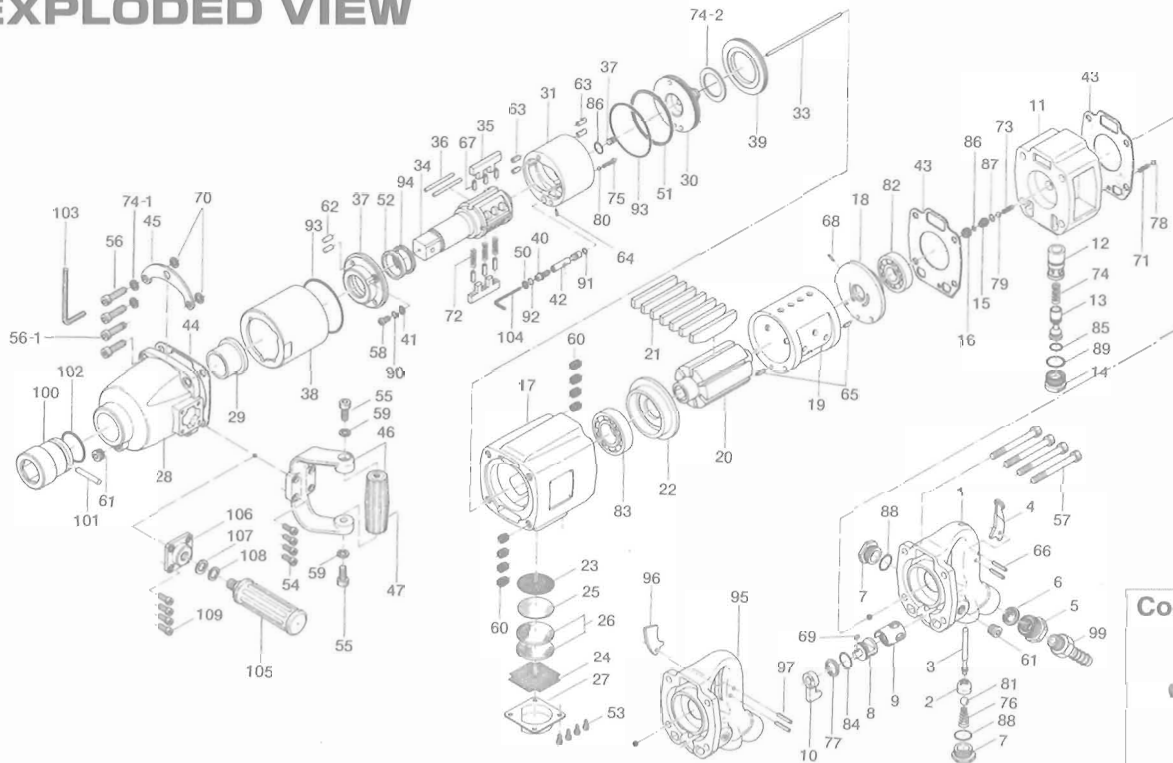


UXR-T2400S OIL-PULSE WRENCH

EXPLODED VIEW



Code No. 165-911-0



Liner Casing Assembly

PARTS LIST

Index No.	Code No.	Parts Name	Quantity	Index No.	Code No.	Parts Name	Quantity	Index No.	Code No.	Parts Name	Quantity
# 1	176-010-5	Handle (OUT)	1	#39	176-906-5	Liner Casing Setter	1	#74-2	975-863-0	Adjusting Spacer (4.0×25.1×t)	1
# 2	116-100-0	Valve	1	#40	173-907-3	Relief Valve Spindle	1	#75	977-035-0	Cone Spring (4.6×5.8×12.5)	1
# 3	116-104-0	Valve Rod	1	#41	188-807-1	Spacer	1	#76	977-257-0	Cone Spring (10x15x25)	1
# 4	109-107-1	Valve Lever (OUT)	1	#42	165-970-0	Relief Valve	1	#77	979-015-0	Inner Snap Ring (22)	1
# 5	518-091-6	Air Inlet Bushing	1	#43	103-850-0	Handle Packing	2	#78	981-005-0	Ball (7/32)	1
# 6	573-835-9	Filter	1	#44	176-867-5	Front Casing Packhg	1	#79	981-006-0	Ball (1/4)	1
# 7	103-243-0	Regulator Valve Cover	2	#45	176-794-5	Suspension Plate	1	#80	981-245-0	Ball (4.5mm)	1
# 8	176-210-5	Reverse Valve	1	#46	116-896-0	Dead Handle Assembly	1	#81	981-032-0	Polyurethane Ball (7'16)	1
# 9	176-211-5	Reverse Valve Bushing	1	#47	116-720-0	Dead Handle	1	#82	982-204-0	Ball Bearing (6204)	1
#10	103-212-0	Reverse Lever	1	#48	116-722-0	Dead Handle Connector	1	#83	982-206-0	Ball Bearing (6206)	1
#11	165-026-0	Separator	1	#50	944-208-0	Supporting Ring (8.1×10×t)	1	#84	990-916-0	O-Ring (SNS18)	1
#12	170-253-0	Shut-Off Valve Bushing	1	#51	944-077-0	Supporting Ring (77×80×t)	1	#85	990-011-0	O-Ring (P12)	1
#13	170-254-0	Shut-Off Valve	1	#52	944-230-0	Supporting Ring (33.9×39.6×1.5)	1	#86	990-901-0	O-Ring (SNS3)	2
#14	170-927-0	Shut-Off Valve Cover	1	#53	945-008-0	Allen Head Bolt (M4×8)	4	#87	990-907-0	O-Ring (SNS9)	1
#15	175-968-9	Pilot Valve Retainer	1	#54	945-114-0	Allen Head Bolt (M5×14)	4	#88	990-918-0	O-Ring (SNS20)	2
#16	175-019-9	Valve Cover	1	#55	945-318-0	Allen Head Bolt (M8×18)	2	#89	990-919-0	O-Ring (SNS22)	1
#17	176-025-5	Casing	1	#56	945-325-0	Allen Head Bolt (M8×25)	2	#90	990-949-0	O-Ring (P3-NOK)	1
#18	176-285-5	Rear Plate	1	#56-1	945-330-0	Allen Head Bolt (M8×30)	2	#91	990-973-0	O-Ring (SNS5-NOK)	1
#19	176-286-5	Cylinder	1	#57	945-378-0	Allen Head Bolt (M8×80)	4	#92	990-977-0	O-Ring (SNS7-NOK)	1
#20	165-287-0	Rotor	1	#58	945-960-0	Hexagon Round Head Bolt (M6×8)	1	#93	990-944-0	O-Ring (SNS75)	2
#21	176-288-5	Blade	7	#59	961-014-0	Flat Washer (8)	2	#94	995-501-0	Teflon Seal (ARI0400-P34GG)	1
#22	176-289-5	Front Plate	1	#60	965-041-0	Heli-Sert (M8×1.5D)	8	#95	176-010-9	Handle (IN)	1
#23	175-021-2	Exhaust Plate	1	#61	966-101-0	Allen Head Plug (1/4)	2	#96	085-107-1	Valve Lever (IN)	1
#24	175-042-2	Silencer	1	#62	969-465-0	Pin (G) (6×12)	2	#98	973-124-1	Roll Pin (3x24)	2
#25	175-099-2	Noise Filter	1	#63	970-508-0	Pin (H) (6×8)	4	ACCESSORIES			
#26	175-835-2	Filter	2	#64	972-009-0	Roller (2x9)	1	#99	940-126-0	Air Hose Nipple (NPT1/2×1/2)	1
#27	175-782-2	Exhaust Cover	1	#65	973-214-0	Roll Pin (4×14)	1	#100	900-483-0	Hexagon Socket (36×60)	1
#28	176-439-5	Front Casing	1	#66	973-222-0	Roll Pin (4×22)	2	#101	971-994-0	Pin (5×47)	1
#29	176-328-5	Anvil Bushing	1	#67	973-308-0	Roll Pin (5×8)	6	#102	990-294-0	O-Ring (JW30)	1
#30	165-901-0	Rear Liner Plate	1	#68	973-108-0	Roll Pin (3×8)	1	#103	939-007-0	Allen Wrench (6)	1
#31	165-902-0	Liner	1	#69	974-008-0	Key (3×8)	1	#104	939-111-0	Allen Wrench (3)	1
#32	173-546-3	Piston	1	#70	975-051-0	Spacer (14×10×1)	2	#105	568-720-2	Dead Handle (A)	1
#33	165-130-0	Operating Rod	1	#71	976-076-0	Spring (5×19×0.6)	1	#106	855-020-1	Dead Handle Plate	1
#34	176-319-5	Anvil	1	#72	976-798-0	Spring (7.3×56×0.9) WPC	3	#107	962-054-0	Spring Washer (2-1/2S)	1
#35	176-440-5	Driving Blade	2	#73	976-275-0	Spring (6.7×12×0.7)	1	#108	975-127-0	Spacer (20×13×1)	1
#36	176-974-5	Roller (4.4×55)	2	#74	976-297-0	Spring (10.5×32×1.0)	1	#109	945-114-0	Allen Head Bolt (M5×14)	4
#37	135-904-0	Front Liner Plate	1	#74-1	962-011-0	Spring Washer (2-8S)	2				
#38	176-905-5	Liner Casing	1								

When ordering spare parts, please specify tool type, code number and parts name.

Printed in Japan



UR YU SEISAKU, LTD. Osaka, Japan

OKA-438-02-10-25-2002