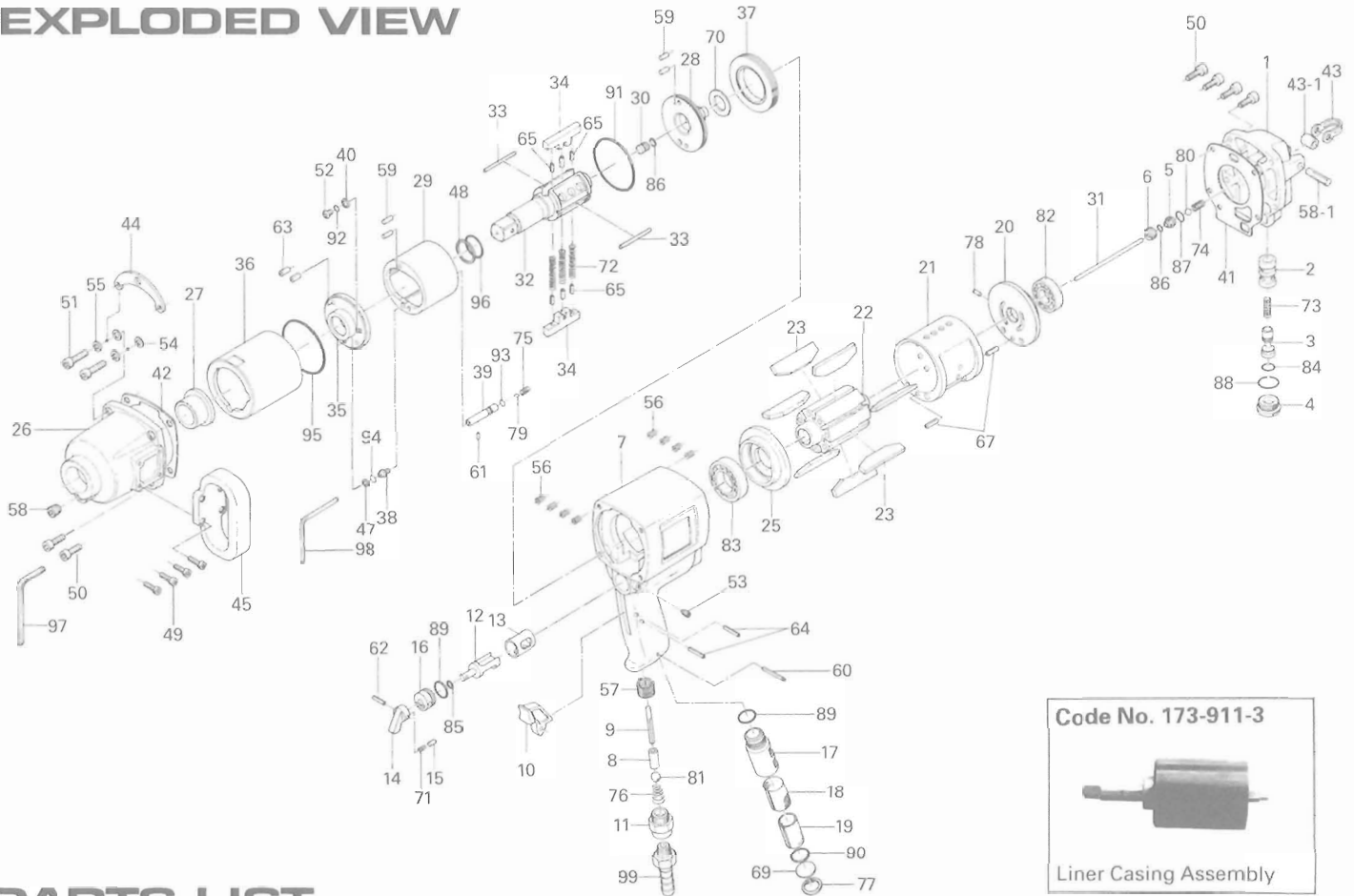


UXR-T2000 OIL-PULSE WRENCH

EXPLODED VIEW



PARTS LIST

Index No.	Code No.	Parts Name	Quantity	Index No.	Code No.	Parts Name	Quantity	Index No.	Code No.	Parts Name	Quantity
# 1	173-012-3	Head Cover	1	#37	194-906-8	Liner Casing Setter	1	#69	975-603-0	Round Plate (24×1)	1
# 2	173-253-3	Shut-Off Valve Bushing	1	#38	173-907-3	Relief Valve Spindle	1	#70	975-828-0	Adjusting Spacer (34×22×T)	1
# 3	173-254-3	Shut-Off Valve	1	#39	173-970-3	Relief Valve	1	#71	976-025-0	Spring (3×8.5)	1
# 4	175-927-9	Shut-Off Valve Cover	1	#40	188-807-1	Spacer	1	#72	976-797-0	Spring (6.35×45.5)WPC	3
# 5	175-968-9	Pilot Valve Retainer	1	#41	173-853-3	Head Cover Packing	1	#73	976-231-0	Spring (9×27.5)	1
# 6	175-019-9	Valve Cover	1	#42	194-867-8	Front Packing	1	#74	976-275-0	Spring (6.7×12)	1
# 7	173-025-4	Handle	1	#43	195-790-9	Suspension Ring	1	#75	976-291-0	Spring (5.5×13.8) (0.8)	1
# 8	087-103-1	Valve Rod Bushing	1	#43-1	173-796-3	Suspension Bushing	1	#76	977-256-0	Cone Spring (10×15×22)	1
# 9	173-104-3	Valve Rod	1	#44	194-794-8	Suspension Plate	1	#77	979-017-0	Inner Snap Ring (24)	1
#10	026-107-7	Throttle Trigger	1	#45	090-721-1	Dead Handle	1	#78	980-009-0	Round Head Notch (4)	1
#11	194-091-8	Air Inlet Bushing	1	#47	944-208-0	Supporting Ring (8.1×10×1)	1	#79	981-245-0	Ball (4.5MM)	1
#12	194-210-8	Reverse Valve	1	#48	944-225-0	Supporting Ring (25.2×29.4×1.5)	1	#80	981-006-0	Ball (1/4)	1
#13	194-211-8	Reverse Valve Bushing	1					#81	981-032-0	Ball (7/16)	1
#14	023-212-4	Reverse Lever	1	#49	945-112-0	Allen Head Bolt (M5×12)	4	#82	982-203-0	Ball Bearing (6203)	1
#15	054-220-1	Reverse Lever Notch	1	#50	945-220-0	Allen Head Bolt (M6×20)	6	#83	982-960-0	Ball Bearing (60/28)	1
#16	194-222-8	Reverse Valve Setter	1	#51	945-225-0	Allen Head Bolt (M6×25)	2	#84	990-007-0	O-Ring (P9)	1
#17	194-780-8	Exhaust Stack	1	#52	945-960-0	Hexagon Round Head Bolt (M6×8)	1	#85	990-205-0	O-Ring (JW1516-5)	1
#18	194-042-8	Silencer	1					#86	990-901-0	O-Ring (SNS-3)	2
#19	194-835-8	Filter	1	#53	952-210-0	Allen Head Dog Point Screw (M5×10)	1	#87	990-907-0	O-Ring (SNS-9)	1
#20	194-285-9	Rear Plate	1	#54	961-013-0	Flat Washer (6MM)	2	#88	990-914-0	O-Ring (SNS-16)	1
#21	194-286-8	Cylinder	1	#55	962-078-0	Spring Washer (6.3×9.5×1.5)	2	#89	990-918-0	O-Ring (SNS-20)	2
#22	180-287-0	Rotor	1	#56	965-021-0	Heli-Sert (M6×1.5D)	8	#90	990-919-0	O-Ring (SNS-22)	1
#23	194-288-8	Blade	7	#57	965-120-0	Heli-Sert (M20×1D)	1	#91	990-943-0	O-Ring (SNS-63)	1
#25	194-289-8	Front Plate	1	#58	966-101-0	Allen Head Plug (1/4)	1	#92	990-949-0	O-Ring (P3) (NOK)	1
#26	194-439-8	Front Casing	1	#58-1	969-481-0	Pin (G) (8×45)	1	#93	990-973-0	O-Ring (SNS-5) (NOK)	1
#27	194-328-8	Anvil Bushing	1	#59	970-408-0	Pin (H) (5×8)	4	#94	990-977-0	O-Ring (SNS-7) (NOK)	1
#28	173-901-3	Rear Liner Plate	1	#60	971-166-0	Pin (2.5×26)	1	#95	990-990-0	O-Ring (SNS-65)	1
#29	173-902-3	Liner	1	#61	972-008-0	Roller Pin (2×8)	1	#96	995-500-0	Teflon Seal (120)	1
#30	173-546-3	Piston	1	#62	973-016-0	Roll Pin (2×16)	1				
#31	173-130-3	Piston Rod	1	#63	969-408-0	Pin (B) (5×10)	2				
#32	176-319-0	Anvil	1	#64	973-118-0	Roll Pin (3×18)	2				
#33	176-974-5	Roller (4.4×55)	2	#65	973-208-0	Roll Pin (4×8)	6				
#34	194-440-9	Driving Blade	2	#67	973-316-0	Roll Pin (5×16)	2				
#35	173-904-3	Front Liner Plate	1								
#36	194-905-8	Liner Casing	1								
ACCESSORIES											
	#97	939-007-0	Allen Wrench (6MM)	1							
	#98	939-110-0	Allen Wrench (3) (80×80)	1							
	#99	940-125-0	Air House Nipple (NPT3/8×1/2)	1							

When ordering spare parts, please specify tool type, code number and part name.

Printed in Japan



URYU SEISAKU, LTD. Osaka, Japan

OKA-378-02-10-25-2003