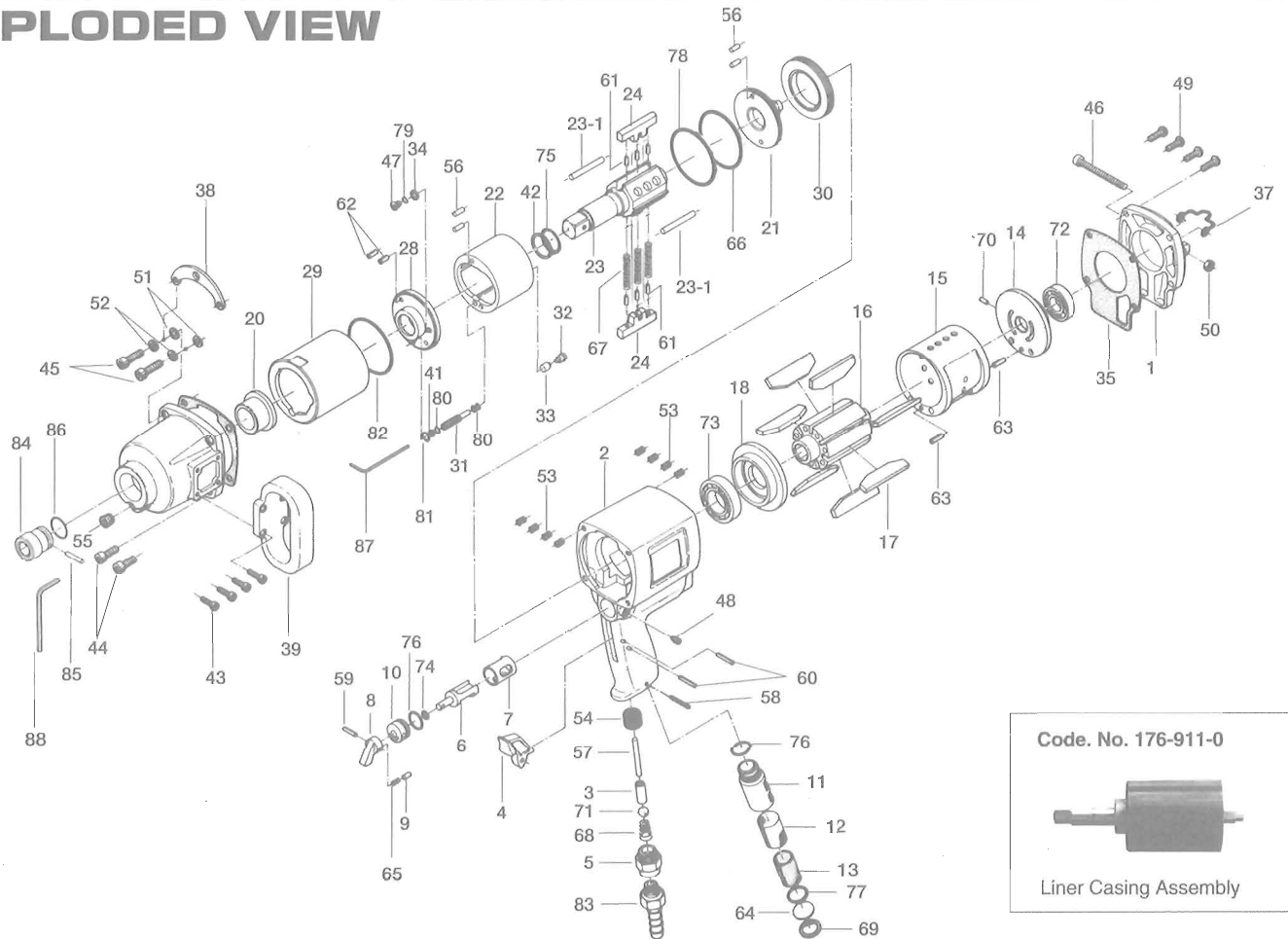


UXR-2000 OIL-PULSE WRENCH

EXPLODED VIEW



PARTS LIST

Index. No.	Code No.	Parts Name	Quantity	Index. No.	Code No.	Parts Name	Quantity	Index. No.	Code No.	Parts Name	Quantity
# 1	194-012-8	Head Cover	1	# 36	194-867-8	Front Packing	1	# 65	976-025-0	Spring (3×8.5)	1
# 2	194-025-1	Handle	1	# 37	194-790-8	Suspension Bail	1	# 66	944-067-0	Supporting Ring (67×70×1)	1
# 3	087-103-1	Valve Rod Bushing	1	# 38	194-794-8	Suspension Plate	1	# 67	976-797-0	Spring (6.35×45.5) WPC	3
# 4	026-107-7	Throttle Trigger	1	# 39	090-721-1	Dead Handle	1	# 68	977-282-0	Cone Spring (11.5×14.5×18)	1
# 5	194-091-8	Air Inlet Bushing	1	# 41	944-005-0	Supporter Ring (4.2×6×1)	2	# 69	979-017-0	Inner Snap Ring (24)	1
# 6	194-210-8	Reverse Valve	1	# 42	944-225-0	Supporter Ring (25.2×29.4×1.5)	1	# 70	980-009-0	Round Head Notch (4)	1
# 7	194-211-8	Reverse Valve Bushing	1	# 43	945-112-0	Allen Head Bolt (M5×12)	4	# 71	981-032-0	Ball(7/16)	1
# 8	023-212-4	Reverse Lever	1	# 44	945-220-0	Allen Head Bolt (M6×20)	2	# 72	982-203-0	Ball Bearing (6203)	1
# 9	054-220-1	Reverse Lever Notch	1	# 45	945-225-0	Allen Head Bolt (M6×25)	2	# 73	982-960-0	Ball Bearing (60/28)	1
# 10	194-222-8	Reverse Lever Setter	1	# 46	945-265-0	Allen Head Bolt (M6×65)	1	# 74	990-205-0	O-Ring (JW1516-5)	1
# 11	194-780-8	Exhaust Stack	1	# 47	945-960-0	Hexagon Round Head Bolt (M6×8)	1	# 75	995-500-0	Teflon Seal (AR10400-12Gc)	1
# 12	194-042-8	Silencer	1	# 48	952-210-0	Allen Head Dog Point Screw (M5×10)	1	# 76	990-918-0	O-Ring (SNS-20)	2
# 13	194-835-8	Filter	1	# 49	945-965-0	Hex Round Head Bolt (M6×20)	4	# 77	990-919-0	O-Ring (SNS-22)	1
# 14	194-285-9	Rear Plate	1	# 50	960-804-0	U-Nut (M6)	1	# 78	990-943-0	O-Ring (SNS-63)	1
# 15	194-286-8	Cylinder	1	# 51	961-013-0	Flat Washer (6mm)	2	# 79	990-949-0	O-Ring (P-3) (NOK)	1
# 16	194-287-8	Rotor	1	# 52	962-078-0	Spring Washer (6.3×9.5×1.5)	2	# 80	990-972-0	O-Ring (SNS-4) (NOK)	2
# 17	194-288-8	Blade	7	# 53	965-021-0	Heli-Sert (M6×1.5D)	8	# 81	990-975-0	O-Ring (SNS-8) (NOK)	1
# 18	194-289-8	Front Plate	1	# 54	965-120-0	Heli-Sert (M20×1D)	1	# 82	990-990-0	O-Ring (SNS-65)	1
# 19	194-439-8	Front Casing	1	# 55	966-101-0	Allen Head Plug (1/4)	1	ACCESSORIES			
# 20	194-328-8	Anvil Bushing	1	# 56	970-408-0	Pin (H) (5×8)	4	# 83	940-125-0	Air Hose Nipple (NPT3/8×1/2)	1
# 21	194-901-8	Rear Liner Plate	1	# 57	970-452-0	Pin (H) (5×51.5)	1	# 84	900-390-0	Hexagon Socket 3/4SQ (35×57)	1
# 22	194-902-8	Liner	1	# 58	971-166-0	Pin (2.5×26)	1	# 85	971-993-0	Pin (4×33)	1
# 23	176-319-0	Anvil	1	# 59	973-016-0	Roll Pin (2×16)	1	# 86	990-293-0	O-Ring (JW23)	1
# 23-1	176-974-5	Roller(4.4×55)	2	# 60	973-118-0	Roll Pin (3×18)	2	# 87	939-111-0	Allen Wrench (6) (125×60)	1
# 24	194-440-9	Driving Blade	2	# 61	973-208-0	Roll Pin (4×8)	6	# 88	939-007-0	Allen Wrench (6)	1
# 28	176-904-0	Front Liner Plate	1	# 62	969-408-0	Pin (B) (5×10)	2				
# 29	194-905-8	Liner Casing	1	# 63	973-316-0	Roll Pin (5×16)	2				
# 30	194-906-8	Liner Casing Setter	1	# 64	975-603-0	Round Plate (24×1)	1				
# 31	194-907-8	Relief Valve Spindle	1								
# 32	194-969-9	Relief Valve Plug	1								
# 33	194-970-8	Relief Valve	1								
# 34	188-807-1	Spacer	1								
# 35	194-853-8	Rear Packing	1								

When ordering spare parts, please specify tool type, code number and parts name.

Printed in Japan



URYU SEISAKU, LTD. Osaka, Japan

OKA-375-00-05-15-2003