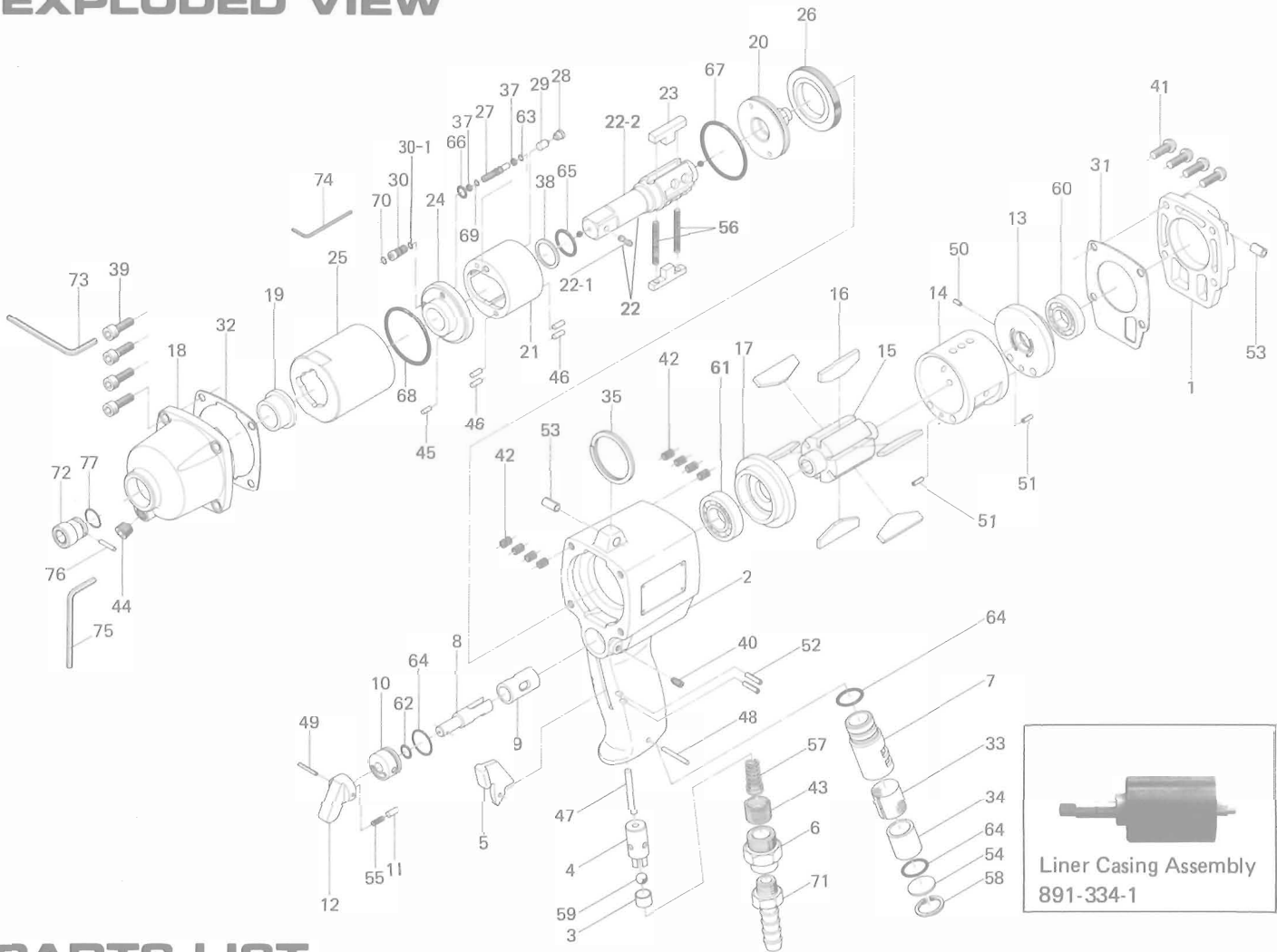


UX-900 OIL-PULSE WRENCH

EXPLODED VIEW



PARTS LIST

Index No.	Code No.	Part Name	Quantity	Index No.	Code No.	Part Name	Quantity	Index No.	Code No.	Part Name	Quantity
# 1	194-012-3	Head Cover	1	#30	194-742-3	Oil Plug	1	#55	976-025-0	Spring (3x8.5)	1
# 2	194-025-3	Handle	1	#30-1	944-003-0	Supporting Ring (3.0x5.0x1)	1	#56	976-794-0	Spring (3.8x33) (0.5) WPC 2	1
# 3	188-100-1	Valve	1	#31	194-853-3	Head Cover Packing	1	#57	977-175-0	Cone Spring (7.5x10.3x22)	1
# 4	063-102-3	Valve Bushing	1	#32	194-867-3	Front Casing Packing	1	#58	979-318-0	Inner Snap Ring (IRTW-18)	1
# 5	187-107-1	Valve Lever	1	#33	194-042-4	Silencer	1	#59	981-208-0	Ball (5/16)	1
# 6	185-091-7	Air Inlet Bushing	1	#34	174-780-3	Filter	1	#60	982-403-0	Ball Bearing (EE-4)	1
# 7	194-780-4	Exhaust Stack	1	#35	004-790-2	Suspension Ring	1	#61	982-950-0	Ball Bearing (16002)	1
# 8	187-210-1	Reverse Valve	1	#37	944-002-0	Supporting Ring (2.6x4.5x1)	2	#62	990-205-0	O-Ring (JW1516-5)	1
# 9	185-211-1	Reverse Valve Bushing	1	#38	944-215-0	Supporting Ring (16x19.9x1.5)	1	#63	990-320-0	O-Ring (ARP-568-003)	1
#10	187-222-1	Reverse Valve Setter	1	#39	945-117-0	Allen Head Bolt (M5x16)	4	#64	990-914-0	O-Ring (SNS-16)	3
#11	054-220-1	Reverse Lever Notch	1	#40	952-108-0	Allen Head Dog Point Screw (M4x8)	1	#65	990-156-0	O-Ring (P-16) (NTN)	1
#12	023-212-4	Reverse Lever	1	#41	945-955-0	Hex Round Head Bolt (M5x16)	4	#66	990-973-0	O-Ring (SNS-5) (NOK)	1
#13	194-285-3	Rear Plate	1	#42	965-011-0	Heli-Sert (M5x1.5D)	8	#67	990-607-0	O-Ring (34x2.3)	1
#14	194-286-3	Cylinder	1	#43	965-073-0	Heli-Sert (UNF5/8xN6)	1	#68	990-338-0	O-Ring (JW1530-28)	1
#15	194-287-3	Motor	1	#44	966-100-0	Allen Head Plug (PT1/8)	1	#69	990-900-0	O-Ring (SNS-2)	1
#16	168-288-6	Blade (PC)	6	#45	969-450-0	Pin (G) (3x8)	1	#70	990-970-0	O-Ring (SNS-2) (NOK)	1
#17	194-289-3	Front Plate	1	#46	970-206-0	Pin (H) (3x8)	4	ACCESSORIES			
#18	194-439-3	Front Casing	1	#47	970-337-0	Pin (H) (4x36)	1	#71	940-114-0	Air Hose Nipple (NPT1/4x3/8)	1
#19	188-328-2	Anvil Bushing	1	#48	971-163-0	Pin (2.5x23)	1	#72	900-153-0	Hexagon Socket (1/2SQ 17x31)	1
#20	194-901-3	Rear Liner Plate	1	#49	973-016-0	Roll Pin (2x16)	1	#73	939-105-0	Allen Wrench (4MM)	1
#21	194-902-3	Liner	1	#50	973-066-0	Roll Pin (2.5x6)	1	#74	939-109-0	Allen Wrench (2MM) (64x64)	1
#22	891-311-1	Anvil (OP-P)	1	#51	973-108-0	Roll Pin (3x8)	2	#75	939-104-0	Allen Wrench (5MM)	1
#22-1	891-304-1	Socket Retainer Pin Assy	1	#52	973-114-0	Roll Pin (3x14)	2	#76	971-991-0	Pin (3.2x2.4)	1
#22-2	194-319-3	Anvil (O)	1	#53	973-340-0	Roll Pin (6x10)	2	#77	990-291-0	O-Ring (JW17)	1
#23	194-440-3	Driving Blade	2	#54	975-598-0	Round Plate (18x1)	1				
#24	194-904-3	Front,Liner Plate	1								
#25	194-905-3	Liner Casing	1								
#26	194-906-3	Liner Casing Setter	1								
#27	194-907-3	Relief Valve Spindle	1								
#28	194-969-2	Relief Valve Plug	1								
#29	194-970-2	Relief Valve	1								

When ordering spare parts, please specify tool type, code number and part name.

Printed in Japan



URYU SEISAKU, LTD. Osaka, Japan

OKA-314-02-05-10-2007