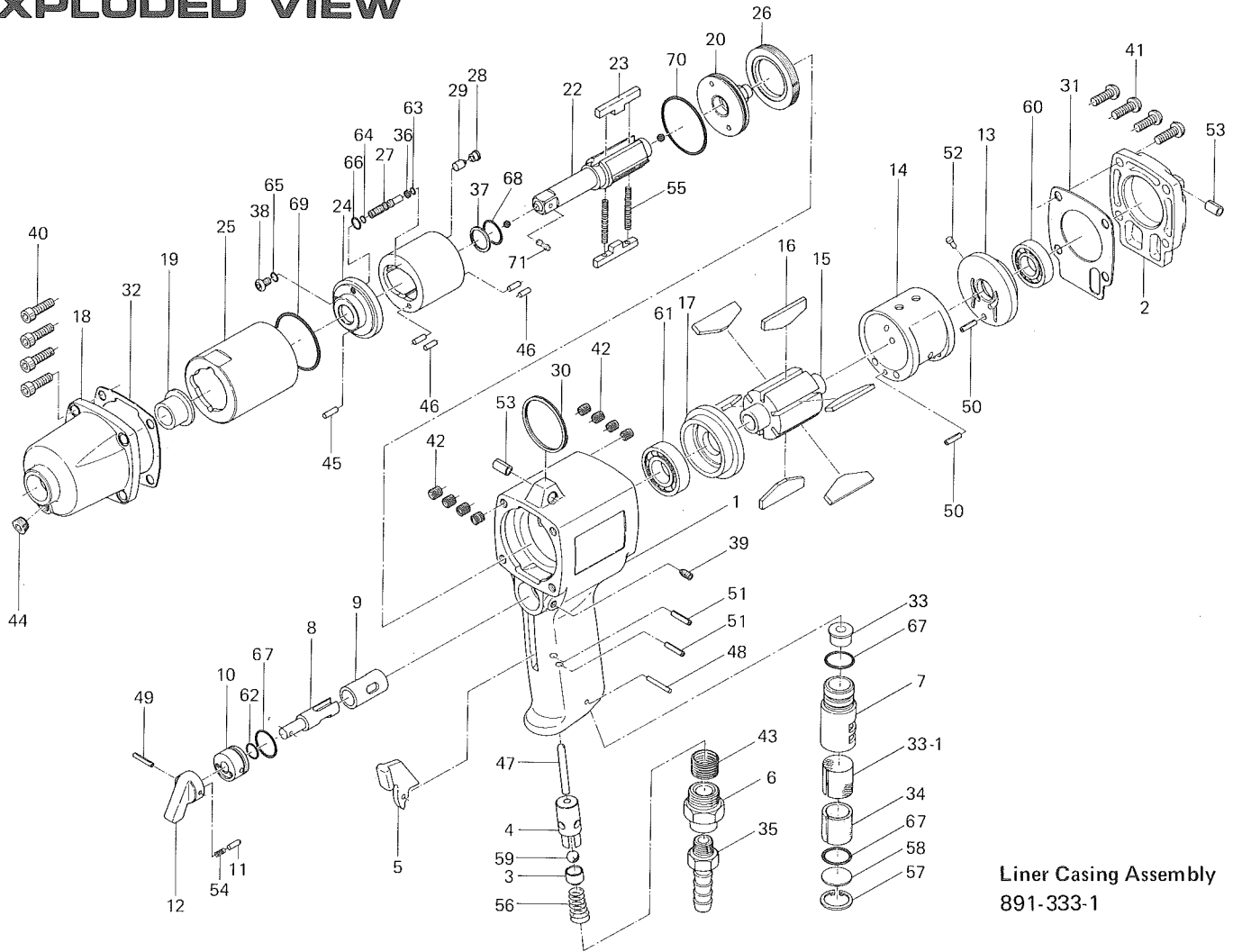


UX-800 UX-Wrench

EXPLODED VIEW



Liner Casing Assembly
891-333-1

PARTS LIST

Index No.	Code No.	Part Name	Quantity	Index No.	Code No.	Part Name	Quantity	Index No.	Code No.	Part Name	Quantity
# 1	194-025-2	Handle	1	#30	004-790-2	Suspension Ring	1	#54	976-025-0	Spring (3x8.5)	1
# 2	194-012-2	Head Cover	1	#31	194-853-2	Head Cover Packing	1	#55	976-202-0	Spring (3.7x30)	2
# 3	186-100-1	Valve	1	#32	194-867-2	Front Casing Packing	1	#56	977-175-0	Cone Spring (7.5x10.3x22)	2
# 4	063-102-3	Valve Bushing	1	#33	194-781-2	Exhaust Stack Bushing	1	#57	979-011-0	Inner Snap Ring (18)	1
# 5	187-107-1	Valve Lever	1	#33-1	194-042-4	Silencer	1	#58	975-598-0	Round Plate (18x1)	1
# 6	185-091-7	Air Inlet Bushing	1	#34	611-780-7	Filter	1	#59	981-208-0	Ball (5/16)	1
# 7	194-780-4	Exhaust Stack	1	#36	944-002-0	Supporter Ring (2.6x4.5x1)	2	#60	982-403-0	Ball Bearing (EE-4)	1
# 8	187-210-1	Reverse Valve	1	#37	944-214-0	Supporter Ring (12x15.9x1.5)	1	#61	982-950-0	Ball Bearing (16002)	1
# 9	185-211-1	Reverse Valve Bushing	1	#38	945-942-0	Hexagon Round Head Bolt (M4x6)	1	#62	990-205-0	O-Ring (JW1516-5)	1
#10	187-222-1	Reverse Valve Setter	1	#39	952-108-0	Allen Head Dog Point Screw (M4x8)	1	#63	990-320-0	O-Ring (ARP-568-003)	1
#11	054-220-1	Reverse Lever Notch	1	#40	945-116-0	Allen Head Bolt (M5x16)	4	#64	990-900-0	O-Ring (SNS-2)	1
#12	023-212-4	Reverse Lever	1	#41	945-954-0	Hex Round Head Bolt (M5x16)	4	#65	990-971-0	O-Ring (SNS-3)	1
#13	018-285-7	Rear Plate	1	#42	965-011-0	Heli-Sert (M5x1.5D)	8	#66	990-973-0	O-Ring (SNS-5) (NOK)	1
#14	018-286-7	Cylinder	1	#43	965-071-0	Heli-Sert (UNF5/8x1D)	1	#67	990-914-0	O-Ring (SNS-16)	3
#15	194-287-2	Rotor	1	#44	966-100-0	Allen Head Plug (PT1/8)	1	#68	990-955-0	O-Ring (P-12) (NOK)	1
#16	194-288-2	Blade	6	#45	969-450-0	Pin (G) (3x8)	1	#69	990-337-0	O-Ring (JW1530-27)	1
#17	194-289-2	Front Plate	1	#46	970-206-0	Pin (H) (3x8)	4	#70	990-924-0	O-Ring (SNS-30)	1
#18	194-439-2	Front Casing	1	#47	970-337-0	Pin (H) (4x36)	1	#71	891-300-1	Socket Retainer Pin Assy	1
#19	185-328-2	Anvil Bushing	1	#48	971-163-0	Pin (H) (2.5x23)	1	ACCESSORIES			
#20	194-901-2	Rear Liner Plate	1	#49	973-016-0	Roll Pin (2x16)	1	940-114-0	Air Hose Nipple (NPT1/4x3/8)	1	
#21	194-902-2	Liner	1	#50	973-112-0	Roll Pin (3x12)	2	900-075-0	Hexagon Socket (3/8SO 17x25)	1	
#22	891-310-1	Anvil (OP-P)	1	#51	973-114-0	Roll Pin (3x14)	2	939-104-0	Allen Wrench (5MM)	1	
#23	194-440-2	Driving Blade	2	#52	980-008-0	Round Head Notch (2.4)	1	939-109-0	Allen Wrench (2MM) (64x64)	1	
#24	194-904-2	Front Liner Plate	1	#53	973-340-0	Roll Pin (6x10)	2	939-105-0	Allen Wrench (4MM)	1	
#25	194-905-2	Liner Casing	1								
#26	194-906-2	Liner Casing Cover	1								
#27	194-907-2	Relief Valve Spindle	1								
#28	194-969-2	Relief Valve Plug	1								
#29	194-970-2	Relief Valve	1								

When ordering spare parts, please specify tool type, code number and part name.

Printed in Japan

URYU SEISAKU, LTD. Osaka, Japan