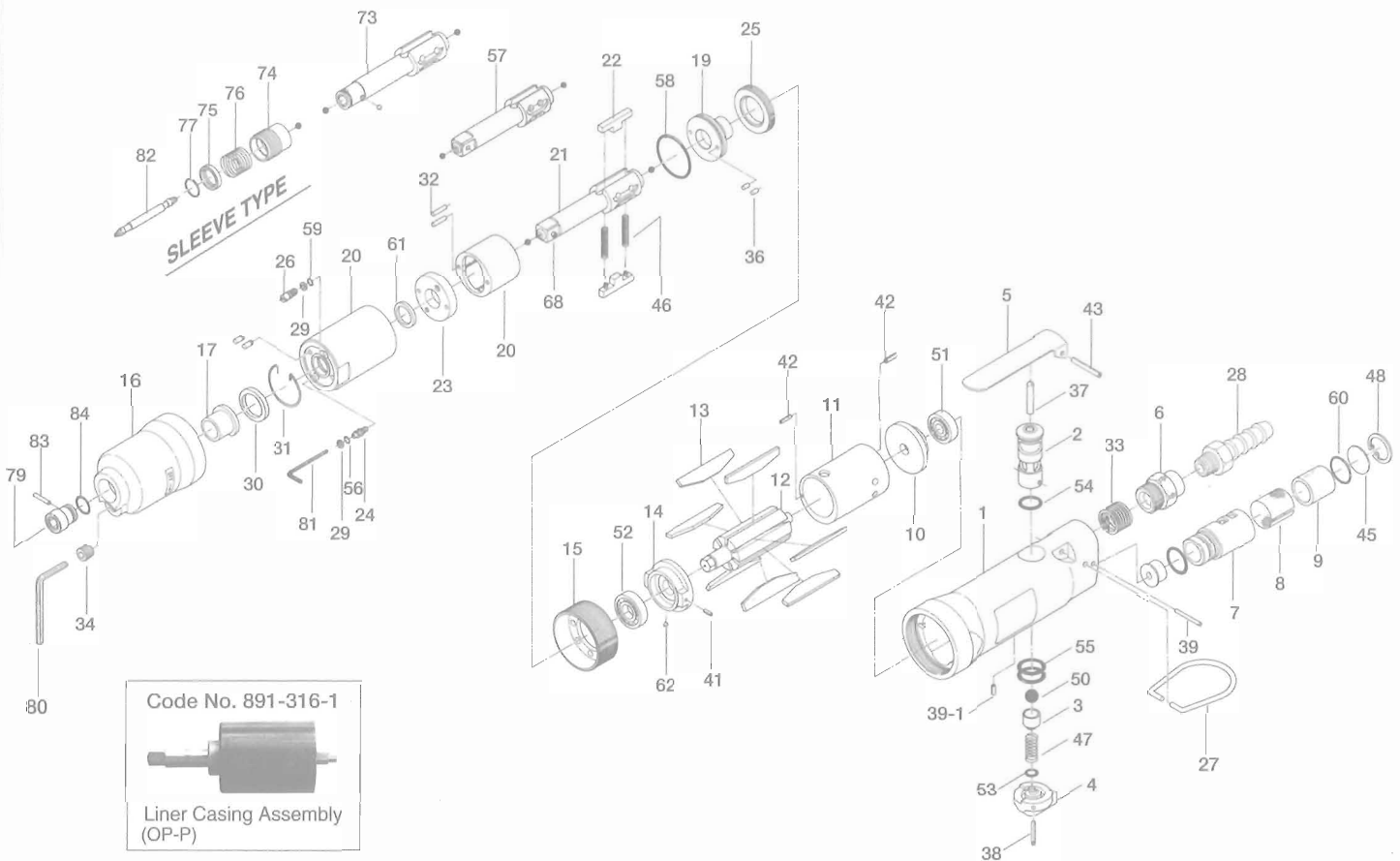


UX-612S(D) OIL-PULSE WRENCHES

EXPLODED VIEW



PARTS LIST

Index. No.	Code No.	Parts Name	Quantity	Index. No.	Code No.	Parts Name	Quantity	Index. No.	Code No.	Parts Name	Quantity
# 1	179-025-0	Casing	1	# 31	978-282-0	Snap Ring (28×1.0)	1	PARTS FOR UX-612S			
# 2	180-210-2	Reverse Valve	1	# 32	970-135-0	Pin (H) (2.45×11)	2	# 21	891-316-1	Anvil(OP-P) Assy.	1
# 3	180-100-2	Valve	1	# 33	965-073-0	Heli-Sert (UNF5/8×N6)	1	# 68	891-300-1	Socket Retainer Pin Assy	1
# 4	180-212-2	Reverse Lever	1	# 34	966-099-0	Allen Head Plug (NPT1/16)	1	PARTS FOR UX-612SD			
# 5	500-107-1	Valve Lever	1	# 36	970-130-0	Pin (H) (2.45×4.5)	2	# 73	178-350-0	Driver Anvil	1
# 6	180-091-6	Air Inlet Bushing	1	# 37	970-326-0	Pin (H) (4×25)	1	# 74	011-351-1	Bit Sleeve	1
# 7	194-780-4	Exhaust Stack	1	# 38	973-022-0	Roll Pin (2×22)	1	# 75	011-352-1	Bit Spacer	1
# 7-1	190-781-6	Exhaust Stack Bushing	1	# 39	971-163-0	Pin (2.5×23)	1	# 76	976-327-0	Spring (13.5×11)	1
# 8	194-042-4	Silencer	1	# 39-1	973-005-0	Roll Pin (2×5)	1	# 77	978-117-0	Snap Ring (11.7×1.0)	1
# 9	611-780-7	Filter	1	# 41	973-006-0	Roll Pin (2×6)	1	# 78	981-002-0	Ball(1/8)	1
# 10	180-285-2	Rear Plate	1	# 42	973-008-0	Roll Pin (2×8)	2	ACCESSORIES			
# 11	180-286-2	Cylinder	1	# 43	973-124-0	Roll Pin (3×24)	1	# 28	940-114-0	Air Hose Nipple (NPT1/4×3/8)	1
# 12	196-287-4	Rotor	1	# 45	975-598-0	Round Plate(18×1)	1	# 79	900-028-0	Hexagon Socket (10×19)	1
# 13	150-288-9	Rotor Blade (PC)	7	# 46	976-791-0	Spring (3.3×21) WPC	2	# 80	939-105-0	Allen Wrench (4MM)	1
# 14	182-289-2	Front Plate	1	# 47	976-147-0	Spring (7×12)	1	# 81	939-091-0	Allen Wrench (1.5) (80×20)	1
# 15	177-036-5	Hammer Casing Connector	1	# 48	979-318-0	Inner Snap Ring (IRTW-18)	1	# 82	916-810-0	(+) Double Bit (No.2×75)	1
# 16	178-439-8	Front Casing	1	# 50	981-208-0	Ball (5/16)	1	# 83	971-990-0	Pin (3×16.5)	1
# 17	190-328-6	Anvil Bushing	1	# 51	982-401-0	Ball Bearing (EE-2)	1	# 84	990-290-0	O-Ring (JW12)	1
# 18	178-905-9	Liner Casing	1	# 52	982-402-0	Ball Bearing (EE-3)	1				
# 19	196-901-4	Rear Liner Plate	1	# 53	990-322-0	O-Ring (ARP-568-107)	1				
# 20	190-902-6	Liner	1	# 54	990-008-0	O-Ring (P10)	1				
# 22	190-440-6	Driving Blade	2	# 55	990-014-0	O-Ring (P14)	2				
# 23	178-904-8	Front Liner Plate	1	# 56	990-320-0	O-Ring (ARP-568-003)	2				
# 24	174-907-8	Relief Valve Spindle	1	# 57	178-319-8	Anvil(OP-D)	1				
# 25	190-906-6	Liner Casing Cover	1	# 58	990-329-0	O-Ring (JW1530-19)	1				
# 26	178-742-0	Oil Plug	1	# 60	990-914-0	O-Ring (SNS-16)	2				
# 27	010-790-1	Suspension Ring	1	# 61	995-512-0	Teflon Seal (P12)	1				
# 29	944-002-0	Supporting Ring (2.6×4.5×1)	2	# 62	981-045-0	Ball(1.5)	1				
# 30	178-327-9	Anvil Front Spacer	1								

When ordering spare parts, please specify tool type, code number and parts name.

Printed in Japan



URYU SEISAKU, LTD. Osaka, Japan

OKA-356-02-08-20-2005