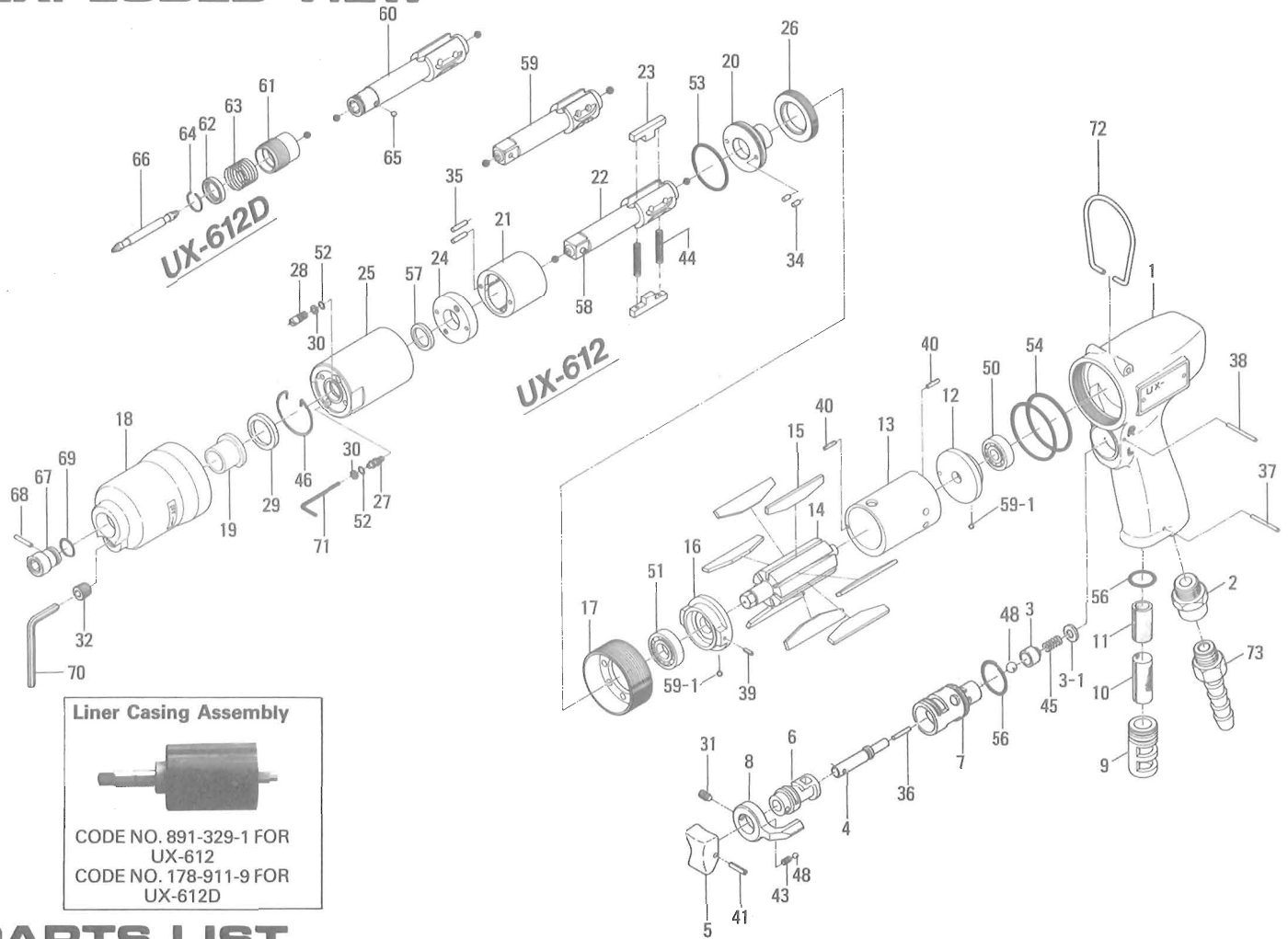


UX-612(D) OIL-PULSE WRENCHES

EXPLODED VIEW



Liner Casing Assembly



CODE NO. 891-329-1 FOR
UX-612
CODE NO. 178-911-9 FOR
UX-612D

PARTS LIST

| Index. No. | Code No. | Parts Name | Quantity | Index. No. | Code No. | Parts Name | Quantity | Index. No. | Code No. | Parts Name | Quantity |
|------------|-----------|-------------------------|----------|------------|-----------|-----------------------------------|----------|------------------------------|-----------|-------------------------------|----------|
| # 1 | 178-025-8 | Casing | 1 | # 25 | 178-905-9 | Liner Casing | 1 | # 53 | 990-329-0 | O-Ring (JW1530-19) | 1 |
| # 2 | 480-091-8 | Air Inlet Bushing | 1 | # 26 | 190-906-6 | Liner Casing Setter | 1 | # 54 | 990-337-0 | O-Ring (JW1530-27) | 2 |
| # 3 | 850-366-1 | Valve Cover | 1 | # 27 | 174-907-8 | Relief Valve Spindle | 1 | # 56 | 990-912-0 | O-Ring (SNS-14) | 2 |
| # 3-1 | 850-365-1 | Valve | 1 | # 28 | 178-742-0 | Oil Plug | 1 | # 57 | 995-512-0 | Teflon Seal (P12) | 1 |
| # 4 | 427-103-5 | Valve Rod Bushing | 1 | # 29 | 178-327-9 | Anvil Front Spacer | 1 | # 58 | 891-300-1 | Socket Pin Assembly (3/8) | 1 |
| # 5 | 177-107-5 | Valve Lever | 1 | # 30 | 944-002-0 | Supporting ring (2.6×4.5×1) | 2 | # 59 | 178-319-8 | Anvil (OP-O) | 1 |
| # 6 | 480-210-9 | Reverse Valve | 1 | # 31 | 952-106-0 | Allen Head Dog Point Screw (M4×6) | 1 | # 59-1 | 981-045-0 | Ball (1.5) | 2 |
| # 7 | 850-382-1 | Reverse Valve Bushing | 1 | # 32 | 966-099-0 | Allen Head Plug (NPT1/16) GDL | 1 | Parts for US-LT40B-21 | | | |
| # 8 | 480-212-8 | Reverse Lever | 1 | # 34 | 970-130-0 | Pin (H) (2.45×4.5) | 2 | # 60 | 178-350-0 | Driver Anvil | 1 |
| # 9 | 480-780-8 | Exhaust Stack | 1 | # 35 | 970-135-0 | Pin (H) (2.45×11) | 2 | # 61 | 011-351-1 | Bit Sleeve | 1 |
| # 10 | 480-042-8 | Silencer | 1 | # 36 | 969-412-0 | Pin (G) (2×12) | 1 | # 62 | 011-352-1 | Bit Spacer | 1 |
| # 11 | 177-835-5 | Filter | 1 | # 37 | 971-120-0 | Pin (2×20) | 1 | # 63 | 976-327-0 | Spring (13.5×11) | 1 |
| # 12 | 182-285-2 | Rear Plate | 1 | # 38 | 971-123-0 | Pin (2×23) | 1 | # 64 | 978-117-0 | Snap Ring (11.7×1.0) | 1 |
| # 13 | 178-286-8 | Cylinder | 1 | # 39 | 973-006-0 | Roll Pin (2×6) | 1 | # 65 | 981-002-0 | Ball (1/8) | 1 |
| # 14 | 196-287-4 | Rotor | 1 | # 40 | 973-008-0 | Roll Pin (2×8) | 2 | Accessories | | | |
| # 15 | 150-288-9 | Rotor Blade (PC) | 7 | # 41 | 973-014-0 | Roll Pin (2×14) | 1 | # 66 | 916-810-0 | (+) Double Bit (No.2×75) | 1 |
| # 16 | 182-289-2 | Front Plate | 1 | # 43 | 976-006-0 | Spring (3×5) | 1 | # 67 | 900-028-0 | Hexagon Socket 3/8" (10×19) | 1 |
| # 17 | 177-036-5 | Hammer Casing Connector | 1 | # 44 | 976-791-0 | Spring (3.3×21) WPC | 2 | # 68 | 971-990-0 | Pin (3×16.5) | 1 |
| # 18 | 178-439-8 | Front Casing | 1 | # 45 | 976-229-0 | Spring (3.2×13) | 1 | # 69 | 990-290-0 | O-Ring (JW12) | 1 |
| # 19 | 190-328-6 | Anvil Bushing | 1 | # 46 | 978-282-0 | Snap Ring (28×1.0) | 1 | # 70 | 939-105-0 | Allen Wrench (4MM) | 1 |
| # 20 | 196-901-4 | Rear Liner Plate | 1 | # 48 | 981-002-0 | Ball (1/8) | 2 | # 71 | 939-091-0 | Allen Wrench (1.5MM) | 1 |
| # 21 | 190-902-6 | Liner | 1 | # 50 | 982-401-0 | Ball Bearing (EE-2) | 1 | # 72 | 010-790-1 | Suspension Ring | 1 |
| # 22 | 891-316-1 | Anvil (OP-P) | 1 | # 51 | 982-402-0 | Ball Bearing (EE-3) | 1 | # 73 | 940-114-0 | Air Hose Nipple (NPT 1/4×3/8) | 1 |
| # 23 | 190-440-6 | Driving Blade | 2 | # 52 | 990-320-0 | O-Ring (ARP568-003) | 2 | | | | |
| # 24 | 178-904-8 | Liner Front Plate | 1 | | | | | | | | |

When ordering spare parts, please specify tool type, code number and parts name.

Printed in Japan



URYU SEISAKU, LTD. Osaka, Japan

OKA-350-01-10-17-2011