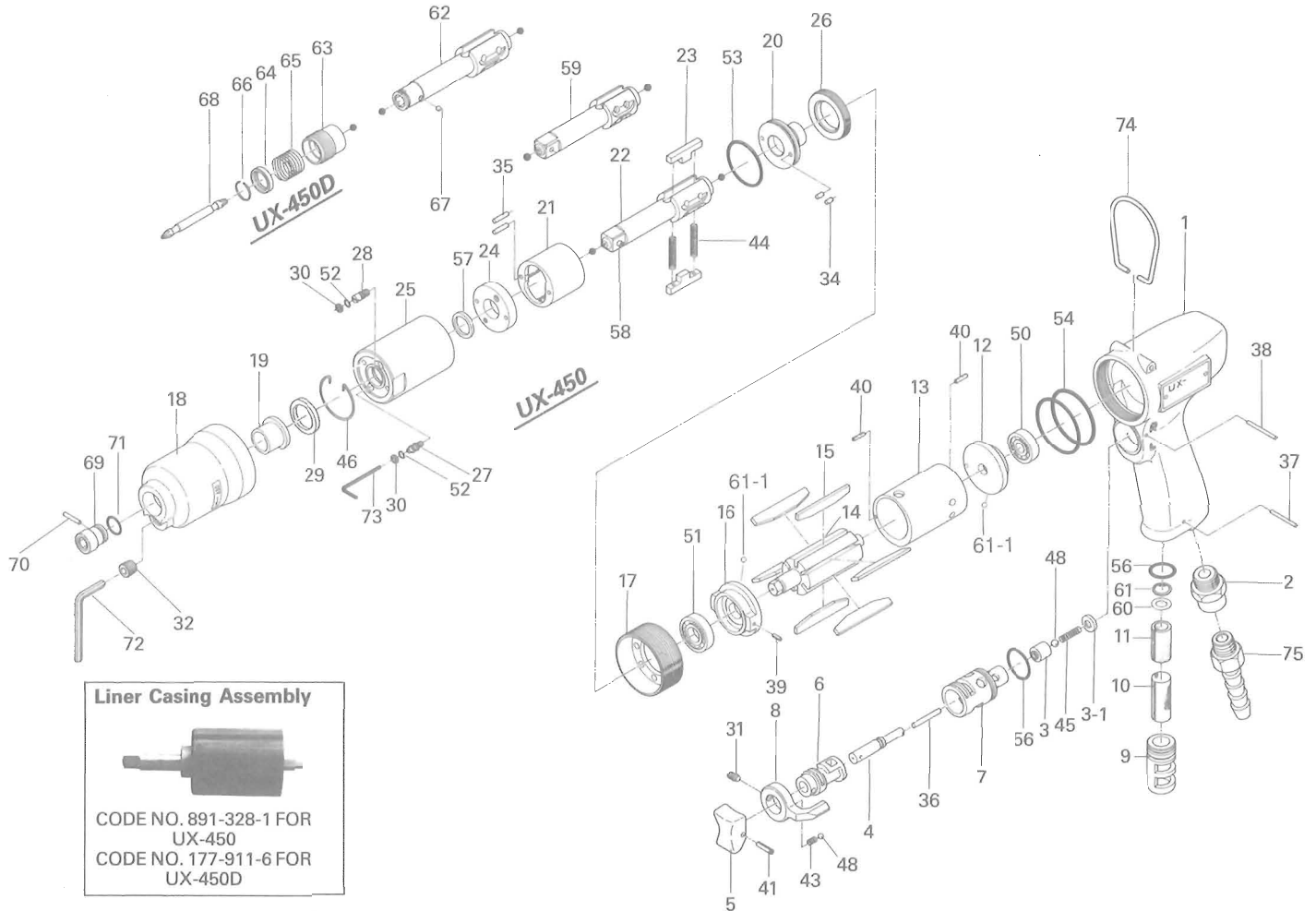


UX-450(D) OIL-PULSE WRENCHES

EXPLODED VIEW



Liner Casing Assembly



CODE NO. 891-328-1 FOR
UX-450
CODE NO. 177-911-6 FOR
UX-450D

PARTS LIST

Index No.	Code No.	Parts Name	Quantity	Index No.	Code No.	Parts Name	Quantity	Index No.	Code No.	Parts Name	Quantity
# 1	177-025-5	Casing	1	#27	174-907-8	Relief Valve Spindle	1	#57	995-512-0	Teflon Seal (P12)	1
# 2	480-091-8	Air Inlet Bushing	1	#28	178-742-0	Oil Plug	1	#58	891-300-1	Socket Pin Assembly (3/8)	1
# 3	850-365-1	Valve	1	#29	178-327-9	Anvil Front Spacer	1	#59	177-319-5	Anvil (O)	1
#3-1	850-366-1	Valve Cover	1	#30	944-002-0	Supporting Ring (2.6×4.5×1)	2	#60	996-412-0	Packing (11.3×2.5×2)	1
# 4	427-103-5	Valve Rod Bushing	1	#31	952-106-0	Allen Head Dog Point Screw (M4×6)	1	#61	979-004-0	Inner Snap Ring (11)	1
# 5	177-107-5	Valve Lever	1	#32	966-099-0	Allen Head Plug (NPT1/16) GDL	1	#61-1	981-045-0	Ball(1.5)	2
# 6	480-210-9	Reverse Valve	1	#34	970-130-0	Pin (H) (2.45×4.5)	2	PARTS FOR UX-450D			
# 7	850-382-1	Reverse Valve Bushing	1	#35	970-135-0	Pin (H) (2.45×11)	2	#62	177-350-7	Driver Anvil	1
# 8	480-212-8	Reverse Lever	1	#36	969-412-0	Pin (G) (2×12)	1	#63	011-351-1	Bit Sleeve	1
# 9	480-780-8	Exhaust Stack	1	#37	971-120-0	Pin (2×20)	1	#64	011-352-1	Bit Spacer	1
#10	182-042-2	Silencer	1	#38	971-123-0	Pin (2×23)	1	#65	976-327-0	Spring (13.5×11)	1
#11	182-835-2	Filter	1	#39	973-006-0	Roll Pin (2×6)	1	#66	978-117-0	Snap Ring (11.7×1.0)	1
#12	182-285-2	Rear Plate	1	#40	973-008-0	Roll Pin (2×8)	2	#67	981-002-0	Ball (1/8)	1
#13	182-286-2	Cylinder	1	#41	973-014-0	Roll Pin (2×14)	1	ACCESSORIES			
#14	177-287-3	Rotor	1	#43	976-006-0	Spring (3×5)	1	#68	916-810-0	(+) Double Bit (No.2×75)	1
#15	197-288-6	Blade	6	#44	976-791-0	Spring (3.3×21) WPC	2	#69	900-008-0	Hexagon Socket (3/8)	1
#16	182-289-2	Front Plate	1	#45	976-229-0	Spring (3.2×13) (0.3)	1	#70	971-990-0	Pin (3×16.5)	1
#17	177-036-5	Hammer Casing Connector	1	#46	978-282-0	Snap Ring (28×1.0)	1	#71	990-290-0	O-Ring (JW12)	1
#18	177-439-5	Front Casing	1	#48	981-002-0	Ball (1/8)	2	#72	939-105-0	Allen Wrench (4MM)	1
#19	190-328-6	Anvil Bushing	1	#50	982-401-0	Ball Bearing (EE-2)	1	#73	939-091-0	Allen Wrench (1.5)	1
#20	196-901-4	Rear Liner Plate	1	#51	982-402-0	Ball Bearing (EE-3)	1	#74	010-790-1	Suspension Ring	1
#21	177-902-5	Liner	1	#52	990-320-0	O-Ring (ARP568-003)	2	#75	940-114-0	Air Hose Nipple (NPT 1/4×3/8)	1
#22	891-307-1	Anvil (OP-P) Assy	1	#53	990-329-0	O-Ring (JW1530-19)	1				
#23	177-440-5	Driving Blade	2	#54	990-337-0	O-Ring (JW1530-27)	2				
#24	178-904-8	Liner Front Plate	1	#56	990-912-0	O-Ring (SNS-14)	2				
#25	177-905-6	Liner Casing	1								
#26	190-906-6	Liner Casing Setter	1								

When ordering spare parts, please specify tool type, code number and part name.

Printed in Japan



URYU SEISAKU, LTD.

Osaka, Japan

OKA-376-01-04-26-2005