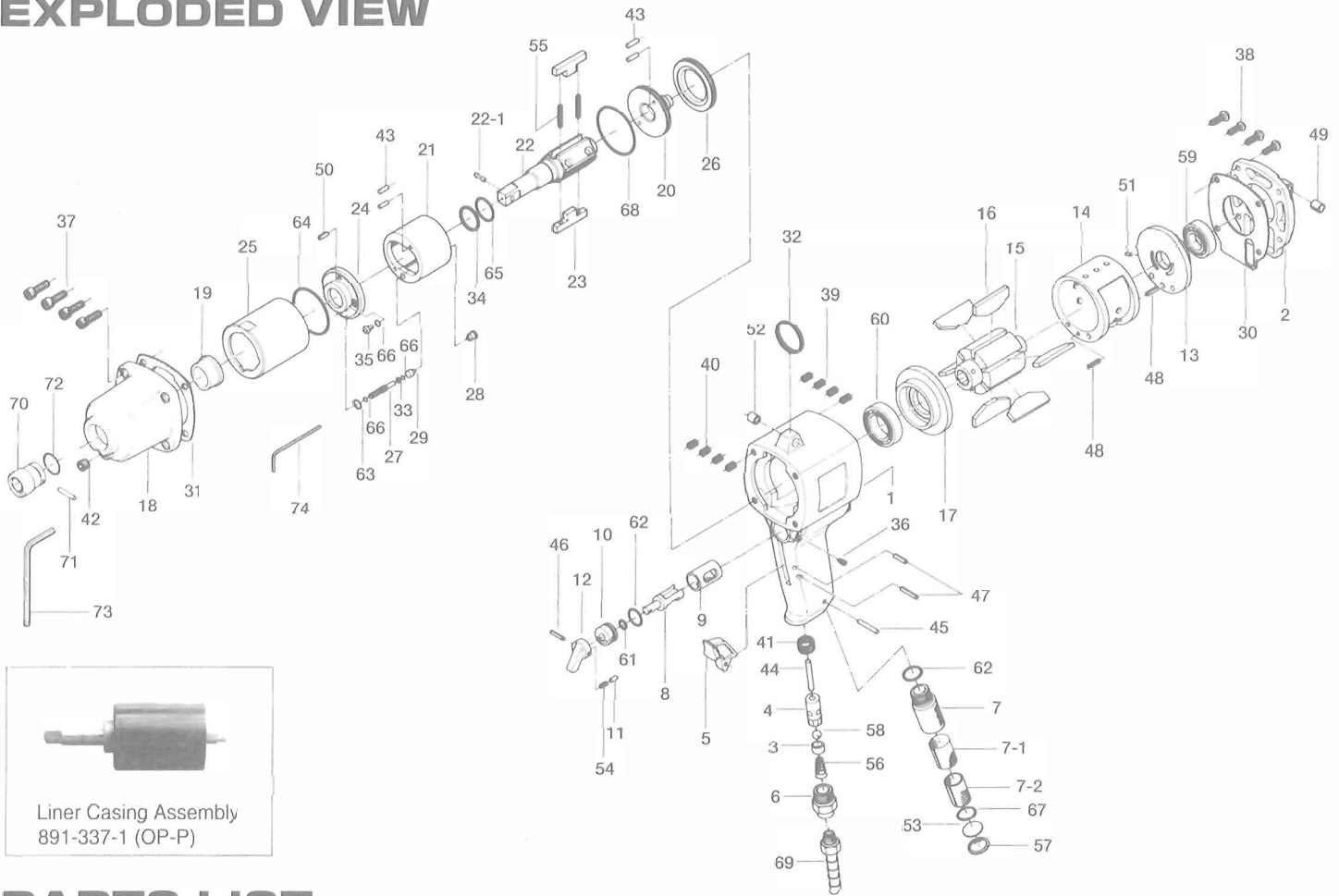


UX-1400 OIL-PULSE WRENCH

EXPLODED VIEW



Liner Casing Assembly
891-337-1 (OP-P)

PARTS LIST

Index. No.	Code No.	Parts Name	Quantity	Index. No.	Code No.	Parts Name	Quantity	Index. No.	Code No.	Parts Name	Quantity
# 1	195-025-3	Handle	1	# 29	195-970-3	Relife Valve	1	# 56	977-180-0	Cone Spring (7.5×12×22)	1
# 2	195-012-3	Head Cover	1	# 30	195-853-3	Head Cover Packing	1	# 57	979-320-0	Inner Snap Ring (IRTW-20)	1
# 3	188-100-1	Valve	1	# 31	195-867-3	Front Casing Packing	1	# 58	981-208-0	Ball (5/16)	1
# 4	063-102-3	Valve Bushing	1	# 32	004-790-2	Suspension Ring	1	# 59	982-103-0	Ball Bearing (6003)	1
# 5	026-107-7	Valve Lever	1	# 33	944-003-0	Supporter Ring (3×5×1)	2	# 60	982-906-0	Ball Bearing (6905)	1
# 6	195-091-3	Air Inlet Bushing	1	# 34	944-221-0	Supporter Ring (20.9×24.72×1.25)	1	# 61	990-205-0	O-Ring (JW1516-5)	1
# 7	195-780-9	Exhaust Stack	1	# 35	945-942-0	Hexagon Round Head Bolt (M4×6)	1	# 62	990-914-0	O-Ring (SNS-16)	2
# 7-1	195-042-9	Silencer	1	# 36	952-108-0	Allen Head Dog Point Screw (M4×8)	1	# 63	990-974-0	O-Ring (SNS-6) (NOK)	1
# 7-2	195-835-3	Filter	1	# 37	945-220-0	Allen Head Bolt (M6×20)	4	# 64	990-937-0	O-Ring (SNS-46)	1
# 8	189-210-8	Reverse Valve	1	# 38	945-954-0	Hex. Round Head Bolt (M5×16)	4	# 65	990-160-0	O-Ring (P-21) (NTN)	1
# 9	189-211-8	Reverse Valve Bushing	1	# 39	965-011-0	Heli-Sert (M5×1.5D)	4	# 66	990-971-0	O-Ring (SNS-13) (NOK)	3
# 10	187-222-1	Reverse Lever Setter	1	# 40	965-021-0	Heli-Sert (M6×1.5D)	4	# 67	990-916-0	O-Ring (SNS-18)	1
# 11	054-220-1	Reverse Lever Notch	1	# 41	965-118-0	Heli-Sert (M18×1.5×1D)	1	# 68	990-936-0	O-Ring (SNS-45)	1
# 12	023-212-4	Reverse Lever	1	# 42	966-100-0	Allen Head Plug (1/8)	1	ACCESSORIES			
# 13	189-285-4	Rear Plate	1	# 43	970-206-0	Pin (H) (3×8)	4	# 69	940-114-0	Air Hose Nipple (NPT 1/4 × 3/8)	1
# 14	189-286-4	Cylinder	1	# 44	970-337-0	Pin (H) (4×36)	1	# 70	900-187-0	Hexagon Socket (22 × 40)	1
# 15	189-287-8	Rotor	1	# 45	971-163-0	Pin (2.5×23)	1	# 71	971-991-0	Pin (3.2 × 24)	1
# 16	189-288-9	Blade	6	# 46	973-016-0	Roll Pin (2×16)	1	# 72	990-291-0	O-Ring (JW17)	1
# 17	189-289-4	Front Plate	1	# 47	973-118-0	Roll Pin (3×18)	2	# 73	939-104-0	Allen Wrench (5mm)	1
# 18	195-439-3	Front Casing	1	# 48	973-214-0	Roll Pin (4×14)	2	# 74	939-109-0	Allen Wrench (2mm)	1
# 19	195-328-3	Anvil Bushing	1	# 49	973-360-0	Roll Pin (8×10)	1				
# 20	195-901-3	Rear Liner Plate	1	# 50	969-450-0	Pin (G) (3×8)	1				
# 21	195-902-3	Liner	1	# 51	973-066-0	Roll Pin (2.5×6)	1				
# 22	891-314-1	Anvil (OP-P)	1	# 52	973-361-0	Roll Pin (8×12)	1				
# 22-1	891-304-1	Socket Retainer/Pin Assy	1	# 53	975-600-0	Round Plate (20×1)	1				
# 23	195-440-3	Driving Blade	2	# 54	976-025-0	Spring (3×8.5)	1				
# 24	195-904-3	Front Liner Plate	1	# 55	976-795-0	Spring (4.3×40.5) WPC	2				
# 25	195-905-3	Liner Casing	1								
# 26	195-906-3	Liner Casing Setter	1								
# 27	195-907-3	Relife Valve Spindle	1								
# 28	195-969-3	Relife Valve Plug	1								

When ordering spare parts, please specify tool type, code number and parts name.

Printed in Japan



URYU SEISAKU, LTD. Osaka, Japan

OKA-275-02-10-20-2006