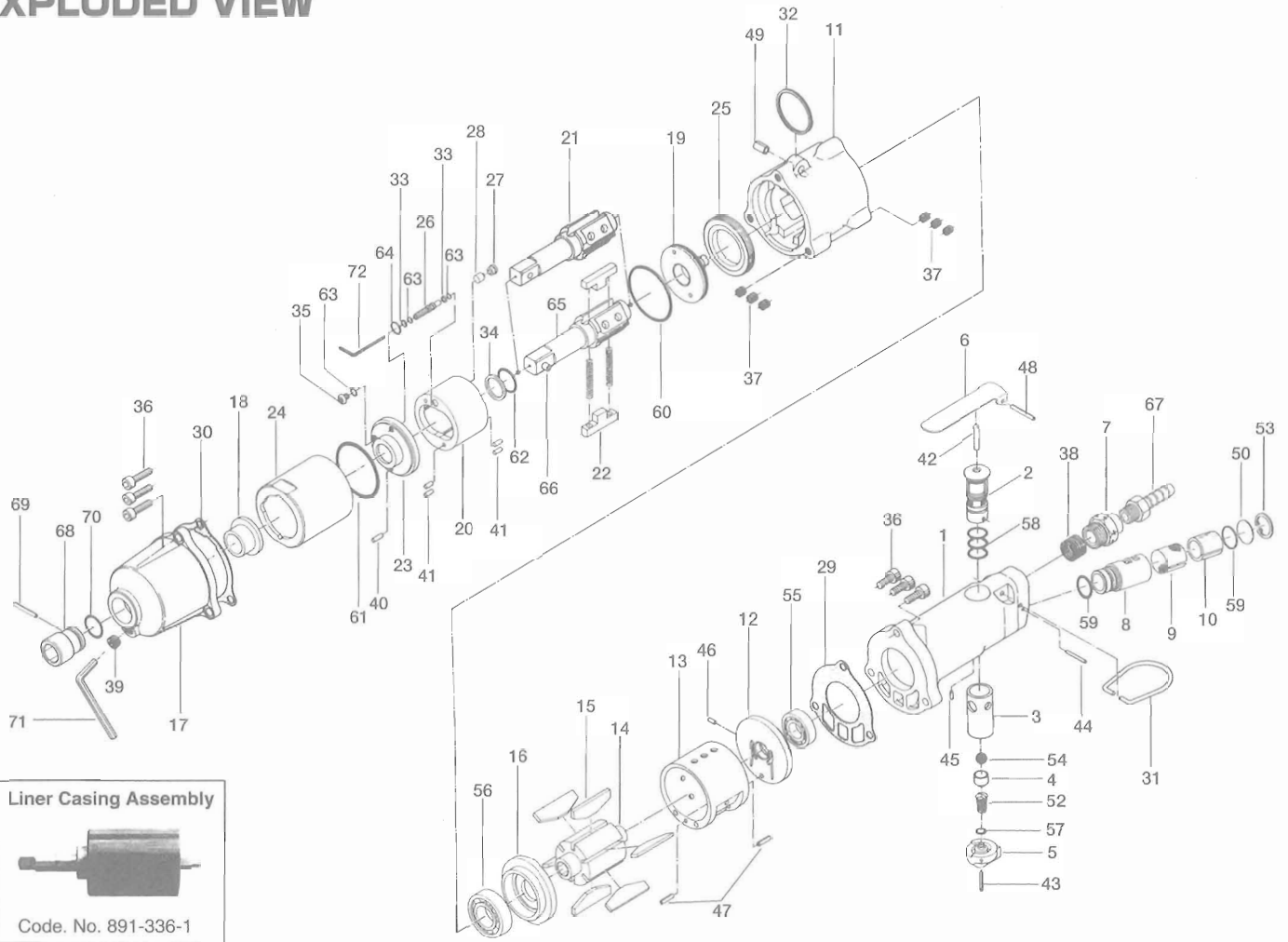


UX-1300S OIL-PULSE WRENCH

EXPLODED VIEW



Liner Casing Assembly



Code. No. 891-336-1

PARTS LIST

Index No.	Code No.	Parts Name	Quantity	Index No.	Code No.	Parts Name	Quantity	Index No.	Code No.	Parts Name	Quantity
# 1	180-011-9	Handle	1	#28	195-970-3	Relief Valve	1	#53	979-318-0	Inner Snap Ring (IRTW-18)	1
# 2	180-210-7	Reverse Valve	1	#29	180-851-9	Handle Packing	1	#54	981-208-0	Ball (5/16) Black	1
# 3	180-211-7	Reverse Valve Bushing	1	#30	180-867-9	Front Casing Packing	1	#55	982-404-0	Ball Bearing (EE-5)	1
# 4	188-100-1	Valve	1	#31	004-790-2	Suspension Ring	1	#56	982-905-0	Ball Bearing (6904)	1
# 5	180-212-7	Reverse Lever	1	#32	010-790-1	Suspension Ring	1	#57	990-005-0	O-Ring (P7)	1
# 6	500-107-1	Valve Lever	1	#33	944-003-0	Supporter Ring (3×5×1)	2	#58	990-909-0	O-Ring (SNS-11.2)	3
# 7	180-091-6	Air Inlet Bushing	1	#34	944-215-0	Supporter Ring (16×19.9×1.5)	1	#59	990-914-0	O-Ring (SNS-16)	2
# 8	194-780-4	Exhaust Stack	1	#35	945-942-0	Hexagon Round Head Bolt (M4×6)	1	#60	990-930-0	O-Ring (SNS-40)	1
# 9	194-042-4	Silencer	1	#36	945-216-0	Allen Head Bolt (M6×16)	1	#61	990-932-0	O-Ring (SNS-42)	1
#10	194-835-6	Filter	1	#37	965-021-0	Heli-Serf (M6×1.5D)	6	#62	990-156-0	O-Ring (P16 NTN)	1
#11	180-025-9	Casing	1	#38	965-073-0	Heli-Serf (UNF5/8×N6)	1	#63	990-971-0	O-Ring (SNS-3 NOK)	3
#12	194-285-6	Rear Plate	1	#39	966-100-0	Allen Head Plug (1/8)	1	#64	990-974-0	O-Ring (SNS-6 NOK)	1
#13	063-286-7	Cylinder	1	#40	969-450-0	Pin (G) (3×8)	1	#65	891-313-1	Anvil (OP-P)	1
#14	194-287-6	Rotor	1	#41	970-206-0	Pin (H) (3×8)	4	#66	891-304-1	Socket Retainer Pin Assembly	1
#15	194-288-6	Blade	6	#42	970-326-0	Pin (H) (4×25)	1	ACCESSORIES			
#16	194-289-6	Front Plate	1	#43	971-022-0	Roll Pin (2×22)	1	#67	940-114-0	Air Hose Nipple (NPT1/4×3/8)	1
#17	180-439-9	Front Casing	1	#44	971-163-0	Pin (2.5×23)	1	#68	900-170-0	Hexagonal Socket (1/2SQ 19×35)	1
#18	189-328-8	Anvil Bushing	1	#45	973-006-0	Roll Pin (2×6)	1	#69	971-991-0	Pin (3.2×24)	1
#19	194-901-6	Rear Liner Plate	1	#46	973-066-0	Roll Pin (2.5×6)	2	#70	990-291-0	O-Ring (JW17)	1
#20	194-902-6	Liner	1	#47	973-212-0	Roll Pin (4×12)	1	#71	939-104-0	Allen Wrench (5)	1
#21	194-319-7	Anvil (OP-O)	1	#48	973-124-0	Roll Pin (3×24)	1	#72	939-109-0	Allen Wrench (2)	1
#22	194-440-7	Driving Blade	2	#49	973-340-0	Roll Pin (6×10)	1				
#23	194-904-4	Front Liner Plate	1	#50	975-598-0	Round Plate (18×1)	1				
#24	194-905-6	Liner Casing	1	#51	976-453-0	Spring (4.5×34.5×0.6) WPC	2				
#25	194-906-4	Liner Casing Cover	1	#52	977-103-0	Cone Spring (6×9.5×16)	1				
#26	195-907-3	Relief Valve Spindle	1								
#27	195-969-3	Relief Valve Cover	1								

When ordering spare parts, please Specify tool type, code number and parts name.

Printed in Japan



URYU SEISAKU, LTD. Osaka, Japan

OKA-355-02-11-15-2003