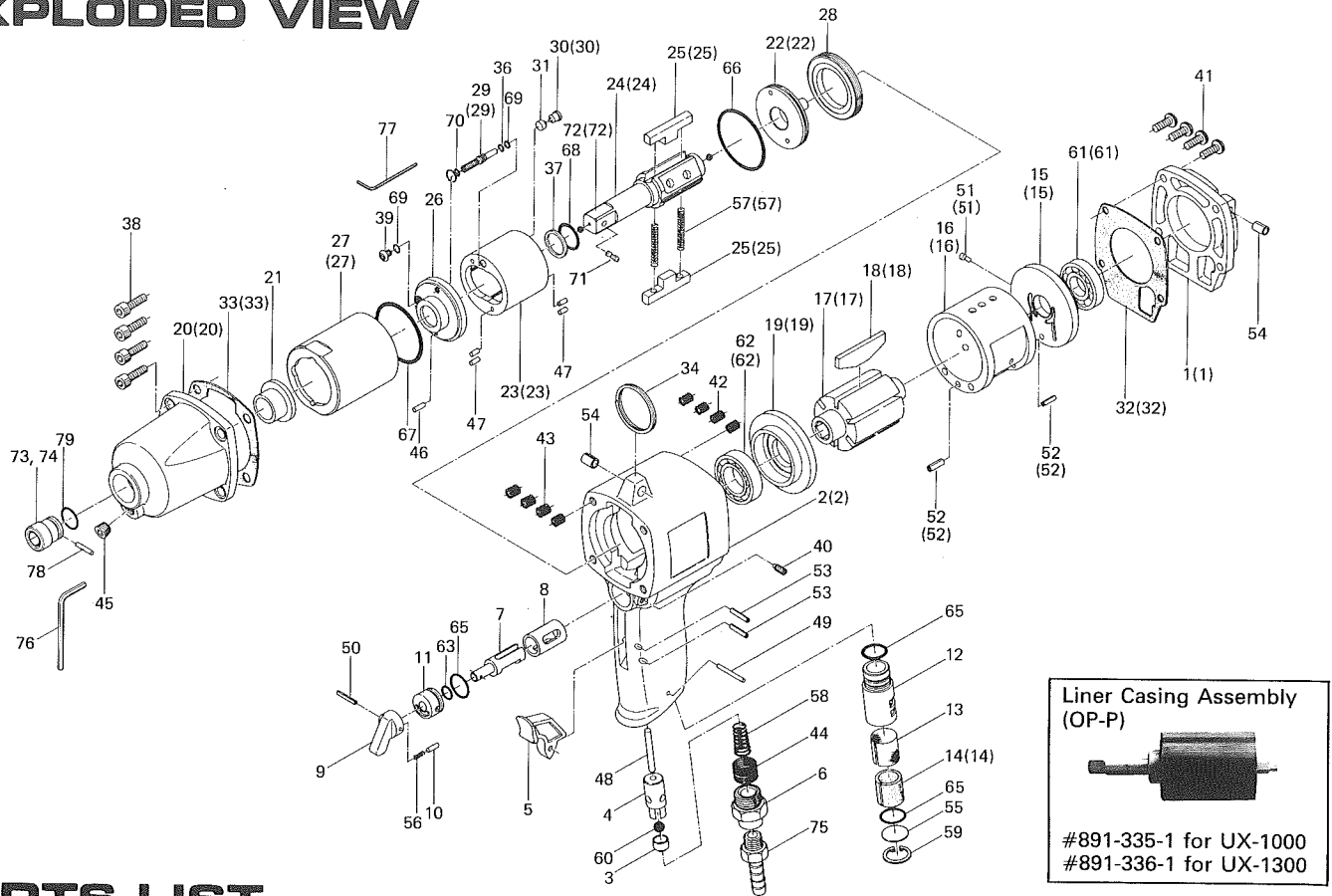


UX-1000 & UX-1300, OIL-PULSE TOOLS

EXPLODED VIEW



PARTS LIST

Index No.	Code No.	Part Name	Quantity	Index No.	Code No.	Part Name	Quantity	Index No.	Code No.	Part Name	Quantity
# 1	194-012-4	Head cover	1	#40	952-108-0	Allen Head Dog Point Screw (M4x8)	1	#(14)	194-835-6	Filter	1
# 2	194-025-4	Handle	1	#41	945-954-0	Hex Round Head Bolt (M5x16)	4	#(15)	194-285-6	Rear Plate	1
# 3	188-100-1	Valve	1	#42	965-011-0	Heli-Soft (M5x1.5D)	4	#(16)	063-286-7	Cylinder	1
# 4	063-102-3	Valve Bushing	1	#43	965-021-0	Heli-Sert (M6x1.5D)	4	#(17)	194-287-6	Rotor	1
# 5	026-107-7	Valve Lever	1	#44	965-073-0	Heli-Sert (UNF5/8)(N6)	1	#(18)	194-288-6	Blade	6
# 6	185-091-7	Air Inlet Bushing	1	#45	966-100-0	Allen Head Plug (1/8)	1	#(19)	194-289-6	Front Plate	1
# 7	199-210-1	Reverse Valve	1	#46	969-450-0	Pin (G) (3x8)	1	#(20)	194-439-6	Front Casing	1
# 8	199-211-1	Reverse Valve Bushing	1	#47	970-206-0	Pin (H) (3x8)	4	#(22)	194-901-6	Rear Liner Plate	1
# 9	023-212-4	Reverse Lever	1	#48	970-337-0	Pin (H) (4x36)	1	#(23)	194-902-6	Liner	1
#10	054-220-1	Reverse Lever Notch	1	#49	971-163-0	Pin (2.5x23)	1	#(24)	891-313-1	Anvil (OP-P)	1
#11	187-222-1	Reverse Lever Setter	1	#50	973-016-0	Roll Pin (2x16)	1	#(25)	194-440-6	Driving Blade	2
#12	194-780-4	Exhaust Stack	1	#51	980-008-0	Round Head Notch (2.4)	1	#(27)	194-905-6	Liner Casing	1
#13	194-042-4	Silencer	1	#52	973-108-0	Roll Pin (3x8)	2	#(29)	195-907-3	Relief Valve Spindle	1
#14	194-835-4	Filter	1	#53	973-116-0	Roll Pin (3x16)	2	#(30)	195-969-3	Relief Valve Plug	1
#15	041-285-7	Rear Plate	1	#54	973-340-0	Roll Pin (6x10)	2	#(32)	194-853-6	Head Cover Packing	1
#16	188-286-9	Cylinder	1	#55	975-598-0	Round Plate (18x1)	1	#(33)	194-867-6	Front Casing Packing	1
#17	194-287-4	Rotor	1	#56	976-025-0	Spring (3x8.5)	1	#(51)	973-066-0	Roll Pin (2.5x6)	1
#18	175-288-7	Rotor Blade (K)	6	#57	976-201-0	Spring (4.5x34.5)	2	#(52)	973-212-0	Roll Pin (4x12)	2
#19	194-289-4	Front Plate	1	#58	977-175-0	Cone Spring (7.5x10.3x22)	1	#(57)	976-224-0	Spring (4.5x34.5)	2
#20	194-439-4	Front Casing	1	#59	979-011-0	Inner Snap Ring (18)	1	#(61)	982-404-0	Ball Bearing (EE-5)	1
#21	189-328-8	Anvil Bushing	1	#60	981-208-0	Ball (5/16) Black	1	#(62)	982-905-0	Ball Bearing (6904)	1
#22	194-901-4	Rear Liner Plate	1	#61	982-403-0	Ball Bearing (EE-4)	1	#(72)	194-319-6	Anvil (OP-O)	1
#23	194-902-4	Liner	1	#62	982-951-0	Ball Bearing (16003)	1	ACCESSORIES			
#24	891-312-1	Anvil (OP-P)	1	#63	990-205-0	O-Ring (JW1516-5)	1	#73	900-153-0	Hexagon Socket (1/2SQ 17x31) for UX-1000	1
#25	194-440-4	Driving Blade	2	#65	990-914-0	O-Ring (SNS-16)	3	#74	900-170-0	Hexagon Socket (1/2SQ 19x35) for UX-1300	1
#26	194-904-4	Front Liner Plate	1	#66	990-930-0	O-Ring (SNS-40)	1	#75	940-114-0	Air Hose Nipple (NPT1/4x3/8)	1
#27	194-905-4	Liner Casing	1	#67	990-932-0	O-Ring (SNS-42)	1	#76	939-104-0	Allen Wrench (5MM)	1
#28	194-906-4	Liner Casing Cover	1	#68	990-958-0	O-Ring (P-16) (NOK)	1	#77	939-109-0	Allen Wrench (2MM) (64x64)	1
#29	194-907-4	Relief Valve Spindle	1	#69	990-971-0	O-Ring (SNS-3) (NOK)	3	#78	971-991-0	Pin (3.2x24)	1
#30	194-969-4	Relief Valve Plug	1	#70	990-974-0	O-Ring (SNS-6) (NOK)	1	#79	990-291-0	O-Ring (JW17)	1
#31	195-970-3	Relief Valve	1	#71	891-304-1	Socket Retainer Pin Assy	1				
#32	194-853-4	Head Cover Packing	1	#72	194-319-4	Anvil (OP-O)	1				
#33	194-867-4	Front Casing Packing	1	SPECIAL PARTS FOR MODEL UX-1300 (OTHER PARTS UNCHANGED)							
#34	004-790-2	Suspension Ring	1	#(1)	194-012-6	Head Cover	1				
#36	944-003-0	Supporter Ring (3x5x1)	2	#(2)	194-025-6	Handle	1				
#37	944-215-0	Supporter Ring (16x19.9x1.5)	1								
#38	945-216-0	Allen Head Bolt (M6x16)	4								
#39	945-942-0	Hexagon Round Head Bolt (M4x6)	1								

When ordering spare parts, please specify tool type, code number and part name.

Printed in Japan

URYU SEISAKU, LTD. Osaka, Japan