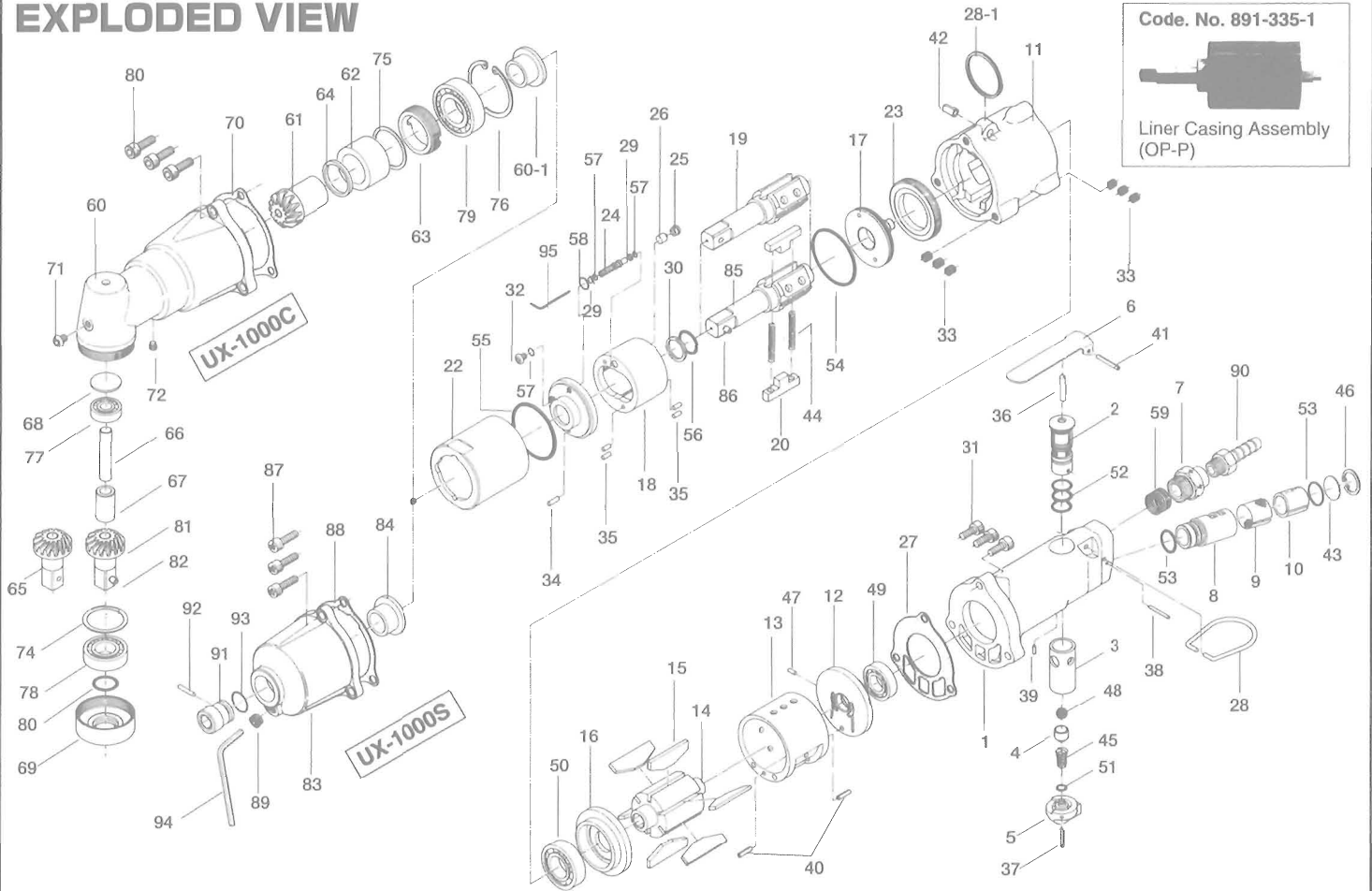


UX-1000S & C OIL-PULSE WRENCHES

EXPLODED VIEW



PARTS LIST

Index No.	Code No.	Parts Name	Quantity	Index No.	Code No.	Parts Name	Quantity	Index No.	Code No.	Parts Name	Quantity
# 1	180-011-8	Handle	1	#34	969-450-0	Pin (G) (3×8)	1	#66	033-431-1	Driven Gear Spindle	1
# 2	180-210-7	Reverse Valve	1	#35	970-206-0	Pin (H) (3×8)	4	#67	033-432-1	Driven Gear Collar	1
# 3	180-211-7	Reverse Valve Bushing	1	#36	970-326-0	Pin (H) (4×25)	1	#68	568-391-1	Spindle Gear Cover	1
# 4	188-100-1	Valve	1	#37	973-022-0	Roll Pin (2×21)	1	#69	199-488-7	Angle Casing Cover	1
# 5	180-212-7	Reverse Lever	1	#38	971-163-0	Pin (2.5×23)	1	#70	180-867-8	Front Casing Packing	1
# 6	500-107-1	Valve Lever	1	#39	973-006-0	Roll Pin (2×6)	1	#71	945-949-0	Hexagon Round Head Bolt (M5×6)	1
# 7	180-091-6	Air Inlet Bushing	1	#40	973-108-0	Roll Pin (3×8)	2	#72	954-206-0	Allen Head Cone Point Screw (M5×6)	1
# 8	194-780-4	Exhaust Stack	1	#41	973-124-0	Roll Pin (3×24)	1	#74	975-818-0	Adjusting Spacer (32×26×t)	1
# 9	194-042-4	Silencer	1	#42	973-340-0	Roll Pin (6×10)	1	#75	975-825-0	Adjusting Spacer (33.5×29×t)	1
#10	194-835-4	Filter	1	#43	975-598-0	Round Plate (18×1)	1	#76	979-035-0	Inner Snap Ring (42)	1
#11	180-025-8	Casing	1	#44	976-453-0	Spring (4.5×34.5×0.6)WPC	2	#77	982-015-0	Ball Bearing (608)	1
#12	041-285-7	Rear Plate	1	#45	977-103-0	Cone Spring (6×9.5×16)	1	#78	982-102-0	Ball Bearing (6002)	1
#13	188-286-9	Cylinder	1	#46	979-318-0	Inner Snap Ring (IRTW-18)	1	#79	982-173-0	Ball Bearing (6004ZZ)	1
#14	194-287-4	Rotor	1	#47	980-008-0	Round Head Notch (2.4)	1	#80	990-913-0	O-Ring (SNS-15)	1
#15	175-288-9	Blade (PC)	6	#48	981-208-0	Ball (5/16)Black	1	#81	891-347-1	Driven Gear (OP-P)	1
#16	194-289-4	Front Plate	1	#49	982-403-0	Ball Bearing (EE-4)	1	#82	891-304-1	Socket Retainer Pin Assembly	1
#17	194-901-4	Rear Liner Plate	1	#50	982-951-0	Ball Bearing (16003)	1	PARTS FOR UX-1000S			
#18	194-902-4	Liner	1	#51	990-005-0	O-Ring (P7)	1	#83	180-439-8	Front Casing	1
#19	194-319-4	Anvil (OP-O)	1	#52	990-909-0	O-Ring (SNS-11.2)	3	#84	189-328-8	Anvil Bushing	1
#20	194-440-4	Driving Blade	2	#53	990-914-0	O-Ring (SNS-16)	2	#85	891-312-1	Anvil (OP-P)	1
#21	194-904-4	Front Liner Plate	1	#54	990-930-0	O-Ring (SNS-40)	1	#86	891-304-1	Socket Retainer Pin Assembly	1
#22	194-905-4	Liner Casing	1	#55	990-932-0	O-Ring (SNS-42)	1	#87	945-215-0	Allen Head Bolt (M6×15)	3
#23	194-906-4	Liner Casing Cover	1	#56	990-156-0	O-Ring (P16) (NTN)	1	#88	180-867-8	Front Casing Packing	1
#24	194-907-4	Relief Valve Spindle	1	#57	990-971-0	O-Ring (SNS-3) (NOK)	3	#89	966-100-0	Allen Head Plug (1/8)	1
#25	194-969-4	Relief Valve Cover	1	#58	990-974-0	O-Ring (SNS-6)	1	ACCESSORIES			
#26	195-970-3	Relief Valve	1	#59	965-073-0	Heli-Sert (UNF5/8N6)	1	#90	940-114-0	Air Hose Nipple(NPT1/4×3/8)	1
#27	180-851-8	Handle Packing	1	PARTS FOR UX-1000C				#91	900-153-0	Hexagonal Socket(1/2SQ 17×31)	1
#28	004-790-2	Suspension Ring	1	#60	179-441-8	Angle Casing	1	#92	971-991-0	Pin(3.2×24)	1
#28-1	010-790-1	Suspension Ring	1	#60-1	179-380-8	Bearing Holder Bushing	1	#93	990-291-0	O-Ring(JW17)	1
#29	944-003-0	Supporter Ring (3×5×1)	2	#61	199-420-7	Driving Gear	1	#94	939-104-0	Allen Wrench(5)	1
#30	944-215-0	Supporter Ring (16×19.9×1.5)	1	#62	199-421-7	Driving Gear Bushing	1	#95	939-109-0	Allen Wrench(2)	1
#31	945-218-0	Allen Head Bolt (M6×18)	3	#63	199-422-7	Driving Gear Bushing Screw	1				
#32	945-942-0	Hexagon round Head Bolt (M4×6)	1	#64	199-425-7	Driving Gear Spacer	1				
#33	965-021-0	Heli-Sert (M6×1.5D)	1	#65	033-430-1	Driven Gear (OP-O)	1				

When ordering spare parts, please Specify tool type, code number and parts name.

Printed in Japan



URYU SEISAKU, LTD. Osaka, Japan

OKA-353-02-11-20-2004