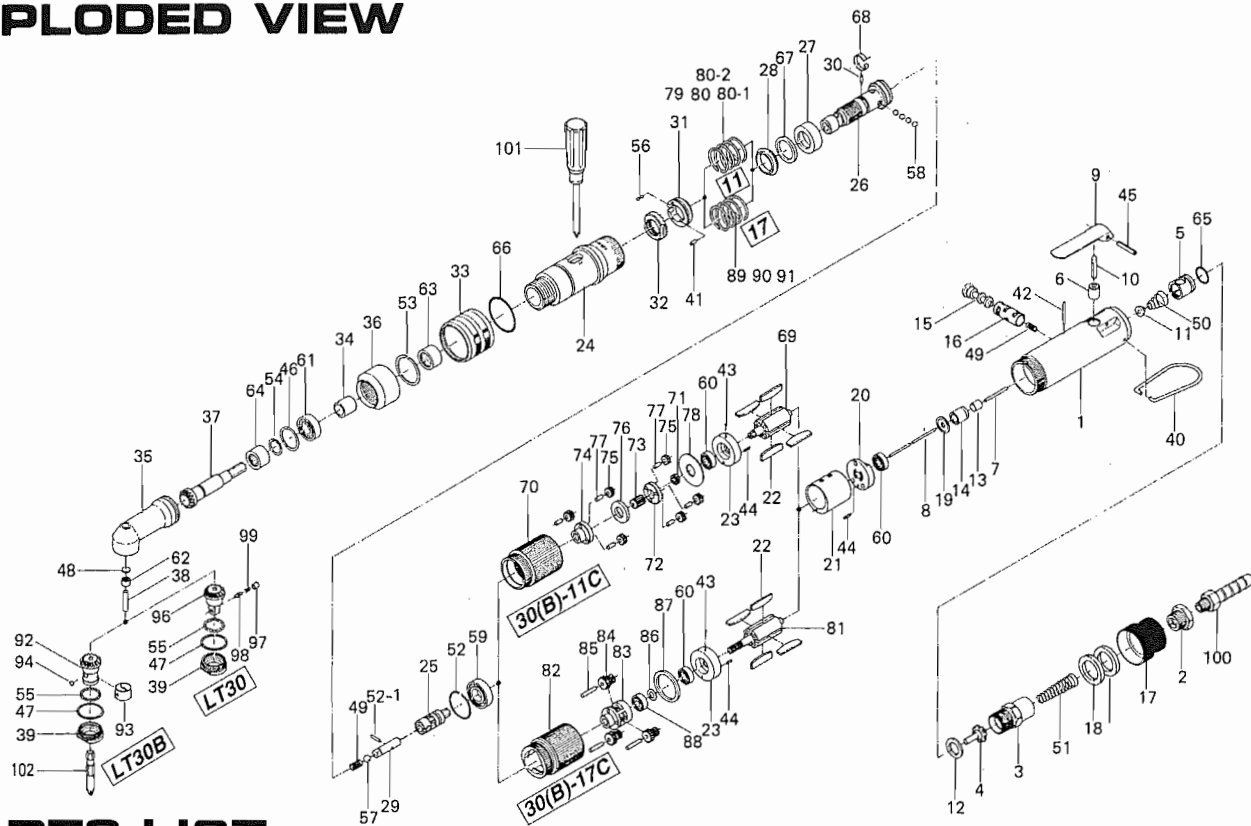


US-LT30(B) ANGLE SERIES SCREWDRIVERS

EXPLODED VIEW



PARTS LIST

Index No.	Code No.	Part Name	Quantity	Index No.	Code No.	Part Name	Quantity	Index No.	Code No.	Part Name	Quantity
# 1	469-025-5	Casing	1	# 44	973-003-0	Roll Pin (1.5x8)	2	# 78	975-178-0	Spacer (26x10x1.5)	1
# 2	480-091-8	Air Inlet Bushing	1	# 45	973-118-0	Roll Pin (3x18)	1	# 79	976-472-0	Spring (20.6x22) (2.1) (Blue-Standard)	1
# 3	461-097-6	Air Inlet Connector	1	# 46	975-768-0	Adjusting Spacer (19x16.2xT)	1	# 80	976-493-0	Spring (20.8x22) (2.0) (Red-Weak)	1
# 4	259-100-0	Valve	1	# 47	975-771-0	Adjusting Spacer (20x18xT)	1	# 80-1976-471-0	Spring (19.4x22) (1.6) (Pink-Weaker)	1	
# 5	461-102-6	Valve Bushing	1	# 48	975-590-0	Round Plate (6.3x1)	1	# 80-2 976-504-0	Spring (21x22) (2.3) (Black-Strong)	1	
# 6	553-103-1	Valve Rod Bushing	1	# 49	976-058-0	Spring (4.5x11) (0.4)	2	Parts for US-LT30(B)-17C			
# 7	970-105-0	Pin (H) (2x24)	1	# 50	977-071-0	Cone Ring (5.5x11.5x15)	1	# 81	471-287-5	Rotor	1
# 8	462-104-7	Valve Rod	1	# 51	977-155-0	Cone Spring (7x10x35)	1	# 82	471-029-5	Gear Casing	1
# 9	700-107-1	Valve Lever	1	# 52	978-229-0	Snap Ring (23x1)	1	# 83	471-480-5	Gear Cage	1
# 10	469-114-5	Valve Pin	1	# 52-1	969-470-0	Pin (2x8)	1	# 84	471-470-5	Planet Gear	3
# 11	259-254-0	Shut-Off Valve	1	# 53	979-190-0	Outer Snap Ring (22)	1	# 85	972-036-0	Roller Pin (2.5x15.8) (A)	3
# 12	996-424-0	Packing (16x9x2)	1	# 54	979-351-0	Inner Snap Ring (ISTW-10)	1	# 86	975-009-0	Spacer (9x5.2x0.3)	1
# 13	444-106-8	Valve Rod Cap	1	# 55	981-000-0	Ball (1/16)	24	# 87	975-188-0	Spacer (26x20x1.5)	1
# 14	461-567-6	Bushing	1	# 56	981-001-0	Ball (3/32)	2	# 88	987-013-0	Miniature Ball Bearing (R-1350Z)	1
# 15	893-056-1	Reverse Valve (Lock)	1	# 57	981-004-0	Ball (3/16)	1	# 89	976-493-0	Spring (20.8x22) (2.0) (Red-Standard)	1
# 16	471-211-7	Reverse Valve Bushing	1	# 58	981-003-0	Ball (5/32)	4	# 90	976-471-0	Spring (19.4x22) (1.6) (Pink-Weaker)	1
# 17	408-782-1	Exhaust Deflector	1	# 59	982-901-0	Ball Bearing (6900)	1	# 91	976-472-0	Spring (20.6x22) (2.1) (Blue-Strong)	1
# 18	471-835-5	Filter (F100)	2	# 60	987-041-0	Miniature Ball Bearing (R-1350ZZ)	2	Parts for US-LT30(B)			
# 19	469-291-5	Rear Plate Spacer	1	# 61	982-035-0	Ball Bearing (698)	1	# 92	469-430-5	Driven Gear	1
# 20	471-285-7	Rear Plate	1	# 62	988-090-0	Needle Roller Bearing (B-24)	1	# 93	430-356-1	Bit Band	1
# 21	471-286-7	Cylinder	1	# 63	988-394-0	Needle Roller Bearing (FJ-1210)	1	# 94	981-002-0	Ball (1/8)	1
# 22	471-288-9	Blade (GK)	4	# 64	988-689-0	Needle Roller Bearing (RLM-1010)	1	Parts for US-LT30			
# 23	471-289-7	Front Plate	1	# 65	990-911-0	O-Ring (SNS-12)	1	# 96	469-430-9	Driven Gear	1
# 24	469-369-6	Clutch Casing	1	# 66	990-923-0	O-Ring (SNS-26)	1	# 97	469-567-9	Bushing	1
# 25	471-346-5	Cam	1	# 67	944-016-0	Back-Up Ring (P-16)	1	# 98	469-800-9	Socket Retainer Pin	1
# 26	471-319-2	Anvil	1	# 68	471-670-7	Band	1	# 99	976-018-0	Spring (2.8x8.5) (0.3)	1
# 27	471-375-8	Cam Ring	1	Parts for US-LT30(B)-11C				ACCESSORIES			
# 28	471-164-8	Spring Setter	1	# 69	471-287-7	Rotor	1	#100	940-113-0	Hose Nipple (NPT1/4)	1
# 29	471-318-5	Pilot Pin	1	# 70	471-029-7	Gear Casing	1	#101	939-40-0	Manual Driver No.2 (φ5)	1
# 30	471-764-7	Notch Pin	1	# 71	471-460-7	Rotor Gear	1	#102	916-510-0	(+) Bit (No.2x33) (6.35)	1
# 31	471-562-7	Spring Holder	1	# 72	471-480-7	First Gear Cage	1				
# 32	471-257-7	Regulating Screw	1	# 73	471-445-7	Middle Gear	1				
# 33	472-370-7	Clutch Casing Sleeve	1	# 74	471-485-7	Second Gear Cage	1				
# 34	469-807-5	Spacer	1	# 75	471-471-7	Second Planet Gear	6				
# 35	469-441-7	Angle Casing	1	# 76	471-483-7	Gear Cage Spacer	1				
# 36	469-081-6	Connecting Nut	1	# 77	972-033-0	Roller Pin (2.5x8)	6				
# 37	469-420-5	Driving Gear	1								
# 38	469-431-6	Driven Gear Collar	1								
# 39	469-488-5	Angle Casing Cover	1								
# 40	401-790-1	Suspension Ring	1								
# 41	970-091-0	Pin (2x4.5)	1								
# 42	972-020-0	Roller Pin (2x19.8) (A)	1								
# 43	973-001-0	Roll Pin (1.5x6)	1								

When ordering spare parts, please specify tool type, code number and part name.

Printed in Japan

URYU SEISAKU, LTD. Osaka, Japan