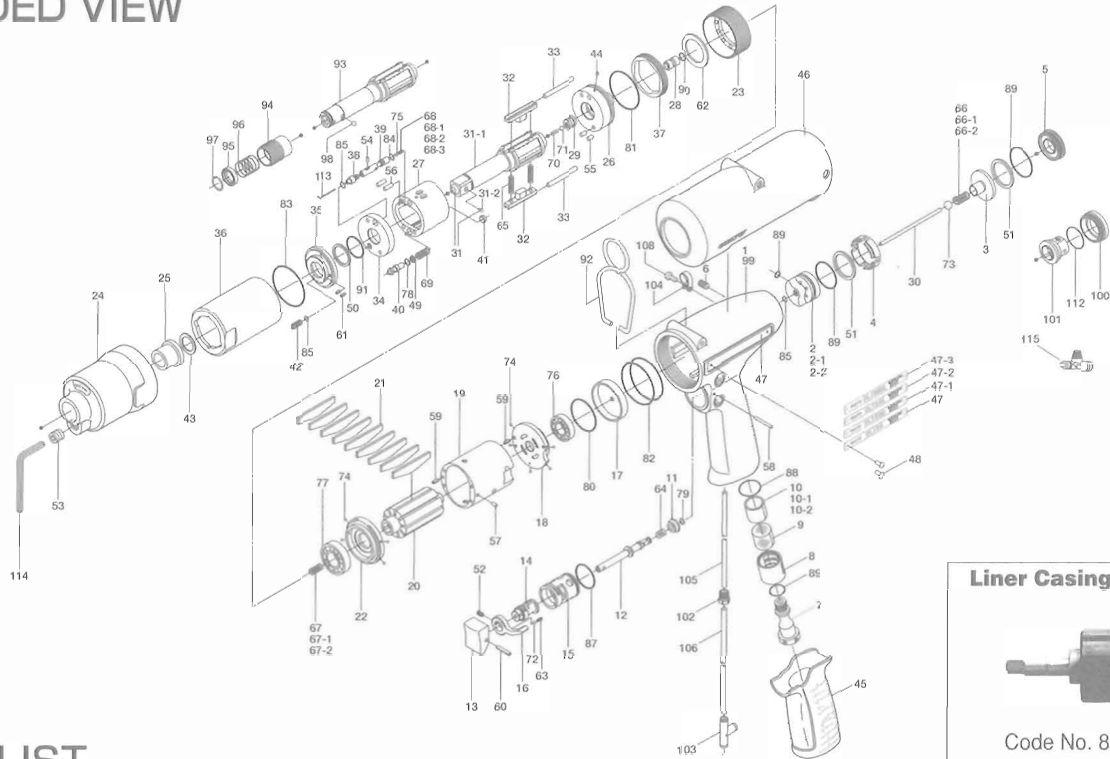


ULT60 SERIES OIL-PULSE WRENCHES

EXPLODED VIEW



Liner Casing Assembly



Code No. 891-463-1

PARTS LIST

Index No.	Code No.	Parts Name	Quantity	Index No.	Code No.	Parts Name	Quantity	Index No.	Code No.	Parts Name	Quantity
# 1	145-025-6	Handle	1	#39	145-970-6	Relief Valve	1	#74	981-045-0	Ball (1.5mm)	9
# 2	145-253-6	Shut-off Valve Bushing	1	#40	145-972-6	Accumulator	1	#75	981-150-0	Ball (3mm)	1
# 2-1	145-253-8	Shut-off Valve Bushing for ULT60L	1	#41	145-908-7	Accumulator Cover	1	#76	982-014-0	Ball Bearing (607)	1
# 2-2	145-253-9	Shut-off Valve Bushing for ULT60DL	1	#42	194-742-0	Oil Pulg	1	#77	982-902-0	Ball Bearing (6901)	1
# 3	145-254-6	Shut-off Valve	1	#43	145-327-6	Anvil Front Spacer	1	#78	990-320-0	O Ring (ARP568-003)	1
# 4	145-684-6	Cushion Spacer	1	#44	150-064-5	Plug	1	#79	990-306-0	O Ring (ARP568-004)(H)	1
# 5	145-019-6	Valve Cover	1	#45	147-842-2	Handle Cover	1	#80	990-327-0	O Ring (JW1530-18)	1
# 6	150-108-5	Valve Plug	1	#46	145-840-7	Casing Cover	1	#81	990-329-0	O Ring (JW1530-19)	1
# 7	147-091-2	Air Inlet Bushing	1	#47	145-924-6	Name Plate	1	#82	990-337-0	O Ring (JW1530-27)	2
# 8	147-780-3	Exhaust Stack	1	#47-1	145-924-7	Name Plate (ULT60D)	1	#83	990-605-0	O Ring (25X1.45)	1
# 9	147-042-2	Silencer	1	#47-2	145-924-8	Name Plate (ULT60L)	1	#84	990-621-0	O Ring (3.8X1.8X1.0)	1
#10	145-835-6	Filter (K50)	1	#47-3	145-924-9	Name Plate (ULT60DL)	1	#85	990-900-0	O Ring (SNS-2)	3
#10-1	145-835-8	Filter (K100) for ULT60L	1	#48	930-205-0	Pin (No.0 X 2.6)	2	#86	990-901-0	O Ring (SNS-3)	1
#10-2	145-835-8	Filter (K100) for ULT60DL	1	#49	944-002-0	Support Ring (2.6X4.5X1)	1	#87	990-912-0	O Ring (SNS-14)	1
#11	147-100-2	Valve	1	#50	944-212-0	Support Ring (12X16X1.5)	1	#88	990-914-0	O Ring (SNS-16)	1
#12	142-104-6	Valve Rod	1	#51	944-217-0	Support Ring (14X20X1.8)	2	#89	990-916-0	O Ring (SNS-18)	3
#13	147-107-2	Valve Lever	1	#52	952-106-0	Allen Head Dog Point Screw (M4X6)	1	#90	990-305-0	O Ring (ARP568-003)	1
#14	147-210-2	Reverse Valve	1	#53	966-099-0	Allen Head Plug (NPT1/16)	1	#91	992-020-0	SU-Ring (Q12)	1
#15	147-211-2	Reverse Valve Bushing	1	#54	970-013-0	Pin (H) (1.5X4)	1	#92	174-790-0	Suspension Ring	1
#16	480-212-8	Reverse Lever	1	#55	970-130-0	Pin (H) (2.45X4.5)	2	Parts for ULT60D & 60DL			
#17	145-291-7	Rear Plate Spacer	1	#56	970-131-0	Pin (H) (2.45X9.5)	2	#93	145-350-7	Driver Anvil	1
#18	145-285-6	Rear Plate	1	#57	971-102-0	Pin (2X3.8)	1	#94	011-351-1	Bit Sleeve (1/8)	1
#19	145-286-6	Cylinder	1	#58	971-123-0	Pin (2X3)	1	#95	011-352-1	Bit Spacer	1
#20	145-287-6	Rotor	1	#59	973-008-0	Roll Pin (2X8)	2	#96	976-327-0	Spring (13.5X11)	1
#21	147-288-2	Blade (PC)	9	#60	973-014-0	Roll Pin (2X14)	1	#97	978-117-0	Snap Ring (11.7X1)	1
#22	145-289-6	Front Plate	1	#61	973-040-0	Roll Pin (1.5X5)	2	#98	981-002-0	Ball (1/8)	1
#23	147-036-2	Hammer Casing Connector	1	#62	975-752-0	Adjusting Spacer (15X10X1)	1	PARTS FOR (TM)-TYPE			
#24	145-439-7	Front Casing	1	#63	976-006-0	Spring (3X5)	1	#99	851-016-1	Handle	1
#25	190-328-6	Anvil Bushing	1	#64	976-457-0	Spring (7X12)	1	#100	851-017-1	Valve Cover	1
#26	145-901-6	Rear Liner Plate	1	#65	976-792-0	Spring (3.5X21) WPC	2	#101	851-050-1	Valve Spacer	1
#27	145-902-6	Liner	1	#66	976-646-0	Spring (4.5X9)	1	#102	850-610-1	Connecting Screw	1
#28	145-546-6	Piston	1	#66-1	976-658-0	Spring (4.4X9) for ULT60L	1	#103	909-442-0	Quick Exhaust (AQ240F-04-00)	1
#29	145-929-6	Check Valve Cover	1	#66-1	976-659-0	Spring (4.3X9) for ULT60DL	1	#104	929-050-0	Cupling (3)	1
#30	145-130-6	Operating Rod (2.1X58)	1	#67	976-650-0	Spring (3.3X16) [Standard]	1	#105	935-240-0	Nylon Tube (18NY)	1
#31	891-552-1	Anvil CP (P)	1	#67-1	976-661-0	Spring (3.3X17) [Weaker]	1	#106	935-350-0	Polyurethane Hose (F-1504)	1
#31-1	145-319-6	Anvil (O)	1	#67-2	976-662-0	Spring (3.3X18) [Strong]	1	#108	957-006-0	Cross Pan Head Screw (M3X6)	1
#31-2	891-300-1	Socket Pin Assembly	1	#68	976-657-0	Spring (2.9X7.7)	1	#112	990-916-0	O Ring (SNS-18)	1
#32	145-440-6	Driving Blade	2	#68-1	976-667-0	Spring (2.8X7.9) for ULT60D	1	ACCESSORIES			
#33	145-974-6	Roller Pin (2.5X26)	2	#68-2	976-668-0	Spring (2.8X7.8) for ULT60L	1	#113	939-091-0	Allen Wrench (1.5)	1
#34	145-973-6	Liner Casing Spacer	1	#68-3	976-673-0	Spring (2.8X7.8) for ULT60DL	1	#114	939-105-0	Allen Wrench (4)	1
#35	145-904-6	Front Liner Plate	1	#69	976-665-0	Spring (4.3X19)	1	#115	909-449-0	Speed Controller	1
#36	145-905-6	Liner Casing	1	#70	976-653-0	Spring (2.4X5)	1				
#37	145-906-6	Liner Casing Cover	1	#71	981-001-0	Ball (3/32)	1				
#38	145-907-6	Relief Valve Spindle	1	#72	981-002-0	Ball (1/8)	1				
				#73	981-003-0	Ball (5/32)	1				

When ordering spare parts, please Specify tool type, code number and part name.

Printed Japan



URYU SEISAKU, LTD. Osaka Japan

OKA-472-03-03-14-2003