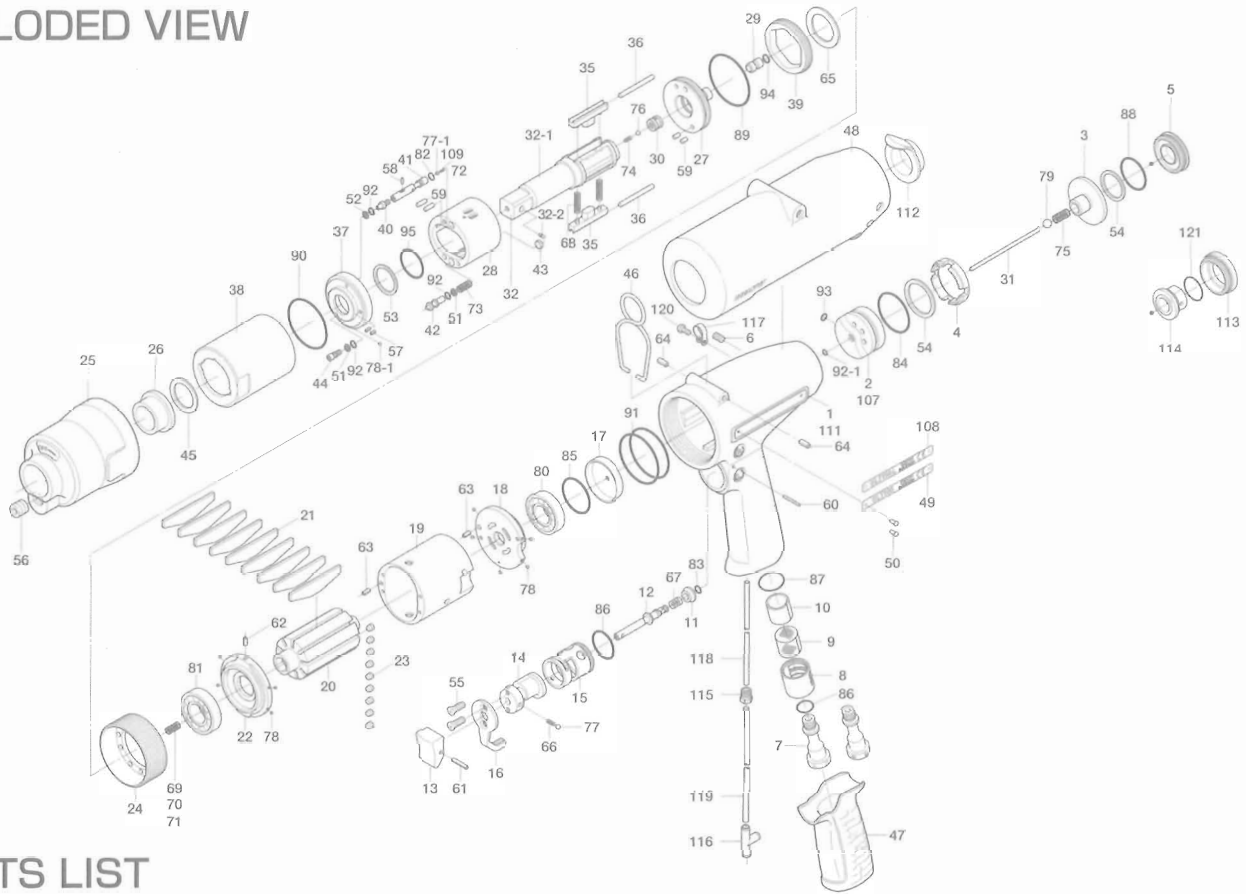


ULT100 SERIES OIL-PULSE WRENCHES

EXPLODED VIEW



PARTS LIST

Index No.	Code No.	Parts Name	Quantity	Index No.	Code No.	Parts Name	Quantity	Index No.	Code No.	Parts Name	Quantity
# 1	148-025-2	Handle	1	#42	147-972-8	Accumulator	1	#80	982-949-0	Ball Bearing (16001)	1
# 2	148-253-2	Shut-Off Valve Bushing	1	#43	148-908-2	Accumulator Cover	1	#81	982-950-0	Ball Bearing (16002)	1
# 3	147-254-9	Shut-Off Valve	1	#44	194-742-3	Oil Plug	1	#82	990-320-0	O-Ring (ARP568-003)	1
# 4	147-684-8	Cushion Spacer	1	#45	147-327-8	Anvil Front Spacer	1	#83	990-306-0	O-Ring (ARP-568-004)(H)	1
# 5	147-019-8	Valve Cover	1	#46	174-790-0	Suspension Ring	1	#84	990-331-0	O-Ring (JW1530-21)	1
# 6	150-108-5	Valve Plug	1	#47	147-842-2	Handle Cover	1	#85	990-334-0	O-Ring (JW1530-24)	1
# 7	148-091-3	Air Inlet Bushing	1	#48	148-840-2	Casing Cover	1	#86	990-914-0	O-Ring (SNS-16)	2
# 8	147-780-9	Exhaust Stack	1	#49	148-924-2	Name Plate	1	#87	990-919-0	O-Ring (SNS-22)	1
# 9	147-042-8	Silencer	1	#50	930-205-0	Pin(No.0×2.6)	2	#88	990-923-0	O-Ring (SNS-26)	1
#10	148-835-2	Filter (K50)	1	#51	944-003-0	Supporting Ring (3×5×1)	2	#89	990-929-0	O-Ring (SNS-36)	1
#11	147-100-8	Valve	1	#52	944-203-0	Supporting Ring (3.1×5.1)	1	#90	990-928-0	O-Ring (SNS-38)	1
#12	142-104-8	Valve Rod	1	#53	944-215-0	Supporting Ring (16×19.9×1.5)	1	#91	990-938-0	O-Ring (SNS-48)	2
#13	147-107-2	Valve Lever	1	#54	944-222-0	Supporting Ring (20×27.5×1.5)	2	#92	990-970-0	O-Ring (SNS-2)	3
#14	147-210-8	Reverse Valve	1	#55	948-423-0	Allen Flush Head Screw (M3×6)	2	#92-1	990-970-0	O-Ring (SNS-2)	1
#15	147-211-8	Reverse Valve Bushing	1	#56	966-099-0	Allen Head Plug 1/16 (GM Type)	1	#93	990-971-0	O-Ring (SNS-3) (NOK)	1
#16	147-212-8	Reverse Lever	1	#57	969-450-0	Pin (G) (3×8)	2	#94	990-305-0	O-Ring (ARP568-003)(KS)	1
#17	147-291-9	Rear Plate Spacer	1	#58	970-091-0	Pin (H) (2×4.5)	1	#95	992-021-0	SU-Ring (Q16)(NTN)	1
#18	148-285-2	Rear Plate	1	#59	970-205-0	Pin (H) (3×7)	4	for ULT100L			
#19	148-286-2	Cylinder	1	#60	971-125-0	Pin (2×25)	1	#107	148-253-3	Shut-Off Valve Bushing	1
#20	148-287-2	Rotor	1	#61	973-014-0	Roll Pin (2×14)	1	#108	148-924-3	Name Plate	1
#21	148-288-2	Blade (PC)	9	#62	973-006-0	Roll Pin (2×6)	1	#109	976-656-0	Spring (2.9×8.5)(0.4)	1
#22	148-289-2	Front Plate	1	#63	973-068-0	Roll Pin (2.5×8)	2	for (TM)-TYPE			
#23	148-064-2	Plug	9	#64	973-308-0	Roll Pin (5×8)	2	#111	851-059-1	Handle	1
#24	148-036-2	Hammer Casing Protector	1	#65	975-780-0	Adjusting Spacer (21×13×t)	1	#112	851-060-1	Cap	1
#25	148-439-2	Front Casing	1	#66	976-006-0	Spring (3×5)	1	#113	851-011-1	Valve Cover	1
#26	147-328-8	Anvil Bushing	1	#67	976-643-0	Spring (7.5×9.7)(0.9)	1	#114	851-052-1	Valve Spacer	1
#27	148-901-2	Rear Liner Plate	1	#68	976-783-0	Spring (4.3×36)(0.55)WPC	2	#115	850-610-1	Connecting Screw	1
#28	148-902-2	Liner	1	#69	976-650-0	Spring 3.3×16 (0.45)	1	#116	909-442-0	Quick Exhaust (AQ240F-04-00)	1
#29	145-546-6	Piston	1	#70	976-697-0	Spring 3.3×17 (0.45)	1	#117	929-050-0	Coupling (3)	1
#30	145-929-6	Check Valve Cover	1	#71	976-662-0	Spring 3.3×18 (0.45)	1	#118	935-240-0	Nylon Tube (18NY)	1
#31	148-130-2	Operating Rod (2.1×65.9)	1	#72	976-707-0	Spring (2.9×7.7)(0.45)	1	#119	935-350-0	Polyurethane Hose (F-1504)	1
#32	891-562-1	Anvil Assembly (P)	1	#73	976-699-0	Spring (4.8×29.5)(0.6)	1	#120	957-006-0	Cross Pan Head Screw (M3×4)	1
#32-1	148-319-2	Anvil (O)	1	#74	976-645-0	Spring (2.4×5)(0.3)	1	#121	990-020-0	O-Ring (SNS-25)	1
#32-2	891-304-1	Socket Pin Assy.	1	#75	977-042-0	Cone Spring (3.5×4.7×8.4)(0.55)WPC	1	ACCESSORIES			
#35	148-440-2	Driving Blade	2	#76	981-001-0	Ball (2/32)	1	#122	939-091-0	Allen Wrench (1.5)	1
#36	148-974-2	Roller Pin(3×35)	2	#77	981-002-0	Ball (1/8)	1	#123	939-105-0	Allen Wrench (4)	1
#37	148-904-2	Front Liner Plate	1	#77-1	981-002-0	Ball (1/8)	1	#124	909-449-0	Speed Controller	1
#38	148-905-2	Liner Casing	1	#78	981-045-0	Ball (1.5)	1				
#39	148-906-2	Liner Casing Cover	1	#78-1	981-045-0	Ball (1.5)	1				
#40	174-907-2	Relief Valve Spindle	1	#79	981-245-0	Ball (4.5MM)	1				
#41	148-970-2	Relief Valve	1								

When ordering spare parts, please Specify tool type, code number and part name.

Printed Japan



URYU SEISAKU, LTD. Osaka Japan

For further information, please contact at any time your nearest URYU distributor.

OKA-489-04-01-07-2001