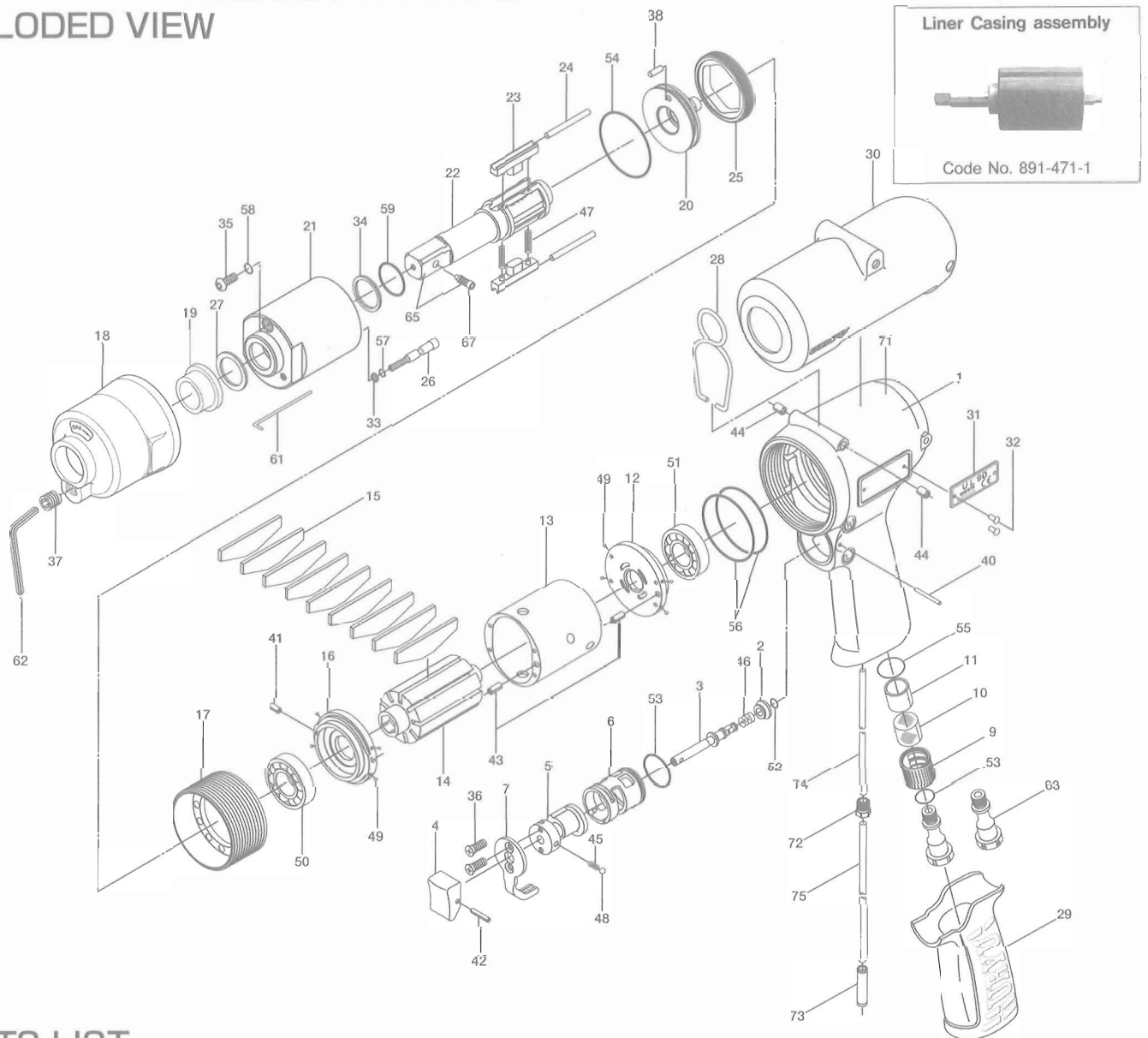


UL90 OIL-PULSE WRENCH

EXPLODED VIEW



PARTS LIST

Index No.	Code No.	Parts Name	Quantity	Index No.	Code No.	Parts Name	Quantity	Index No.	Code No.	Parts Name	Quantity
# 1	143-025-9	Handle	1	#25	143-906-9	Liner Casing Cover	1	#50	982-903-0	Ball Bearing (6902)	1
# 2	147-100-8	Valve	1	#26	143-970-9	Relief Valve	1	#51	982-949-0	Ball Bearing (16001)	1
# 3	147-104-8	Valve Rod	1	#27	147-327-8	Anvil Front Spacer	1	#52	990-306-0	O-Ring (ARP-568-004) (H)	1
# 4	147-107-2	Valve Lever	1	#28	174-790-0	Suspension Bail	1	#53	990-914-0	O-Ring (SNS-16)	2
# 5	147-210-8	Reverse Valve	1	#29	147-842-2	Handle Cover	1	#54	990-915-0	O-Ring (SNS-29)	1
# 6	147-211-8	Reverse Valve Bushing	1	#30	143-840-9	Casing Protector	1	#55	990-919-0	O-Ring (SNS-22)	1
# 7	147-212-8	Reverse Lever	1	#31	143-924-9	Name Plate	1	#56	990-932-0	O-Ring (SNS-42)	2
#63	147-091-8	Air Inlet Bushing	1	#32	930-205-0	Screw (No.0x2.6)	2	#57	990-970-0	O-Ring (SNS-2)	1
# 9	147-780-9	Exhaust Stack	1	#33	944-002-0	Supporting Ring (2.6x4.5x1)	1	#58	990-971-0	O-Ring (SNS-3)	1
#10	147-042-8	Silencer	1	#34	944-215-0	Supporting Ring (16x19.9x1.5)	1	#59	992-021-0	SU-Ring (Q16) (NTN)	1
#11	147-835-8	Filter (K100)	1	#35	945-942-0	Hexagon Round Head Bolt (M4x6)	1	#65	891-556-1	Anvil Assembly (P)	1
#12	143-285-9	Rear Plate	1	#36	948-423-0	Allen Flush Head Screw (M3X6)	2	#66	143-319-9	Anvil	1
#13	143-286-9	Cylinder	1	#37	966-099-0	Allen Head Plug (NPT1/16)	1	#67	891-304-1	Socket Pin Assembly (1/2)	1
#14	147-287-8	Rotor	1	#38	970-204-0	Pin (3x6)	1	PARTS FOR (TM)-TYPE			
#15	147-288-8	Blade (PC)	9	#40	971-125-0	Pin (2x25)	1	#71	851-041-1	Handle	1
#16	143-289-9	Front Plate	1	#41	973-006-0	Roll Pin (2x6)	1	#72	850-610-1	Connecting Screw	1
#17	143-036-9	Hammer Casing Connector	1	#42	973-014-0	Roll Pin (2x14)	1	#73	933-250-0	One-Touch Connector (SLS-04)	1
#18	143-439-9	Front Casing	1	#43	973-068-0	Roll Pin (2.5x8)	2	#74	935-240-0	Nylon Tube (18NY)	1
#19	147-328-8	Anvil Bushing	1	#44	973-308-0	Roll Pin (5x8)	1	#75	935-350-0	Polyurethane Hose (F1504)	1
#20	143-901-9	Rear Liner Plate	1	#45	976-006-0	Spring (3x5)(0.4)	1	ACCESSORIES			
#21	143-902-9	Liner	1	#46	976-643-0	Spring (7.5x9.7)(0.9)	1	#61	939-091-0	Allen Wrench (1.5)	1
#22	143-319-9	Anvil	1	#47	976-794-0	Spring (3.8x33)(0.5) WPC	2	#62	939-105-0	Allen Wrench (4)	1
#23	147-440-8	Driving Blade	2	#48	981-002-0	Ball (1/8)	1				
#24	147-974-8	Roller(2.5x30)	2	#49	981-045-0	Ball (1.5mm)	3				

When ordering spare parts, please specify tool type, code number and parts name.

Printed in Japan



URYU SEISAKU, LTD. Osaka, Japan

For further information, please contact at any time your nearest URYU distributor.

OKA-477-04-03-12-2002