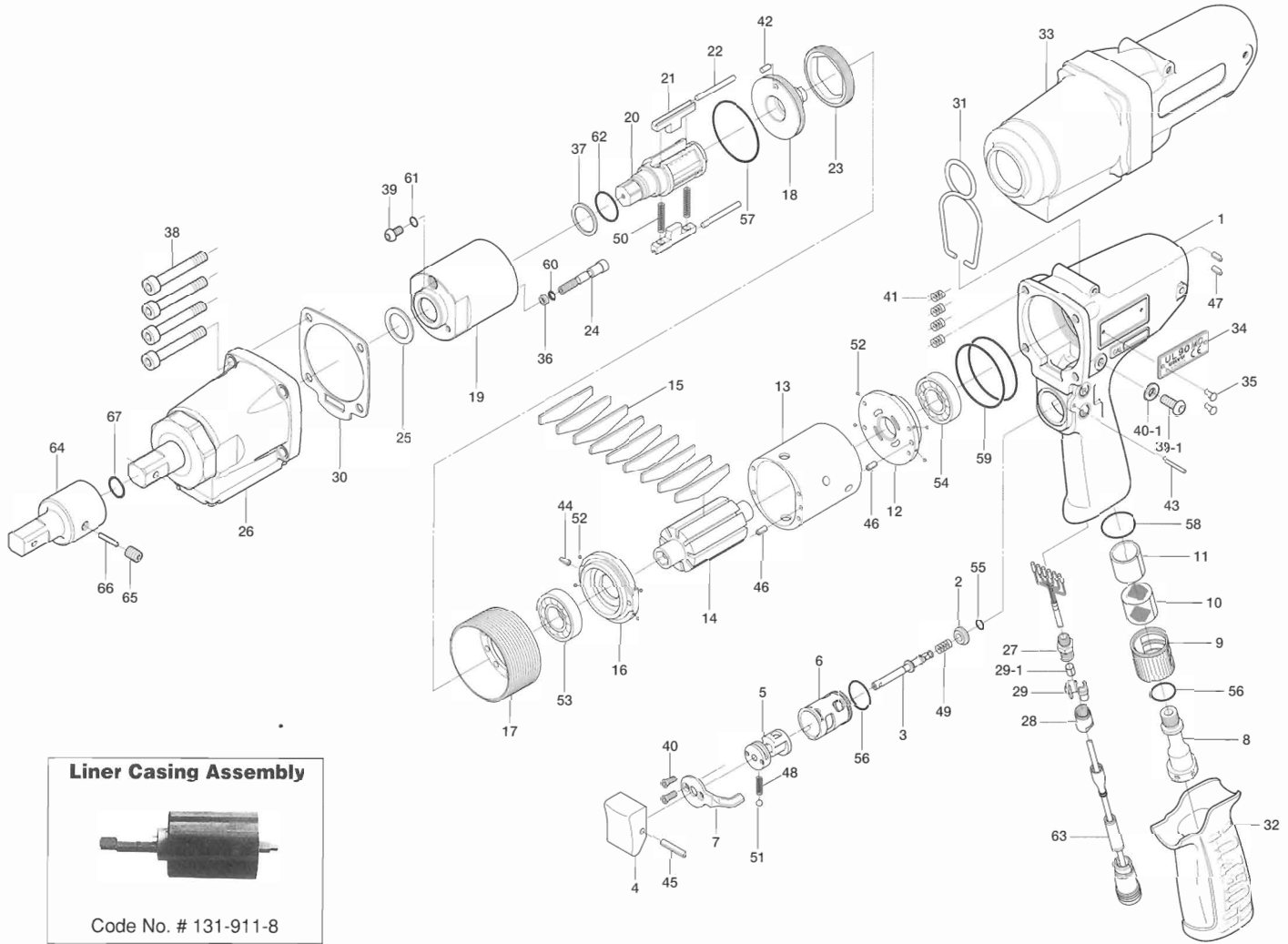


UL90MC OIL-PULSE WRENCH

EXPLODED VIEW



Liner Casing Assembly

Code No. # 131-911-8

PARTS LIST

Index No.	Code No.	Parts Name	Quantity	Index No.	Code No.	Parts Name	Quantity	Index No.	Code No.	Parts Name	Quantity
# 1	131-025-8	Handle	1	#27	851-301-1	Connector	1	#47	973-308-0	Roll Pin (5×8)	2
# 2	147-100-8	Valve	1	#28	851-302-1	Cap	1	#48	976-006-0	Spring (3×5)	1
# 3	147-104-8	Valve Rod	1	#29	851-303-1	Stopper	2	#49	976-643-0	Spring (7.5×9.7)(0.9)	1
# 4	147-107-2	Valve Lever	1	#29-1	131-395-8	Outer Ring	1	#50	976-794-0	Spring (3.8×33)(0.5)	2
# 5	147-210-8	Reverse Valve	1	#30	149-867-5	Front Casing Packing	1	#51	981-002-0	Ball (1/8)	1
# 6	147-211-8	Reverse Valve Bushing	1	#31	174-790-0	Suspension Ring	1	#52	981-045-0	Ball (1.5)	8
# 7	147-212-8	Reverse Lever	1	#32	147-842-2	Handle Cover	1	#53	982-903-0	Ball Bearing (6902)	1
# 8	147-091-8	Air Inlet Bushing	1	#33	131-840-8	Body Jacket	1	#54	982-949-0	Ball Bearing (16001)	1
# 9	147-780-9	Exhaust Stack	1	#34	131-924-8	Metal Tag	1	#55	990-306-0	O-Ring (ARP-568-004)(H)	1
#10	147-042-8	Silencer	1	#35	930-205-0	Driver Rivet No.0x2.6	2	#56	990-914-0	O-Ring (SNS-16)	2
#11	147-835-8	Filter (K100)	1	#36	944-002-0	Supporting Ring (2.6×4.5×1)	1	#57	990-915-0	O-Ring (SNS-29)	1
#12	143-285-9	Rear Plate	1	#37	944-215-0	Supporting Ring (16×19.9×1.5)	1	#58	990-919-0	O-Ring (SNS-22)	1
#13	143-286-9	Cylinder	1	#38	945-117-0	Allen Head Bolt (M5×16)	4	#59	990-932-0	O-Ring (SNS-42)	2
#14	147-287-8	Rotor	1	#39	945-942-0	Hexagon Round Head Bolt (M4×6)	1	#60	990-970-0	O-Ring (SNS-2)	1
#15	147-288-8	Blade (PC)	9			Hexagon Round Head Bolt (M5×6)	1	#61	990-971-0	O-Ring (SNS-3) (NOK)	1
#16	143-289-9	Front Plate	1	#39-1	945-949-0	Hexagon Round Head Bolt (M3×6)	1	#62	992-021-0	SU-Ring(Q16)(NTN)	1
#17	143-036-9	Hammer Casing Connector	1	#40	948-423-0	Allen Flush Head Screw (M3×6)	2	#63	910-258-0	Joint Cable Assembly	1
#18	143-901-9	Rear Liner Plate	1			Flat Washer (5mm)	1	#64	904-190-0	Extension Bar (1/2×60) (MC)	1
#19	143-902-9	Liner	1	#40-1	961-012-0	Heli-Sert (M5×1.5D)	4	#65	953-205-0	Allen Head Flat Point Screw (M5×5)	1
#20	851-299-1	Anvil	1	#41	965-011-0	Pin (H) (3×6)	1	#66	971-220-0	Pin (3×20)	1
#21	147-440-9	Driving Blade	2	#42	970-204-0	Pin (H) (3×6)	1	#67	990-016-0	O-Ring (P16)	1
#22	147-974-8	Roller Pin (2.5×30)	2	#43	971-125-0	Pin (2×25)	1				
#23	143-906-9	Liner Casing Cover	1	#44	973-006-0	Roll Pin (2×6)	1				
#24	143-970-9	Relief Valve	1	#45	973-014-0	Roll Pin (2×14)	1				
#25	147-327-8	Anvil Front Spacer	1	#46	973-068-0	Roll Pin (2.5×8)	2				
#26	851-681-1	Sensor Casing Assembly (S08S)	1								

ACCESSORIES

#81	910-263-0	Sensor Cable Assembly (3F5)	1
#82	909-749-0	Solenoid Valve Assembly	1

When ordering spare parts, please specify tool type, code number and parts name.

Printed in Japan



URYU SEISAKU, LTD. Osaka, Japan

For further information, please contact at any time your nearest URYU distributor.

OKA-516-07-09-07-501