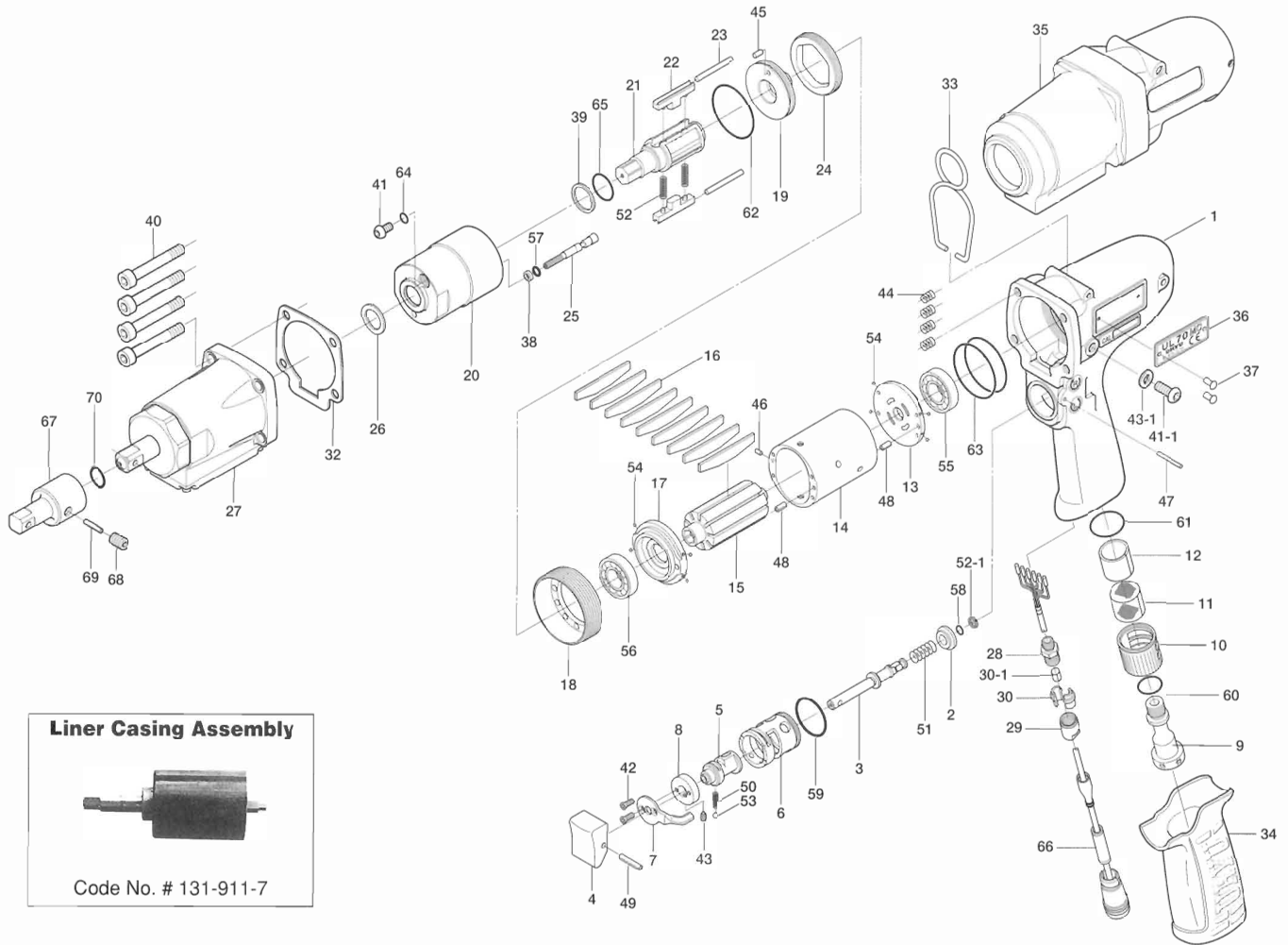
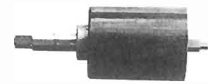


UL70MC OIL-PULSE WRENCH

EXPLODED VIEW



Liner Casing Assembly



Code No. # 131-911-7

PARTS LIST

Index No.	Code No.	Parts Name	Quantity	Index No.	Code No.	Parts Name	Quantity	Index No.	Code No.	Parts Name	Quantity
# 1	131-025-7	Handle	1	#29	851-302-1	Cap	1	#52	976-788-0	Spring (3.5×25)(0.45)WPC	2
# 2	147-100-3	Valve	1	#30	851-303-1	Stopper	2	#52-1	979-405-0	Outer Snap Ring (E2.5)	1
# 3	147-104-2	Valve Rod	1	#30-1	131-395-8	Outer Ring	1	#53	981-002-0	Ball (1/8)	1
# 4	147-107-2	Valve Lever	1	#32	131-867-7	Front Casing Packing	1	#54	981-045-0	Ball (1.5)	8
# 5	851-306-1	Reverse Valve	1	#33	174-790-0	Suspension Ring	1	#55	982-014-0	Ball Bearing (607)	1
# 6	851-359-1	Reverse Valve Bushing	1	#34	147-842-2	Handle Cover	1	#56	982-902-0	Ball Bearing (6901)	1
# 7	173-212-0	Reverse Lever	1	#35	131-840-7	Body Jacket	1	#57	990-320-0	O-Ring (ARP568-003)	1
# 8	851-307-1	Reverse Valve Spacer	1	#36	131-924-7	Metal Tag	1	#58	990-306-0	O-Ring (ARP-568-004)(H)	1
# 9	147-091-2	Air Inlet Bushing	1	#37	930-205-0	Driver Rivet No.0x2.6	2	#59	990-912-0	O-Ring (SNS-14)	1
#10	147-780-3	Exhaust Stack	1	#38	944-001-0	Supporting Ring (2.1×4×1)	1	#60	990-914-0	O-Ring (SNS-16)	1
#11	147-042-2	Silencer	1	#39	944-212-0	Supporting Ring (12×16×1.5)	1	#61	990-916-0	O-Ring (SNS-18)	1
#12	147-835-3	Filter (K200)	1	#40	945-117-0	Allen Head Bolt (M5×16)	4	#62	990-917-0	O-Ring (SNS-24)	1
#13	143-285-8	Rear Plate	1	#41	945-942-0	Hexagon Round Head Bolt (M4×6)	1	#63	990-929-0	O-Ring (SNS-36)	2
#14	143-286-8	Cylinder	1	#41-1	945-949-0	Hexagon Round Head Bolt (M5×6)	1	#64	990-971-0	O-Ring (SNS-3)	1
#15	143-287-8	Rotor	1	#42	948-423-0	Allen Flush Head Screw (M3×6)	1	#65	992-020-0	SU-Ring(Q12)(NTN)	1
#16	147-288-6	Blade (PC)	9	#43	952-006-0	Allen Head Dog Point Screw (M3×6)	1	#66	910-258-0	Joint Cable Assembly	1
#17	143-289-8	Front Plate	1	#43-1	961-012-0	Flat Washer (5MM)	1	#67	904-090-0	Extension Bar (3/8×45) (MC)	1
#18	143-036-8	Hammer Casing Connector	1	#44	965-011-0	Heli-Sert (M5×1.5D)	4	#68	953-104-0	Allen Head Flat Point Screw (M4×4)	1
#19	143-901-8	Rear Liner Plate	1	#45	970-147-0	Pin (H) (2.5×5)	1	#69	971-214-0	Pin (3×14)	1
#20	851-392-1	Liner	1	#46	971-102-0	Pin (2×3.8)	1	#70	990-011-0	O-Ring (P12)	1
#21	851-308-1	Anvil	1	#47	971-130-0	Pin (2×30)	1	ACCESSORIES			
#22	147-440-6	Driving Blade	2	#48	973-008-0	Roll Pin (2×8)	2	#81	910-263-0	Sensor Cable Assembly (3F5)	1
#23	147-974-6	Roller Pin (2.5×28)	2	#49	973-014-0	Roll Pin (2×14)	1	#82	909-749-0	Solenoid Valve Assembly	1
#24	143-906-8	Liner Casing Cover	1	#50	976-006-0	Spring (3×5)	1				
#25	143-970-8	Relief Valve	1	#51	976-457-0	Spring (7×12)(0.9)	1				
#26	178-327-9	Anvil Front Spacer	1								
#27	851-691-1	Sensor Casing Assembly (S06S)	1								
#28	851-301-1	Connector	1								

When ordering spare parts, please specify tool type, code number and parts name.

Printed in Japan



URYU SEISAKU, LTD. Osaka, Japan

For further information, please contact at any time your nearest URYU distributor.

OKA-515-07-09-07-501