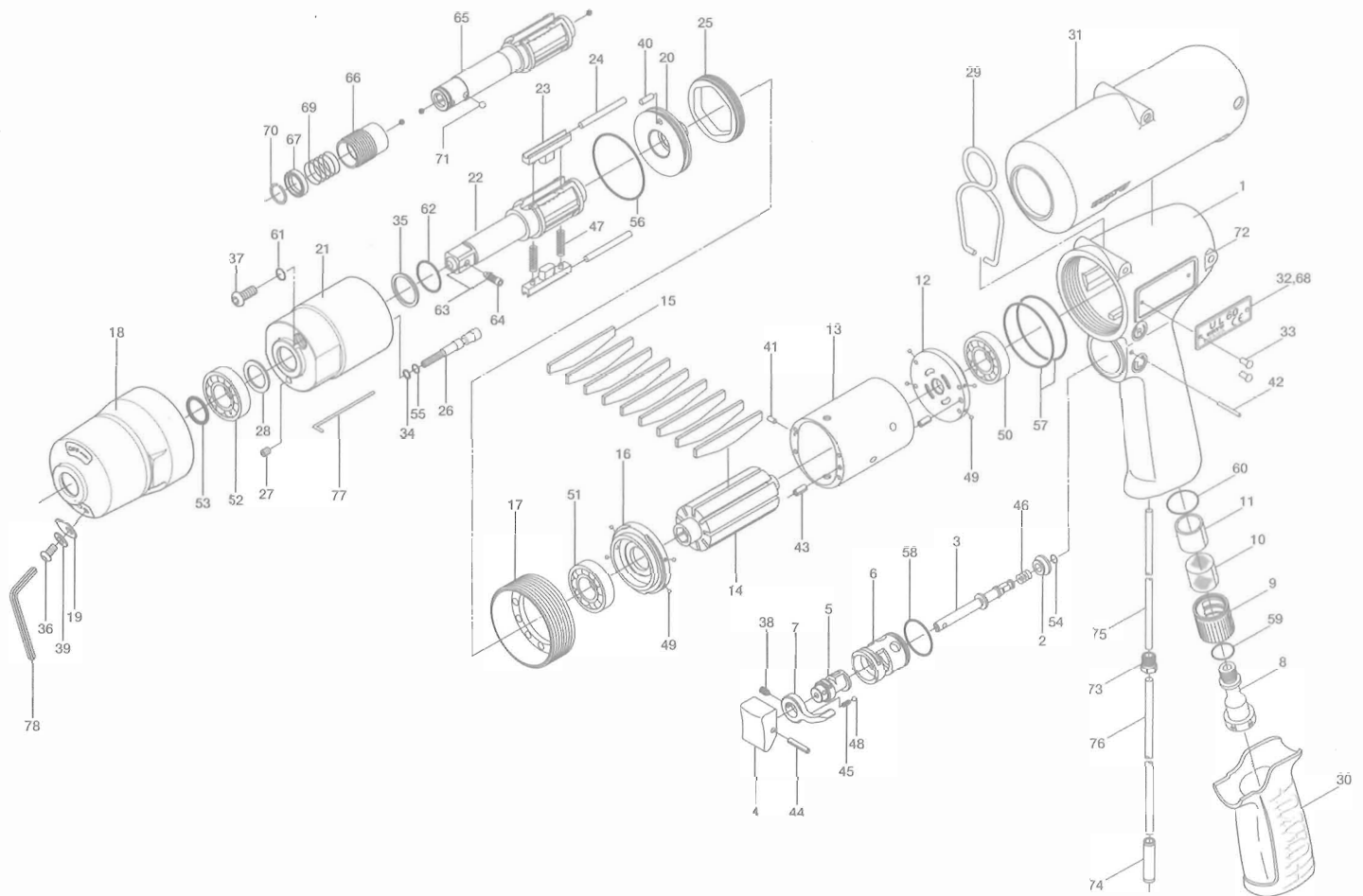


UL60 SERIES OIL-PULSE WRENCHES

EXPLODED VIEW



PARTS LIST

Index No.	Code No.	Parts Name	Quantity	Index No.	Code No.	Parts Name	Quantity	Index No.	Code No.	Parts Name	Quantity
# 1	143-025-6	Handle	1	#31	143-840-3	Handle Protector	1	#57	990-337-0	O-Ring (JW1530-27)	2
# 2	147-100-2	Valve	1	#32	143-924-6	Metal Tag	1	#58	990-912-0	O-Ring (SNS-14)	1
# 3	147-104-2	Valve Rod	1	#33	930-205-0	Driver Rivet No.0×2.6	2	#59	990-914-0	O-Ring (SNS-16)	1
# 4	147-107-2	Valve Lever	1	#34	944-002-0	Supporting Ring (2.6×4.5×1)	1	#60	990-916-0	O-Ring (SNS-18)	1
# 5	147-210-2	Reverse Valve	1	#35	944-212-0	Supporting Ring (12×16×1.5)	1	#61	990-971-0	O-Ring (SNS-3) (NOK)	1
# 6	147-211-2	Reverse Valve Bushing	1	#36	945-935-0	Hexagon Round Head Bolt (M3×6)	1	#62	992-020-0	SU-Ring (Q12) (NTN)	1
# 7	480-212-8	Reverse Lever	1	#37	945-942-0	Hexagon Round Head Bolt (M4×6)	1	#63	891-561-1	Anvil (P)	1
# 8	147-091-2	Air Inlet Bushing	1	#38	952-106-0	Allen Head Dog Point Screw (M4×6)	1	#64	891-300-1	Socket Pin Assembly (3/8)	1
# 9	147-780-3	Exhaust Stack	1					Parts for UL60D			
#10	147-042-2	Silencer	1	#39	961-008-0	Flat Washer (3mm)	1	#65	143-350-7	Driver Anvil	1
#11	147-835-3	Filter (K200)	1	#40	970-145-0	Pin (H) (2.5×3.5)	1	#66	011-351-1	Bit Sleeve (1/8)	1
#12	147-285-2	Rear Plate	1	#41	971-102-0	Pin (2×3.8)	1	#67	011-352-1	Bit Spacer	1
#13	147-286-2	Cylinder	1	#42	971-123-0	Pin (2×23)	1	#68	143-924-7	Metal Tag	1
#14	147-287-3	Rotor	1	#43	973-008-0	Roll Pin (2×8)	2	#69	976-327-0	Spring (13.5×11) (0.9)	1
#15	147-288-2	Blade (PC)	9	#44	973-014-0	Roll Pin (2×14)	1	#70	978-117-0	Snap Ring (11.7×1.0)	1
#16	147-289-3	Front Plate	1	#45	976-006-0	Spring (3×5)	1	#71	981-002-0	Ball (1/8)	1
#17	147-036-2	Hammer Casing Connector	1	#46	976-457-0	Spring (7×12) (0.9)	1	Parts for (TM)-TYPE			
#18	143-439-6	Front Casing	1	#47	976-788-0	Spring (3.5×25) (0.45)WPC	2	#72	851-056-1	Handle	1
#19	143-243-8	Regulator Valve Cover	1	#48	981-002-0	Ball (1/8)	1	#73	850-610-1	Connecting Screw	1
#20	143-901-6	Rear Liner Plate	1	#49	981-045-0	Ball (1.5)	8	#74	933-250-0	One-touch Connector (SLS-04)	1
#21	143-902-6	Liner	1	#50	982-014-0	Ball Bearing (607)	1	#75	935-240-0	Nylon Tube (13NY)	1
#22	143-319-6	Anvil (O)	1	#51	982-902-0	Ball Bearing (6901)	1	#76	935-350-0	Polyurethane Hose (F-1504)	1
#23	143-440-6	Driving Blade	2	#52	982-922-0	Ball Bearing (6901ZZ)	1	Accessories			
#24	143-974-6	Roller (2.5×25)	2	#53	993-100-0	Rubber Sponge Ring (12×16.5×2)	1	#77	939-091-0	Allen Wrench (1.5)	1
#25	143-906-3	Liner Casing Cover	1	#54	990-306-0	O-Ring (ARP-568-004) (H)	1	#78	939-107-0	Allen Wrench (2)	1
#26	143-970-6	Relief Valve	1	#55	990-320-0	O-Ring (ARP568-003)	1	#79	916-810-0	(+)Double Bit (No.3×75)	1
#27	136-969-7	Relief Valve Plate	1	#56	990-331-0	O-Ring (JW1530-21)	1				
#28	178-327-9	Anvil Front Spacer	1								
#29	174-790-0	Suspension Ring	1								
#30	147-842-2	Handle Cover	1								

When ordering spare parts, please specify tool type, code number and parts name.

Printed in Japan



URYU SEISAKU, LTD. Osaka, Japan

For further information, please contact at any time your nearest URYU distributor.

OKA-485-04-03-23-3002