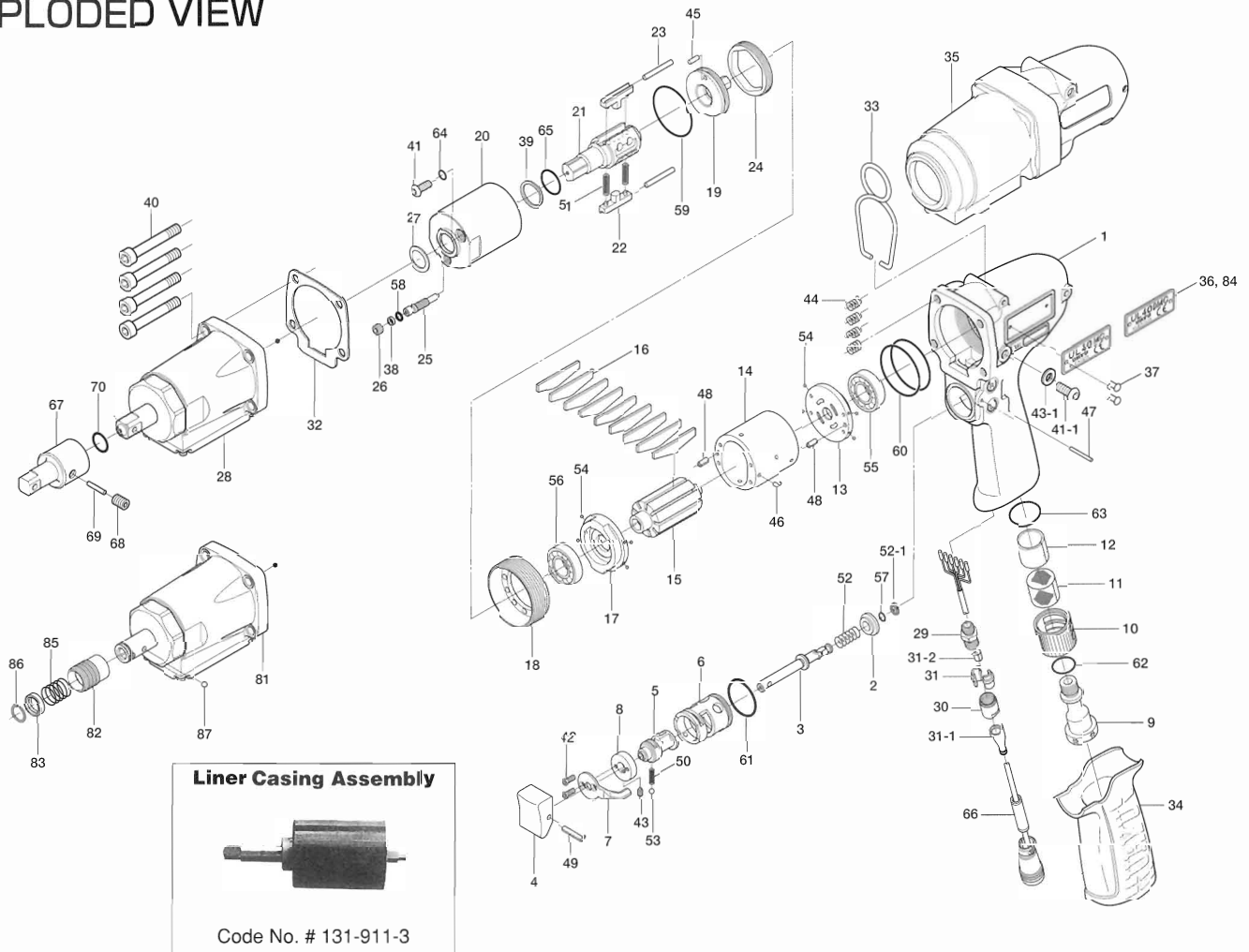


# UL40MC/40DMC SERIES OIL-PULSE WRENCH

## EXPLODED VIEW



**Liner Casing Assembly**

Code No. # 131-911-3

## PARTS LIST

Index No.	Code No.	Parts Name	Quantity	Index No.	Code No.	Parts Name	Quantity	Index No.	Code No.	Parts Name	Quantity
# 1	131-025-5	Handle	1	#31-1	131-564-8	Lock Sleeve Cover	1	#55	982-014-0	Ball Bearing (607)	1
# 2	147-100-3	Valve	1	#31-2	131-395-8	Outer Ring	1	#56	982-901-0	Ball Bearing (6900)	1
# 3	147-104-2	Valve Rod	1	#32	149-867-2	Front Casing Packing	1	#57	990-306-0	O-Ring (ARP568-004)(H)	1
# 4	147-107-2	Valve Lever	1	#33	174-790-0	Suspension Ring	1	#58	990-320-0	O-Ring (ARP568-003)	1
# 5	851-306-1	Reverse Valve	1	#34	147-842-2	Handle Cover	1	#59	990-331-0	O-Ring (JW1530-21)	1
# 6	851-359-1	Reverse Valve Bushing	1	#35	131-840-5	Body Jacket	1	#60	990-337-0	O-Ring (JW1530-27)	2
# 7	173-212-0	Reverse Lever	1	#36	131-924-3	Metal Tag	1	#61	990-912-0	O-Ring (SNS-14)	1
# 8	851-307-1	Reverse Valve Spacer	1	#37	930-205-0	Driver Rivet No.0×2.6	2	#62	990-914-0	O-Ring (SNS-16)	1
# 9	142-091-8	Air Inlet Bushing	1	#38	944-002-0	Supporting Ring (2.6×4.5×1)	1	#63	990-916-0	O-Ring (SNS-18)	1
#10	147-780-3	Exhaust Stack	1	#39	944-212-0	Supporting Ring (12×16×1.5)	1	#64	990-971-0	O-Ring (SNS-3) (NOK)	1
#11	147-042-2	Silencer	1	#40	945-117-0	Allen Head Bolt (M5×16)	4	#65	992-020-0	SU-Ring (Q12)(NTN)	1
#12	145-835-8	Filter (K100)	1	#41	945-942-0	Hexagon Round Head Bolt (M4×6)	1	#66	910-258-0	Joint Cable Assembly	1
#13	131-285-3	Rear Plate	1	#41-1	945-949-0	Hexagon Round Head Bolt (M5×6)	1	#67	904-090-0	Extension Bar (3/8×45) (MC)	1
#14	131-286-3	Cylinder	1	#42	948-423-0	Allen Flush Head Screw (M3×6)	2	#68	953-104-0	Allen Head Flat Point Screw (M4×4)	1
#15	143-287-0	Rotor	1	#43	952-006-0	Allen Head Dog Point Screw (M3×6)	1	#69	971-214-0	Pin (3×14)	1
#16	143-288-0	Blade (PC)	9	#43-1	961-012-0	Flat Washer (5MM)	1	#70	990-011-0	O-Ring (P12)	1
#17	131-289-3	Front Plate	1	#44	965-011-0	Helix-Sert (M5×1.5D)	4	<b>UL40DMC</b>			
#18	147-036-2	Hammer Casing Connector	1	#45	970-148-0	Pin (H) (2.5×3.8)	1	#81	851-678-1	Sensor Casing Assembly (S02D)	1
#19	131-901-3	Rear Liner Plate	1	#46	971-102-0	Pin (2×3.8)	1	#82	011-351-1	Bit Sleeve	1
#20	136-902-5	Liner	1	#47	971-130-0	Pin (2×30)	1	#83	011-352-1	Bit Spacer	1
#21	137-319-3	Anvil	1	#48	973-008-0	Roll Pin (2×8)	2	#84	130-924-6	Metal Tag	1
#22	145-440-0	Driving Blade	2	#49	973-014-0	Roll Pin (2×14)	1	#85	976-327-0	Spring (13.5×11)(0.9)	1
#23	145-974-0	Roller Pin (2.5×21)	2	#50	976-006-0	Spring (3×5)	2	#86	978-117-0	Snap Ring (11.7×1)	1
#24	143-906-3	Liner Casing Cover	1	#51	976-791-0	Spring (3.3×21)(0.4)	2	#87	981-002-0	Ball (1/8)	1
#25	136-907-7	Relief Valve Spindle	1	#52	976-457-0	Spring (7×12)(0.9)	1	<b>ACCESSORIES</b>			
#26	136-969-7	Relief Valve Plate	1	#52-1	979-405-0	Outer Snap Ring (E2.5)	1	#91	910-263-0	Sensor Cable Assembly (3F5)	1
#27	178-327-9	Anvil Front Spacer	1	#53	981-002-0	Ball (1/8)	1	#92	909-749-0	Solenoid Valve Assembly	1
#28	851-677-1	Sensor Casing Assembly (S02S)	1	#54	981-045-0	Ball (1.5)	8				
#29	851-301-1	Connector	1								
#30	851-302-1	Cap	1								
#31	851-303-1	Stopper	2								

When ordering spare parts, please specify tool type, code number and parts name.

Printed in Japan



**URYU SEISAKU, LTD.** Osaka, Japan

For further information, please contact at any time your nearest URYU distributor.

OKA-512-07-08-03-501