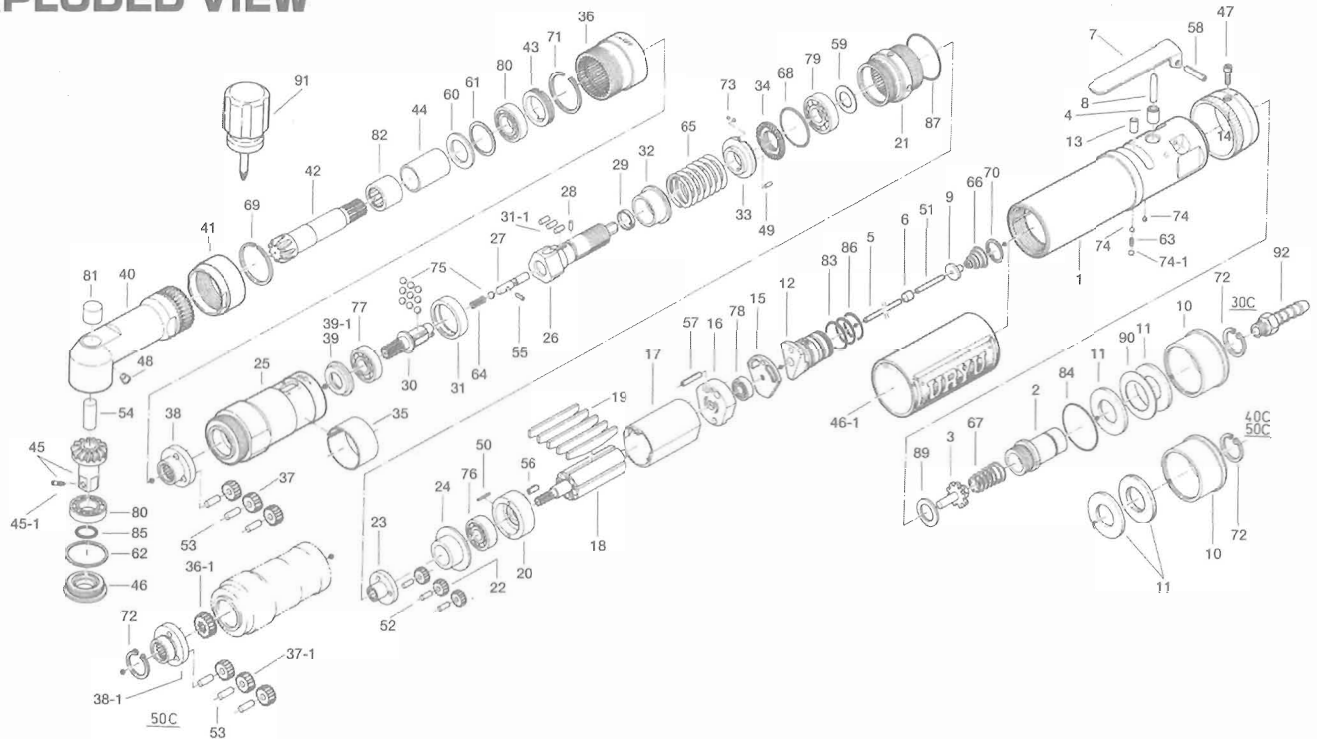


UAN-611R-30C, 40C&50C Torque Control Angle Nutrunners

EXPLODED VIEW



PARTS LIST

Index No.	Code No.	Parts Name	Quantity	Index No.	Code No.	Parts Name	Quantity	Index No.	Code No.	Parts Name	Quantity
# 1	268-025-7	Casing	1	#44	259-567-2	Bushing	1	#81	988-480-0	Needle Roller Bearing (BK0810)	1
# 2	259-091-6	Air Inlet Bushing	1	#45	895-069-1	Driven Gear Assy (P)	1	#82	988-393-0	Needle Roller Bearing (NF-1416)	1
# 3	259-100-6	Valve	1	#45-1	891-300-1	Socket Retainer Pin Assy	1	#83	990-590-0	O-Ring (17×1)	2
# 4	553-103-1	Valve Rod Bushing	1	#46	268-488-6	Angle Casing Cover	1	#84	990-603-0	O-Ring (28.5×1.3)	1
# 5	268-104-6	Valve Rod	1	#46-1	268-840-6	Handle Protector	1	#85	990-910-0	O-Ring (SNS-12.5)	1
# 6	444-106-8	Valve Rod Cap	1	#47	945-001-0	Allen Head Bolt (M3×10)	1	#86	990-914-0	O-Ring (SNS-16)	1
# 7	196-107-7	Valve Lever	1	#48	968-130-0	Grease Cup (3/16)	1	#87	990-924-0	O-Ring (SNS-30)	1
# 8	259-114-0	Valve Spindle	1	#49	970-092-0	Pin (H) (2×5.5)	1	#89	996-433-0	Urethane Packing (19×12×1)	1
# 9	259-254-6	Shut-Off Valve	1	#50	971-110-0	Pin (2×10)	1	Parts for UAN-611R-30C			
#10	259-780-6	Exhaust Stack	1	#51	970-104-0	Pin (H) (2×21.5)	1	#30	268-346-6	Cam	1
#11	259-835-6	Filter	2	#52	972-089-0	Roller Pin (3×8)	3	#37	499-470-7	Second Planet Gear	3
#12	268-210-7	Reverse Valve	1	#53	972-111-0	Roller Pin (4×11)	3	#38	259-485-0	Second Gear Cage	1
#13	268-211-6	Reverse Valve Bushing	1	#54	972-320-0	Roller Pin (8×20)	1	#39	268-487-6	Second Gear Cage Spacer	1
#14	268-212-6	Reverse Lever	1	#55	969-470-0	Pin (E) (2×8)	1	#77	982-016-0	Ball Bearing (609)	1
#15	268-291-7	Rear Plate Spacer	1	#56	973-108-0	Roll Pin (3×8)	1	#90	996-459-0	Urethane Packing (32×22×0.5)	1
#16	259-285-0	Rear Plate	1	#57	973-116-0	Roll Pin (3×16)	1	Parts for UAN-611R-40C			
#17	259-286-0	Cylinder	1	#58	973-124-0	Roll Pin (3×24)	1	#30	268-346-6	Cam	1
#18	259-287-0	Rotor	1	#59	975-106-0	Spacer (18.5×11×1)	1	#37	444-471-4	Second Planet Gear	3
#19	268-288-6	Blade (PC)	5	#60	975-166-0	Spacer (24×16×1.5)	1	#38	268-485-7	Second Gear Cage	1
#20	496-289-1	Front Plate	1	#61	975-806-0	Adjusting Spacer (24×20×1)	1	#39-1	268-487-7	Second Gear Cage Spacer	1
#21	463-029-8	Gear Casing	1	#62	975-807-0	Adjusting Spacer (28×25×1)	1	#77	982-902-0	Ball Bearing (6901)	1
#22	472-470-3	Planet Gear	3	#63	976-022-0	Spring (3×5.5×0.4)	1	Parts for UAN-611R-50C			
#23	472-480-3	Gear Cage	1	#64	976-058-0	Spring (4.5×11×0.4)	1	#30	268-346-6	Cam	1
#24	472-807-3	Spacer	1	#65	976-596-0	Spring (25.2×32.5×3.0)	1	#36-1	499-445-0	Middle Gear	3
#25	268-369-6	Clutch Casing	1	#66	977-072-0	Cone Spring (5.5×15×1.4)	1	#37-1	499-470-0	Second Planet Gear	1
#26	268-654-6	Cam Guide	1	#67	977-275-0	Cone Spring (11×14×32)	1	#38-1	259-485-1	Second Gear Cage	1
#27	268-318-6	Pilot Pin	1	#68	978-278-0	Snap Ring (28×1)	1	#39	268-487-6	Second Gear Cage Spacer	1
#28	471-764-7	Notch Pin	1	#69	978-308-0	Snap Ring (30×1.6)	1	#72	979-358-0	Inner Snap Ring (ISTW-17)	1
#29	471-670-7	Band	1	#70	979-009-0	Inner Snap Ring (16)	1	#77	982-016-0	Ball Bearing (609)	1
#31	259-375-0	Cam Ring	1	#71	979-206-0	Inner Snap Ring (28)	1	ACCESSORIES			
#31-1	268-651-6	Cam Roller	3	#72	979-358-0	Inner Snap Ring (ISTW-17)	1	#91	939-402-0	Manual Driver No.2	1
#32	268-164-7	Spring Setter	1	#73	981-001-0	Ball (3/32)	2	#92	940-114-0	Air Hose Nipple (NPT 1/4×3/8)	1
#33	895-064-1	Stopper	1	#74	981-002-0	Ball (1/8)	2				
#34	472-257-8	Regulator Screw	1	#74-1	981-003-0	Ball (5/32)	1				
#35	259-670-0	Band	1	#75	981-004-0	Ball (3/16)	10				
#36	259-466-0	Internal Gear	1	#76	982-015-0	Ball Bearing (608)	1				
#40	268-441-6	Angle Casing	1	#78	982-033-0	Ball Bearing (696)	1				
#41	259-081-0	Locking Nut	1	#79	982-100-0	Ball Bearing (6000)	1				
#42	268-420-6	Driving Gear	1	#80	982-902-0	Ball Bearing (6901)	2				
#43	259-426-0	Driving Gear Spindle	1								

When ordering spare parts, please specify tool type, code number and part name.

Printed Japan



URYU SEISAKU, LTD. Osaka Japan

For further information, please contact at any time your nearest URYU distributor.

OKA-460-03-12-05-2004