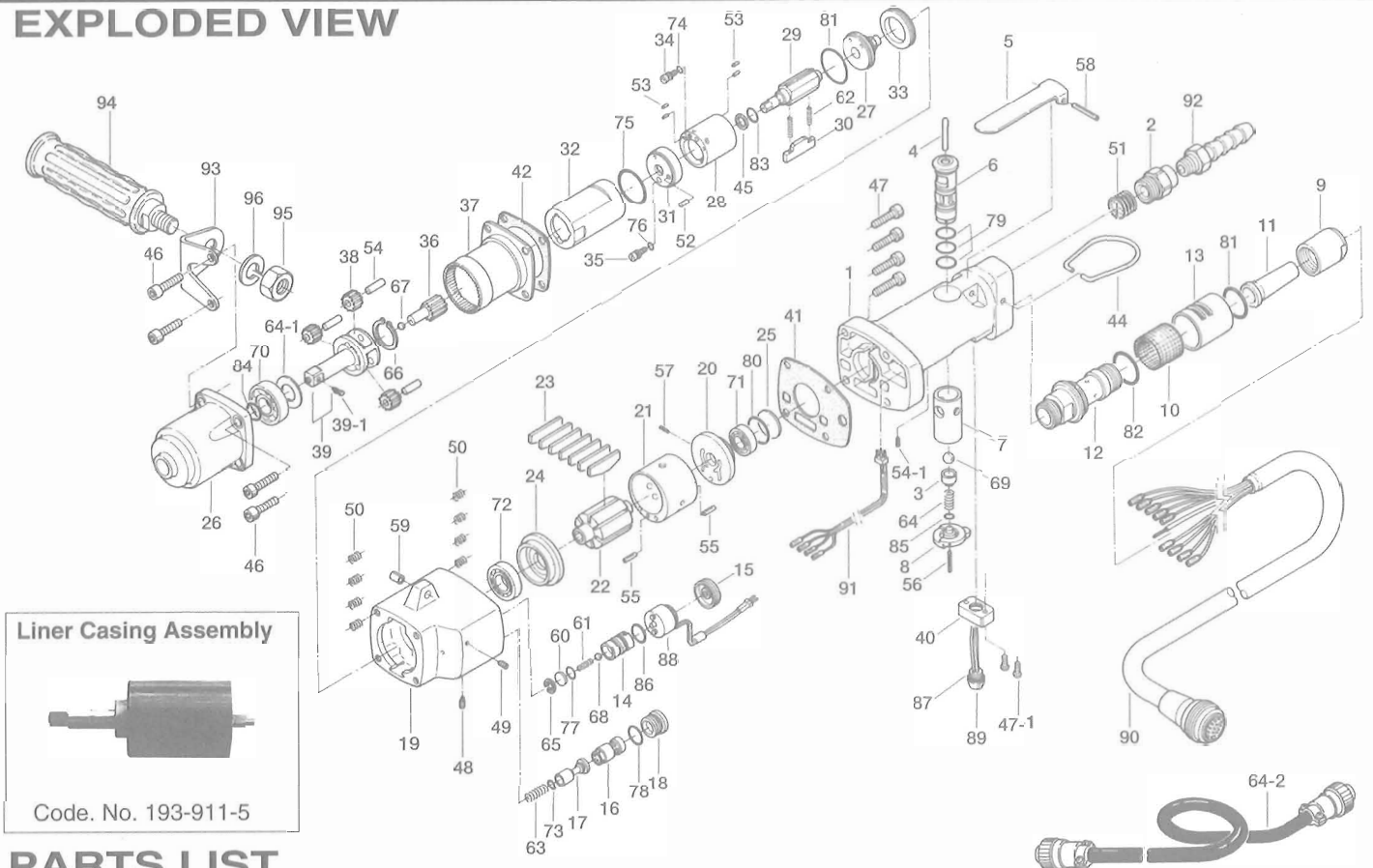


U-60SEC EC-WRENCH

EXPLODED VIEW



PARTS LIST

Index No.	Code No.	Parts Name	Quantity	Index No.	Code No.	Parts Name	Quantity	Index No.	Code No.	Parts Name	Quantity
# 1	192-011-5	Handle	1	# 37	193-465-5	Internal Gear	1	# 66	979-113-0	Outer Snap Ring (16)	1
# 2	185-091-7	Air Inlet Bushing	1	# 38	193-470-5	Planet Gear	3	# 67	981-003-0	Ball (5/32)	1
# 3	185-100-1	Valve	1	# 39	891-340-1	Socket Anvil Assembly (P)	1	# 68	981-024-0	Polyuretane Ball (5)	1
# 4	192-104-5	Valve Rod	1	# 39-1	891-300-1	Socket Pin Assembly	1	# 69	981-208-0	Ball (5/16) Black	1
# 5	500-107-1	Valve Lever	1	# 40	192-718-5	LED Lump Bracket	1	# 70	982-201-0	Ball Bearing (6201)	1
# 6	192-210-5	Reverse Valve	1	# 41	192-854-5	Casing Packing	1	# 71	982-402-0	Ball Bearing (EE-3)	1
# 7	180-211-7	Reverse Valve Bushing	1	# 42	193-867-5	Front Casing Packing	1	# 72	982-403-0	Ball Bearing (EE-4)	1
# 8	418-212-1	Reverse Lever	1	# 44	010-790-1	Suspension Ring	1	# 73	990-003-0	O-Ring (P5)	1
# 9	182-018-8	Cap	1	# 45	944-007-0	Back-up Ring (7.85×11.1×1)	1	# 74	990-320-0	O-Ring (ARP 568-003)	1
# 10	193-042-5	Silencer	1	# 46	945-118-0	Allen Head Bolt (M5×18)	4	# 75	990-331-0	O-Ring (JW 1530-21)	1
# 11	182-562-8	Stopper	1	# 47	945-120-0	Allen Head Bolt (M5×20)	4	# 76	990-900-0	O-Ring (SNS-2)	1
# 12	193-780-5	Exhaust Bushing	1	# 47-1	948-001-0	Round head Screw (M2.6×8)	2	# 77	990-906-0	O-Ring (SNS-8)	1
# 13	193-782-6	Exhaust Cover	1	# 48	952-006-0	Allen head Dog Point Screw (M3×6)	1	# 78	990-908-0	O-Ring (SNS-10)	1
# 14	192-147-5	Stop Valve Bushing	1	# 49	954-005-0	Allen head Cone Point Screw (M3×5)	1	# 79	990-909-0	O-Ring (SNS-11.2)	3
# 15	192-149-5	Stop Valve Plug	1	# 50	965-011-0	Heli-Sert (M5×1.5D)	8	# 80	990-918-0	O-Ring (SNS-20)	1
# 16	193-253-5	Shut-Off Valve Bushing	1	# 51	965-073-0	Heli-Sert (UNF5/8 N6)	1	# 81	990-919-0	O-Ring (SNS-22)	2
# 17	177-254-0	Shut-Off Valve	1	# 52	969-449-0	Pin (G)(3×6)	1	# 82	990-921-0	O-Ring (SNS-22.4)	1
# 18	193-927-5	Shut-Off Valve Cover	1	# 53	970-091-0	Pin (H)(2×4.5)	4	# 83	990-951-0	O-Ring (P8) (NOK)	1
# 19	192-025-5	Casing	1	# 54	972-166-0	Roller Pin (5×16)	3	# 84	990-012-0	O-Ring (P12.5)	1
# 20	193-285-5	Rear Plate	1	# 54-1	973-005-0	Roll Pin (2×5)	1	# 85	990-322-0	O-Ring (ARP 568-107)	1
# 21	193-286-5	Cylinder	1	# 55	973-110-0	Roll Pin (3×10)	2	# 86	990-909-0	O-Ring (SNS-11.2)	1
# 22	193-287-5	Rotor	1	# 56	973-022-0	Roll Pin (2×22)	1	# 87	990-907-0	O-Ring (SNS-9)	1
# 23	193-288-5	Blade (PC)	7	# 57	973-066-0	Roll Pin (2.5×6)	1	# 88	909-759-0	Solenoid Valve Assembly	1
# 24	193-289-5	Front Plate	1	# 58	973-124-0	Roll Pin (3×24)	1	# 89	909-725-0	LED Lamp	1
# 25	193-291-6	Rear Plate Spacer	1	# 59	973-340-0	Roll Pin (6×10)	1	# 90	909-723-0	Joint Cable Assembly	1
# 26	193-439-5	Front Casing	1	# 60	975-594-0	Round Plate	1	# 91	909-757-0	Ribbon Wire Assembly	1
# 27	193-901-5	Liner Rear Plate	1	# 61	976-240-0	Spring (4.3×14×0.4)	1				
# 28	191-902-6	Liner	1	# 62	976-790-0	Spring (2.8×15×0.4)WPC	2				
# 29	191-319-6	Anvil	1	# 63	976-228-0	Spring (4.6×14×0.5)	1				
# 30	198-440-1	Driving Blade	1	# 64	977-103-0	Cone Spring (6×9.5×16)	1				
# 31	191-904-6	Liner Front Plate	1	# 64-1	975-162-0	Spacer (24×12.5×0.4)	1				
# 32	191-905-6	Liner Casing	1	# 64-2	909-752-0	Sensor Cable Assembly	1				
# 33	193-906-5	Liner Caiong Setter	1	# 65	979-003-0	Inner Snap Ring (10)	1				
# 34	191-970-6	Relief Valve	1								
# 35	194-742-0	Oil Plug	1								
# 36	193-446-5	Anvil Gear	1								

Accessories

# 92	940-114-0	Air Hose Nipple (NPT1/4×3/8)	1
# 93	192-723-5	Dead Handle Plate	1
# 94	556-720-2	Dead Handle	1
# 95	960-550-0	Hexagon Nut (M12 Special)	1
# 96	962-013-0	Spring Washer (2-12S)	1

When ordering spare parts, please specify tool type, code number and parts name.

Printed in Japan



URYU SEISAKU, LTD. Osaka, Japan

OKA-402-00-05-30-2002