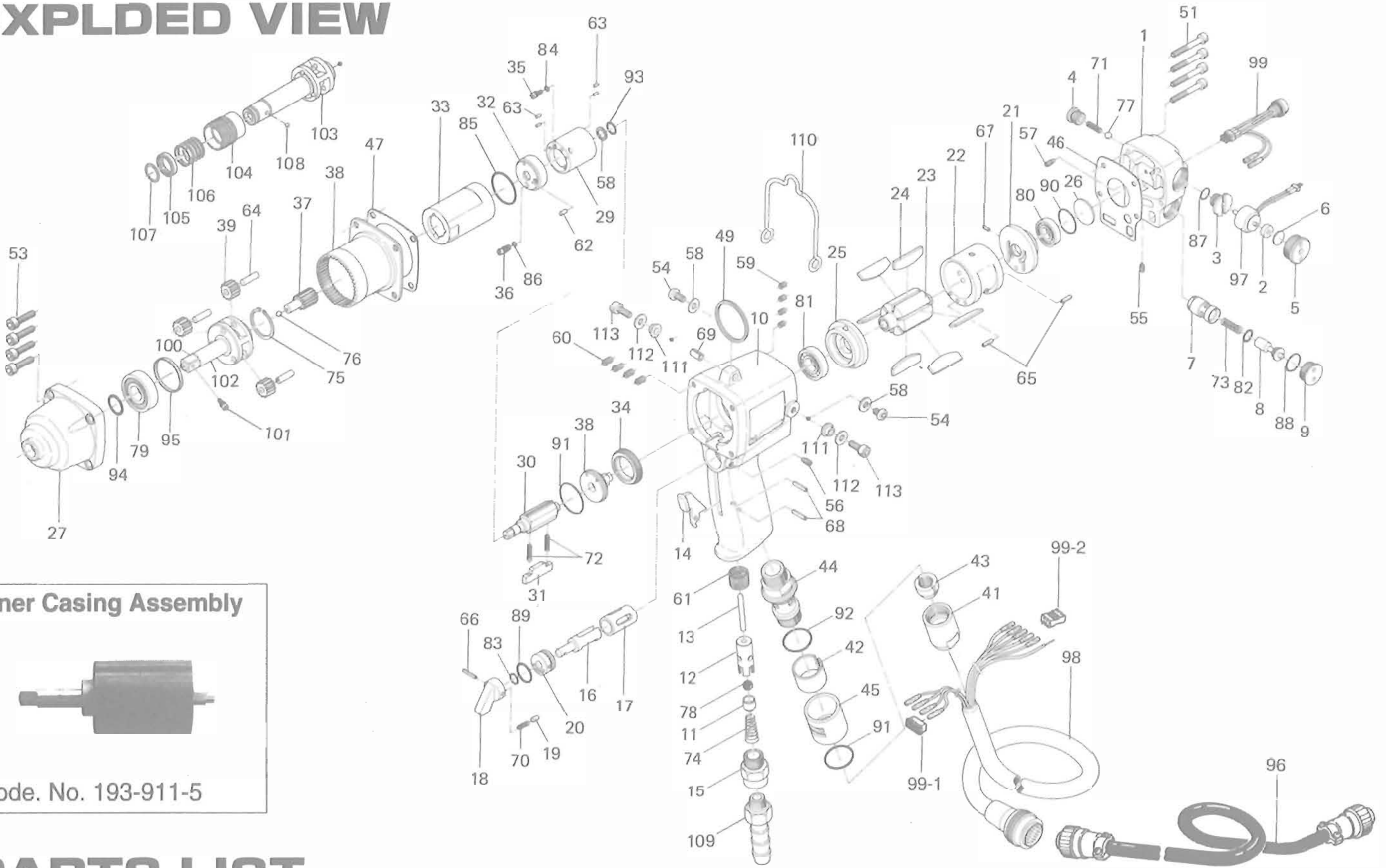


U-60EC & U-60DEC EC-WRENCHES

EXPLODED VIEW



PARTS LIST

Index. No.	Code No.	Part Name	Quantity	Index. No.	Code No.	Part Name	Quantity	Index. No.	Code No.	Part Name	Quantity
# 1	193-012-5	Casing Cover	1	# 43	182-562-8	Stopper	2	# 83	990-203-0	O-Ring (JW1516-3)	1
# 2	193-120-6	Valve Packing Spacer	1	# 44	193-780-5	Silencer	1	# 84	990-320-0	O-Ring (ARP-568-003)	1
# 3	193-147-6	Stop Valve Bushing	1	# 45	193-782-6	Silencer Cover	1	# 85	990-331-0	O-Ring (JW1530-21)	1
# 4	193-148-6	Stop Valve Cover	1	# 46	193-854-5	Casing Packing	1	# 86	990-900-0	O-Ring (SNS2)	1
# 5	193-149-6	Stop Valve Plug	1	# 47	193-867-5	Front Casing Packing	1	# 87	990-905-0	O-Ring (SNS7)	1
# 6	193-872-6	Valve Packing	1	# 49	004-790-2	Suspension Ring	1	# 88	990-908-0	O-Ring (SNS10)	1
# 7	193-253-5	Shut Off Valve Bushing	1	# 50	944-007-0	Back-up Ring (7.85x11.1x1)	1	# 89	990-910-0	O-Ring (SNS12.5)	1
# 8	177-254-0	Shut Off Valve	1	# 51	945-030-0	Allen Head Bolt (M4x30)	2	# 90	990-918-0	O-Ring (SNS20)	1
# 9	193-927-5	Shut Off Valve Cover	1	# 52	945-035-0	Allen Head Bolt (m4x35)	2	# 91	990-919-0	O-Ring (SNS22)	2
# 10	193-025-5	Casing	1	# 53	945-118-0	Allen Head Bolt (m5x18)	4	# 92	990-921-0	O-Ring (SNS22.4)	1
# 11	185-100-1	Valve	1	# 54	945-949-0	Hexagon Round Head Bolt (M5x6)	2	# 93	990-951-0	O-Ring P8 (NOK)	1
# 12	063-102-3	Valve Bushing	1	# 55	952-006-0	Allen Head Dog Point Screw (M3x6)	1	# 94	990-012-0	O-Ring P12.5	1
# 13	193-104-6	Valve Rod	1	# 56	952-108-0	Allen Head Dog Point Screw (M4x8)	1	# 95	975-162-0	Spacer (24x12.5x0.4)	1
# 14	187-107-1	Valve Lever	1	# 57	954-005-0	Allen Head Cone Point Screw (M3x5)	1	# 96	909-752-0	Sensor Cable Assembly	1
# 15	185-091-7	Air Inlet Bushing	1	# 58	961-012-0	Flat Washer 5	2	# 97	909-753-0	Solenoid Valve Assembly	1
# 16	193-210-5	Reverse Valve	1	# 59	965-006-0	Heli-Sert (M4x1.5D)	1	# 98	909-751-0	Joint Cable Assembly	1
# 17	193-211-5	Reverse Valve Bushing	1	# 60	965-011-0	Heli-Sert (M5x1.5D)	1	# 99	909-754-0	LED Lump Assembly	1
# 18	194-212-0	Reverse Lever	1	# 61	965-073-0	Heli-Sert (UNF5/8NG)	4	# 99-1	909-731-0	Connector (171822-4)	1
# 19	054-220-1	Reverse Lever Notch	1	# 62	969-449-0	Pin (G) 3x6	1	# 99-2	909-733-0	Connector (RF-06)	1
# 20	194-222-0	Reverse Lever Setter	1	# 63	970-091-0	Pin (H) 2x4.5	4	Parts for U-60EC			
# 21	193-285-5	Rear Plate	1	# 64	972-166-0	Roller Pin (5x16)	3	# 100	891-340-1	Socket Spindle Assembly (OP-P)	1
# 22	193-286-5	Cylinder	1	# 65	973-110-0	Roll Pin (3x10)	2	# 101	891-300-1	Socket Retainer Pin Assembly (P)	1
# 23	193-287-5	Roter	1	# 66	973-047-0	Roll Pin (1.5x14)	1	# 102	193-454-5	Socket Spindle (O)	1
# 24	193-288-8	Blade (PC)	7	# 67	973-066-0	Roll Pin (2.5x6)	1	Parts for U-60DEC			
# 25	193-289-5	Front Plate	1	# 68	973-114-0	Roll Pin (3x14)	2	# 103	192-350-7	Driver Anvil	1
# 26	193-291-6	Rear Plate Spacer	1	# 69	973-340-0	Roll Pin (6x10)	1	# 104	011-351-1	Bit Sleeve	1
# 27	193-439-5	Front Casing	1	# 70	976-025-0	Spring (3x8.5x0.5)	1	# 105	011-352-1	Bit Spacer	1
# 28	193-901-5	Liner Rear Plate	1	# 71	976-240-0	Spring (4.3x14x0.4)	1	# 106	976-327-0	Spring (13.5x11x0.9)	1
# 29	191-902-6	Liner	1	# 72	976-790-0	Spring (2.8x15x0.4) WPC	2	# 107	978-117-0	Snap Ring (11.7x1.0)	1
# 30	191-319-6	Anvil	1	# 73	976-228-0	Spring (4.7x14x0.5)	1	# 108	981-002-0	Ball (1/8)	1
# 31	198-440-1	Driving Blade	1	# 74	977-175-0	Cone Spring(7.5x10.3x22)	1	ACCESSORIES			
# 32	191-904-6	Liner Rear Plate	1	# 75	979-113-0	Outer Snap Ring (16)	1	# 109	940-114-0	Air Hose Nipple (NPT1/4x3/8)	1
# 33	191-905-6	Liner Casing	1	# 76	981-003-0	Ball (5/32)	1	# 110	193-790-6	Suspension Ball	1
# 34	193-906-5	Liner Casing Cover	1	# 77	981-024-0	Polyurethane Ball (5)	1	# 111	193-791-6	Suspension Receiver	2
# 35	191-970-6	Release Valve	1	# 78	981-208-0	Ball (5/16) Black	1	# 112	193-792-6	Suspension Plate	2
# 36	194-742-0	Oil Plug	1	# 79	982-201-0	Ball Bearing (6201)	1	# 113	945-112-0	Allen Head Bolt (M5x12)	2
# 37	193-446-5	Anvil Gear	1	# 80	982-402-0	Ball Bearing (EE3)	1				
# 38	193-465-5	Internal Gear	1	# 81	982-403-0	Ball Bearing (EE4)	1				
# 39	193-470-5	Planet Gear	3	# 82	990-003-0	O-Ring (P5)	1				
# 41	182-018-8	Cap	1								
# 42	193-042-5	Wire Net	1								

When ordering spare parts, please specify tool type, code number and part name.

Printed in Japan



URYU SEISAKU, LTD. Osaka, Japan