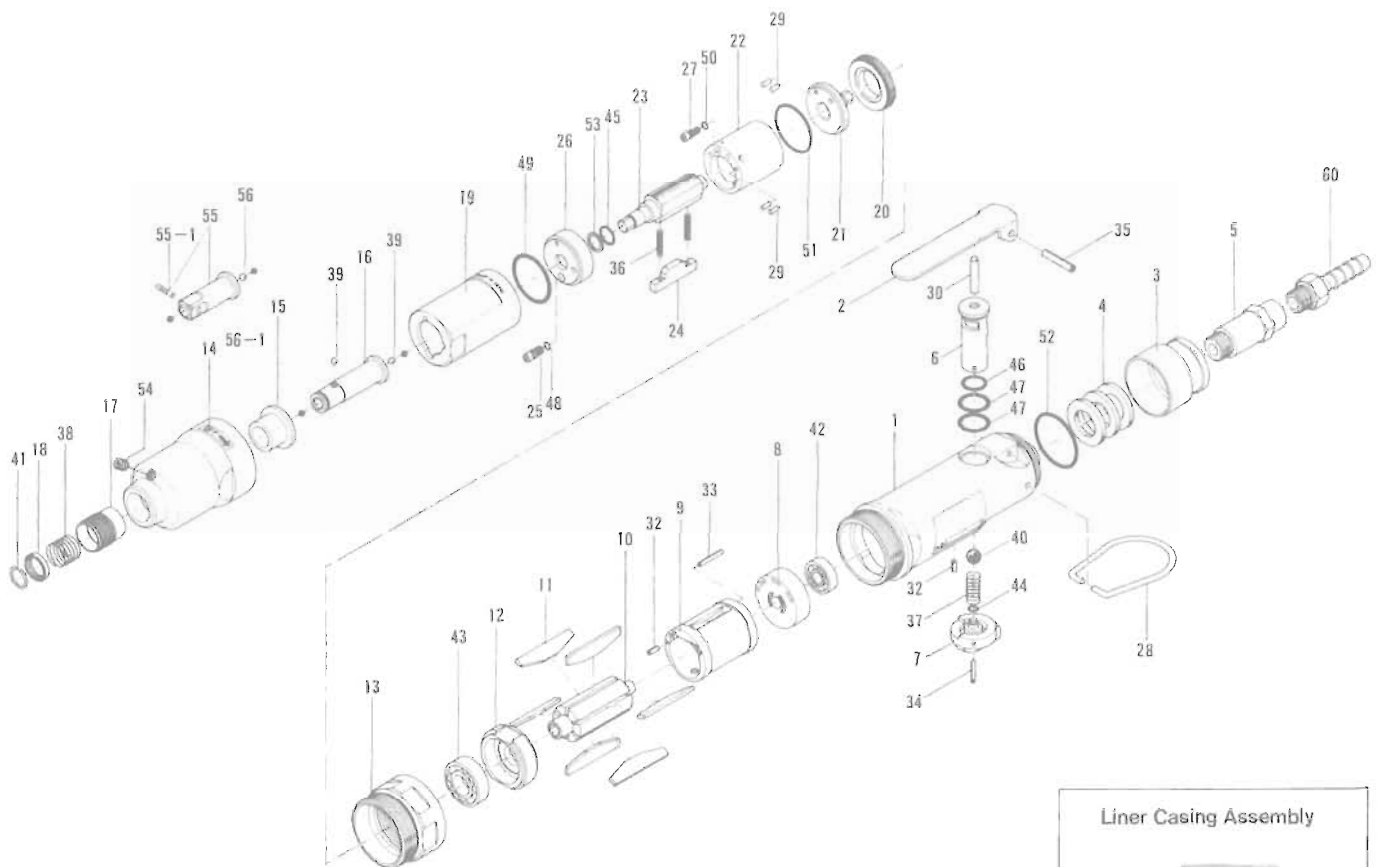


U-410S(D) OIL-PULSE WRENCHES

EXPLODED VIEW



Liner Casing Assembly



Code No. 191-911-6

PARTS LIST

Index No.	Parts No.	Parts Name	Quantity	Index No.	Parts No.	Parts Name	Quantity	Index No.	Parts No.	Parts Name	Quantity
# 1	191-025-8	Handle	1	#25	191-970-6	Relief Valve	1	#49	990-331-0	O-Ring (JW1530-21)	1
# 2	196-107-7	Valve Lever	1	#26	191-904-6	Front Liner Plate	1	#50	990-900-0	O-Ring (SNS2)	1
# 3	197-782-6	Exhaust Cover	1	#27	194-742-0	Oil Plug	1	#51	990-919-0	O-Ring (SNS22)	1
# 4	472-835-7	Filter	3	#28	010-790-1	Suspension Ring	1	#52	990-922-0	O-Ring (SNS28)	1
# 5	191-091-5	Air Inlet Bushing	1	#29	970-091-0	Pin(H) (2x4.5)	4	#53	944-007-0	Supporter Ring (7.85x11.1x1)	1
# 6	418-210-1	Reverse Valve	1	#30	970-322-0	Pin(H) (4x22)	1	#54	966-099-0	Allen Head Plug (NPT1/16)	1
# 7	418-212-1	Reverse Lever	1	#31	969-449-0	Pin(G) (3x6)	1	Parts for U-410S			
# 8	197-285-6	Rear Plate	1	#32	973-006-0	Roll Pin (2x6)	2	#55	891-343-1	Socket Spindle Assy.	1
# 9	476-286-3	Cylinder	1	#33	973-016-0	Roll Pin (2x16)	1	#55-1	891-300-1	Socket Retainer Pin Assy	1
#10	191-287-6	Rotor	1	#34	973-022-0	Roll Pin (2x22)	1	#56	981-002-0	Ball (1/8)	1
#11	197-288-6	Blade	6	#35	973-124-0	Roll Pin (3x24)	1	#56-1	197-454-6	Socket Spindle	1
#12	197-289-6	Front Plate	1	#36	976-790-0	Spring (2.8X15)WPC	2	ACCESSORIES			
#13	197-035-6	Handle Connector	1	#37	976-151-0	Spring (7x16)	1	#57	916-810-0	Double Bit No. 2	1
#14	191-439-7	Front Casing	1	#38	976-327-0	Spring (13.5x11)	1	#58	900-004-0	Hexagon Socket 3/8SQ (7x16)	1
#15	190-328-6	Anvil Bushing	1	#39	981-002-0	Ball (1/8)	2	#59	939-091-0	Allen Wrench (1.5MM) (80x20)	1
#16	197-350-0	Driver Anvil	1	#40	981-207-0	Ball (9/32)	1	#60	939-105-0	Allen Wrench (4MM)	1
#17	113-511-1	Bit Sleeve (1/8)	1	#41	978-117-0	Snap Ring (11.7x1.0)	1				
#18	113-521-1	Bit Spacer	1	#42	982-100-0	Ball Bearing (6000)	1				
#19	191-905-6	Liner Casing	1	#43	982-401-0	Ball Bearing (EE2)	1				
#20	197-906-6	Liner Casing Setter	1	#44	990-003-0	O-Ring (P5)	1				
#21	197-901-7	Rear Liner Plate	1	#45	990-951-0	O-Ring (P8) (NOK)	1				
#22	191-902-6	Liner	1	#46	990-007-0	O-Ring (P9)	1				
#23	191-319-6	Anvil	1	#47	990-014-0	O-Ring (P14)	2				
#24	198-440-1	Driving Blade	1	#48	990-320-0	O-Ring (ARP-568-003)	1				

When ordering spare parts, please specify tool type, code number and part name.

Printed in Japan



URYU SEISAKU, LTD. Osaka, Japan

OKA-268-02-10-15-2005