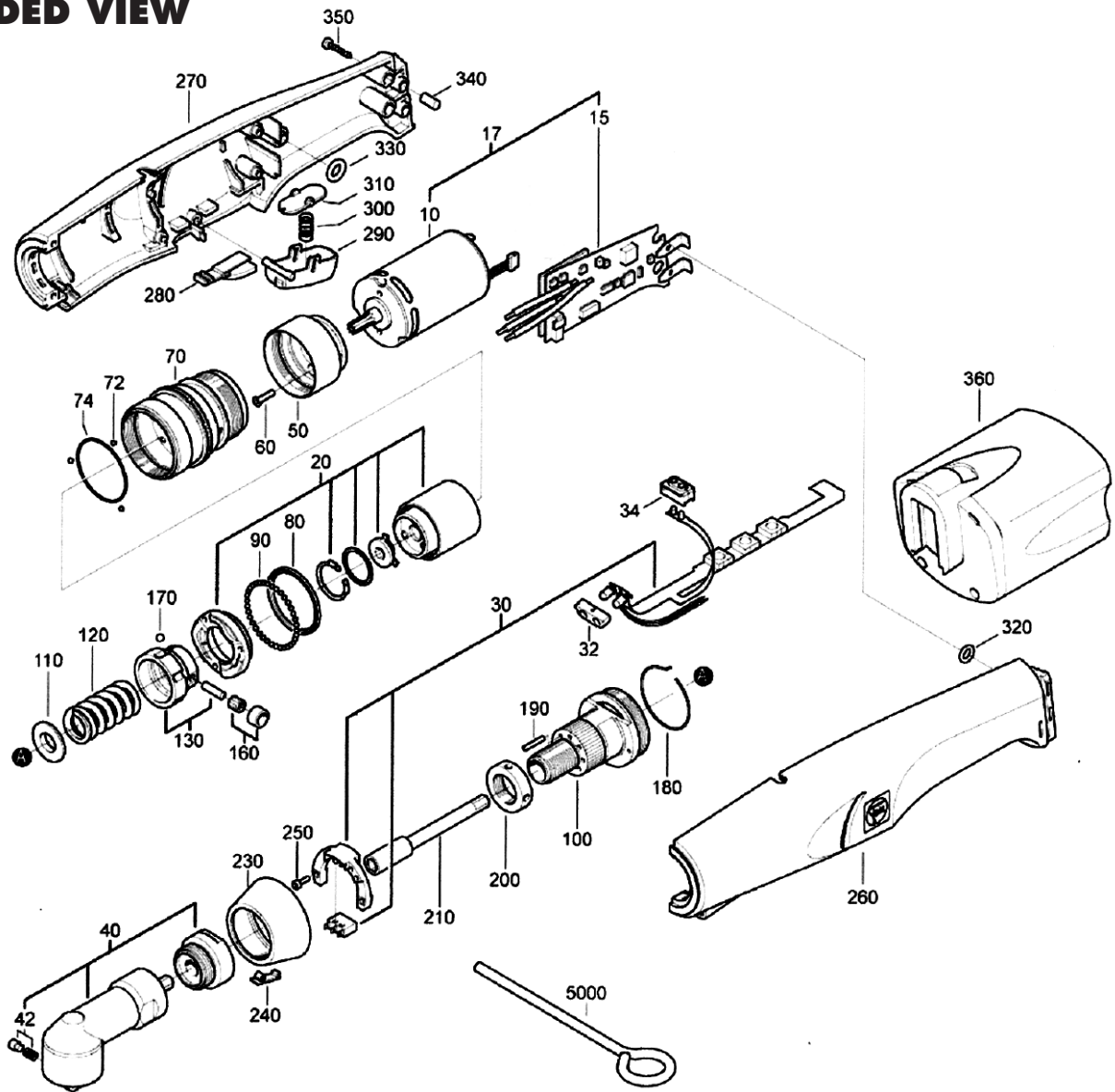


SPC-A-25

EXPLODED VIEW



PARTS LIST — FOR REFERENCE ONLY

Index Number	Part Number	Description	Qty.	Index Number	Part Number	Description	Qty.	Index Number	Part Number	Description	Qty.
10	54199011024	EC-Motor	1	80	31710033008	Bearing Ring	1	240	32424024000	Cover	1
11	32432077002	Intermediate Plate	1	90	41708013003	Ball	44	250	43035142975	Fillister Head Screw	2
15	30762350997	Electronic Assembly	1	100	30109156004	Sleeve	1	260	31912061018	Mot. housinf lower p.	1
17	54199010025	Motor Assembly	1	110	32408392004	Disc	1	270	31912060019	Motor housing upper	1
20	30109157023	Planet Gear Assembly	1	120	30901355008	Pressure Screw	1	280	32805184008	Switch lever	1
30	30762351996	Electronic	1	130	30103047017	Set Collar	1	290	32805183000	Lever	1
32	30240250006	LED-Frame	1	140	41707000738	Groove Ball Bearing	1	300	30901357005	Pressure Spring	1
34	30240251005	LED-Housing	1	150	32408401006	Disc	1	310	32805182006	Switch Lever	1
40	31206127019	Gear Housing Assembly	1	160	30501343010	Wheel Set	1	320	40612123000	Packing Ring	2
42	30217340015	Bolt	1	170	32460690009	Flange	1	330	40612074004	Packing Ring	1
50	32436066003	Motor Flange	1	180	42615144000	Retainer Ring	1	340	31415061003	Holding Part	2
60	43069006031	Counter Sunk Screw	2	190	41709043001	Needle Roller	8	350	43073001000	Screw	8
70	31207253005	Housing	1	200	32009072000	Adjusting Nut	1	360	92604066026	Battery Assembly NICD 12V	1
72	41708013003	Ball	3	210	33406292006	Driving Shaft	1	5000	62913004000	Locking Pin	1
74	40612088002	Packing Ring	1	230	30219052004	Covering Cap	1				



10000 SE Pine Street
Portland, OR 97216
503-254-6600
FAX 503-255-2615

When ordering spare parts, please specify
tool type, part number and description.

AIMCO also offers a complete line of standard & special
adapters, bits, sockets and extensions.

REVISED 3/07