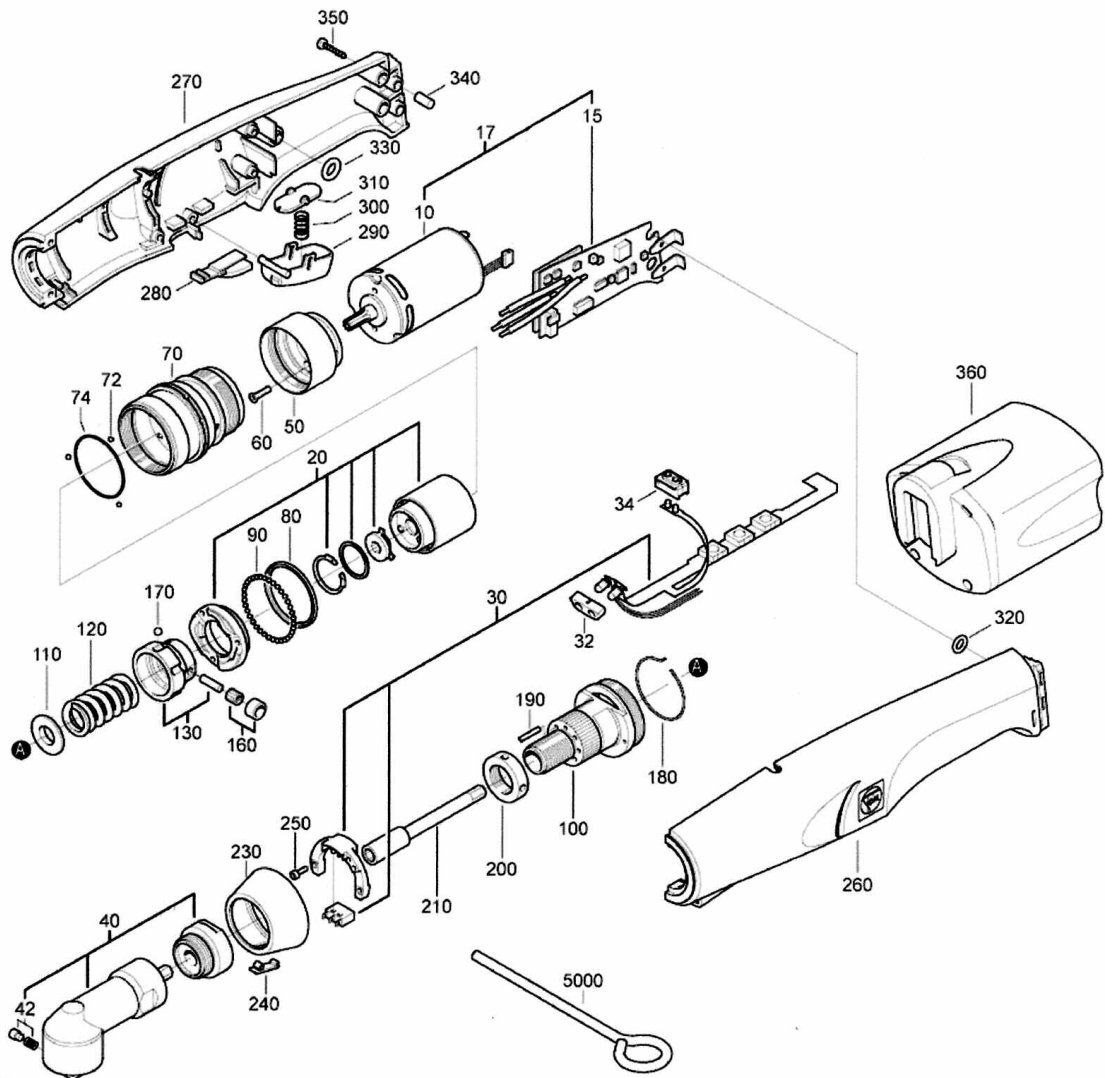


# SPC-A-16

## EXPLODED VIEW



## PARTS LIST — FOR REFERENCE ONLY

Index Number	Part Number	Description	Qty.	Index Number	Part Number	Description	Qty.	Index Number	Part Number	Description	Qty.
10	54199011024	EC-Motor	1	120	30901355008	Pressure Spring	1	330	40612074004	Packing Ring	1
15	30762350997	PC Board	1	130	30103047017	Set Collar	1	340	31415061003	Holding Part	2
17	54199010025	Motor Assembly	1	160	30501343010	Wheel set	1	350	43073001000	Screw	8
20	30109157017	Planet Gear Assembly	1	170	41708017002	Ball	6	360	92604066026	Battery assembly NICD 12V	1
30	30762351996	Electronic Assembly	1	180	42615144000	Retainer Ring	1	5000	62913004000	Locking Pin	1
32	30240250006	LED-frame	1	190	41709043001	Needle Roller	8				
34	30240251005	LED-housing	1	200	32009072000	Adjusting Nut	1				
40	31206126015	Gear Housing Assembly	1	210	33406292006	Driving Shaft	1				
42	30217340015	Bolt	1	230	30219052004	Covering Cap	1				
50	32436066003	Motor Flange	1	240	32424024000	Cover	1				
60	43069006031	Countersunk Screw	2	250	43035142975	Fillister Head Screw	2				
70	31207253005	Housing	1	260	31912061018	Motor Housing lower	1				
72	41708013003	Ball	3	270	31912060019	Motor Housing upper	1				
74	40612088002	Packing Ring	1	280	32805184008	Switch Lever	1				
80	31710033008	Bearing Ring	1	290	32805183000	Lever	1				
90	41708013003	Ball	44	300	30901357005	Pressure Spring	1				
100	30109156004	Sleeve	1	310	32805182006	Switch Lever	1				
110	32408392004	Disc	1	320	40612123000	Packing Ring	2				



10000 SE PINE ST.  
 PORTLAND, OR 97216  
 503-254-6600  
 FAX 503-255-2615

When ordering spare parts, please specify  
 tool type, part number and description.

AIMCO also offers a complete line of standard & special  
 adapters, bits, sockets and extensions.

REVISED 11/06