

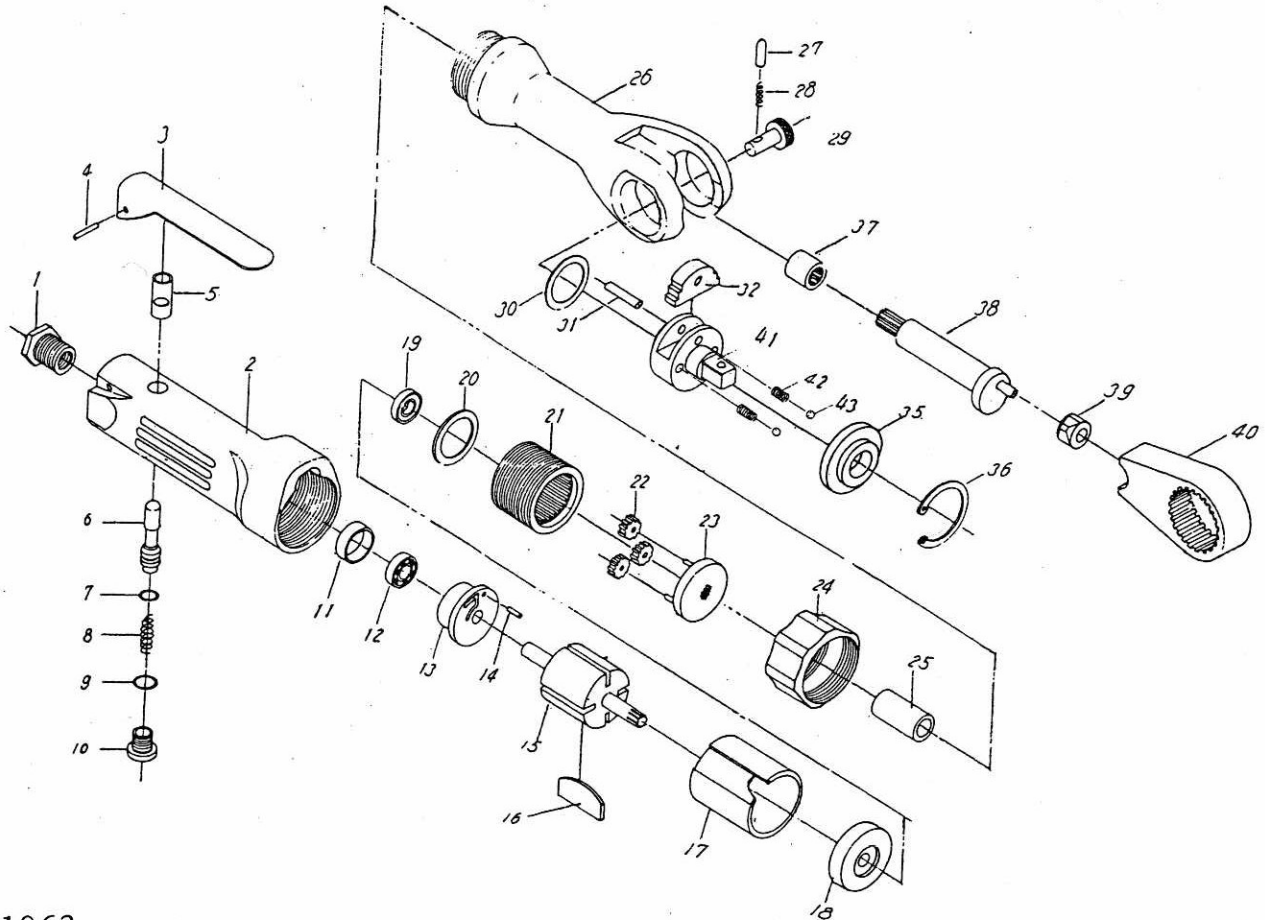
# 3/8" AIR RATCHET WRENCH

AR375B

IMPORTANT! READ CAREFULLY BEFORE OPERATING THIS TOOL. FAILURE TO OPERATE ANY POWER TOOL PROPERLY CAN RESULT IN PERSONAL INJURY AND/OR PROPERTY DAMAGE.

## SPECIFICATIONS:

Free Speed . . . . . 150 RPM  
 Ult. Torque . . . . . .45 (ft/lbs)  
 Air Inlet . . . . . .1/4" NPT  
 Recommended Hose Size . . . . . 3/8" ID.  
 Recommended Air Pressure . . . . . .90 PSI  
 Air Consumption . . . . . .4 CFM  
 Net Weight . . . . . .2½ lbs  
 Length . . . . . .9"



1063

| Ref. No. | Parts. No. | Description         | Q'ty | Ref. No. | Parts. No. | Description        | Q'ty |
|----------|------------|---------------------|------|----------|------------|--------------------|------|
| 1        | 106301     | Bushing—Air Inlet   | 1    | 22       | 106322     | Gear               | 3    |
| 2        | 106302     | Handle—Throttle     | 1    | 23       | 106323     | Gear Plate         | 1    |
| 3        | 106303     | Level—Throttle      | 1    | 24       | 106324     | Clamp—Housing      | 1    |
| 4        | 106304     | Pin                 | 1    | 25       | 106325     | Bushing            | 1    |
| 5        | 106305     | Bushing—Throttle    | 1    | 26       | 106326     | Housing—Ratchet    | 1    |
| 6        | 106306     | Valve—Throttle      | 1    | 27       | 106327     | Pin—Lock           | 1    |
| 7        | 106307     | "O" Ring            | 1    | 28       | 106328     | Spring—Ratchet     | 1    |
| 8        | 106308     | Spring—Throttle     | 1    | 29       | 106329     | Button—Reverse     | 1    |
| 9        | 306309     | "O" Ring            | 1    | 30       | 106330     | Washer             | 1    |
| 10       | 106310     | Plug—Throttle Valve | 1    | 31       | 106331     | Pin                | 1    |
| 11       | 106311     | Bearing Cap         | 1    | 32       | 106332     | Pawl—Ratchet       | 1    |
| 12       | 106312     | Bearing             | 1    | 35       | 106335     | Washer             | 1    |
| 13       | 106313     | Plate—Rear End      | 1    | 36       | 106336     | Retaining Ring     | 1    |
| 14       | 106314     | Pin                 | 1    | 37       | 106337     | Bearing/Bushing    | 1    |
| 15       | 106315     | Rotor               | 1    | 38       | 106338     | Shaft—Crank        | 1    |
| 16       | 106316     | Rotor Blade         | 4    | 39       | 106339     | Bushing—Drive      | 1    |
| 17       | 106317     | Cylinder            | 1    | 40       | 106340     | Yoke—Ratchet       | 1    |
| 18       | 106318     | Plate—Front End     | 1    | 41       | 106341     | 3/8" Shank—Ratchet | 1    |
| 19       | 106319     | Bearing             | 1    | 42       | 106342     | Spring             | 2    |
| 20       | 106320     | Washer              | 1    | 43       | 106343     | Steel Ball         | 2    |
| 21       | 106321     | Housing—Spindle     | 1    |          |            |                    |      |