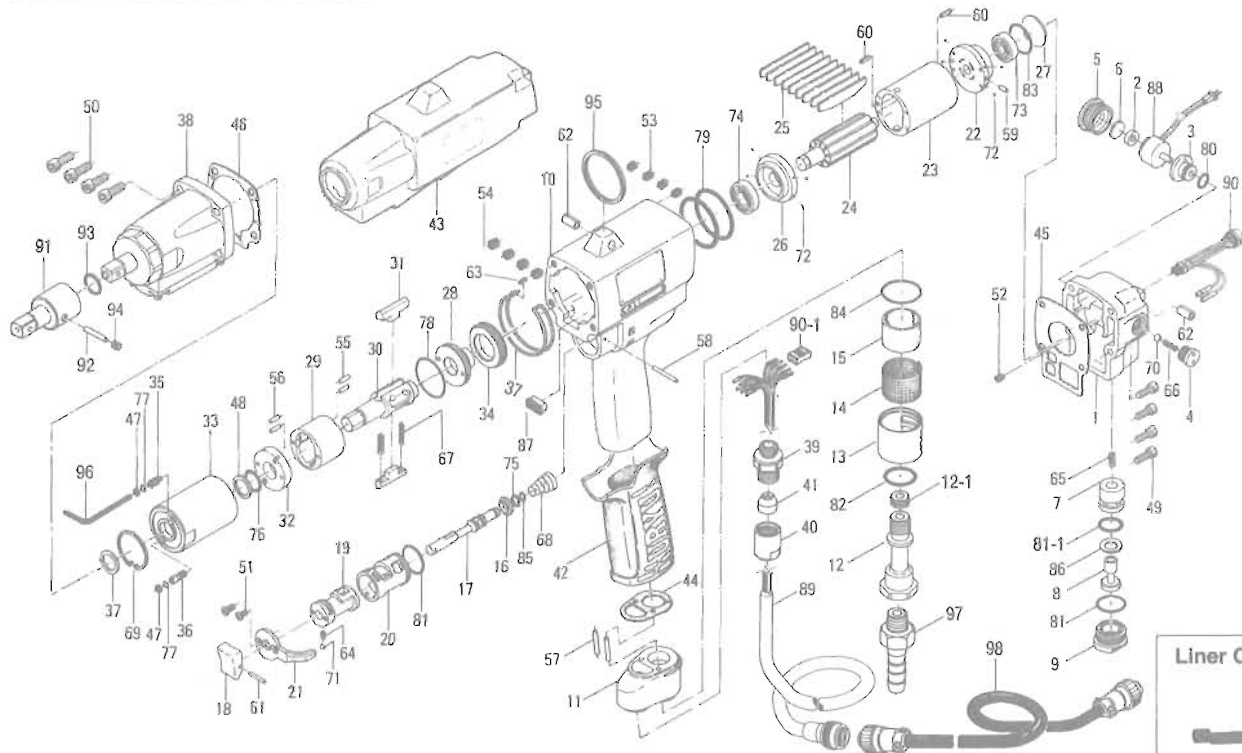


# α ALPHA 80MC OIL-PULSE WRENCH

## EXPLODED VIEW



Liner Casing Assembly



Code. No. 149-911-4

## PARTS LIST

Index No.	Code No.	Parts Name	Quantity	Index No.	Code No.	Parts Name	Quantity	Index No.	Code No.	Parts Name	Quantity
# 1	149-012-2	Head Cover	1	#36	178-742-0	Oil Plug	1	#71	981-002-0	Ball (1/8)	1
# 2	193-120-6	Valve Packing Specer	1	#37	149-754-2	Clip Guide	1	#72	981-045-0	Ball (1.5)	8
# 3	193-147-6	Stop Valve Bushing	1	#38	850-471-1	Sensor Casing Assembly	1	#73	982-401-0	Ball Bearing (EE-2)	1
# 4	193-148-6	Stop Valve Cover	1	#39	149-079-5	Connector	1	#74	982*402-0	Ball Bearing (EE-3)	1
# 5	193-149-6	Stop Valve Plug	1	#40	149-018-5	Cap	1	#75	990-002-0	O-Ring (P4)	1
# 6	193-872-6	Valve Packing	1	#41	149-562-6	Stopper	1	#76	990-152-0	O-Ring (P12) (NTN)	1
# 7	149-253-5	Shut-Off Valve Bushing	1	#42	173-842-0	Handle Cover	1	#77	990-320-0	O-Ring (ARP568-003)	2
# 8	149-254-5	Shut-Off Valve	1	#43	149-840-4	Handle Protector	1	#78	990-329-0	O-Ring (JW1530-19)	1
# 9	149-927-5	Shut-Off Valve Cover	1	#44	149-850-5	Casing Connector Packing	1	#79	990-337-0	O-Ring (JW1530-27)	2
#10	149-025-4	Casing	1	#45	149-853-2	Head Cover Packing	1	#80	990-905-0	O-Ring (SNS-7)	1
#11	149-035-5	Casing Connector	1	#46	149-867-2	Front Casing Packing	1	#81	990-914-0	O-Ring (SNS-16)	2
#12	148-091-9	Air Inlet Bushing	1	#47	944-002-0	Supporting Ring (2.6X4.5X1)	2	#81-1	990-910-0	O-Ring (SNS-12.5)	1
#12-1	148-093-7	Air Inlet Bushing Screw	1	#48	944-214-0	Supporting Ring (12X15.9X1)	1	#82	990-916-0	O-Ring (SNS-18)	1
#13	173-780-5	Exhaust Stack	1	#49	945-015-0	Allen Head Bolt (M4X15)	4	#83	990-918-0	O-Ring (SNS-20)	1
#14	173-042-0	Silencer	1	#50	945-117-0	Allen Head Bolt (M5X16)	4	#84	990-921-0	O-Ring (SNS-22.4)	1
#15	173-835-0	Filter	1	#51	948-423-0	Allen Flush Head Screw (M3X6)	2	#85	990-972-0	O-Ring (SNS-4) (NOK)	1
#16	173-100-0	Valve	1	#52	954-005-0	Allen Head Dog Point Screw (M3X5)	1	#86	996-418-0	Packing (15X9X1)	1
#17	173-104-0	Valve Rod	1	#53	965-006-0	Heli-Sert (M4X1.5D)	4	#87	909-918-0	Double-Row Socket (DF11-12DC-2C)	1
#18	149-107-2	Valve Lever	1	#54	965-011-0	Heli-Sert (M5X1.5D)	4	#88	909-915-0	Solenoid Valve Assembly	1
#19	151-210-4	Reverse Valve	1	#55	970-130-0	Pin (H) (2.45X4.5)	2	#89	909-927-0	Joint Cable Assembly	1
#20	151-211-4	Reverse Valve Bushing	1	#56	970-135-0	Pin (H) (2.45X11)	2	#90	909-920-0	LED Lamp Assembly	1
#21	173-212-0	Reverse Lever	1	#57	970-208-0	Pin (H) (3X10)	2	#90-1	909-733-0	Connector (RF-06)	1
#22	149-285-2	Rear Plate	1	#58	971-125-0	Pin (2X25)	1	<b>ACCESSORIES</b>			
#23	149-286-4	Cylinder	1	#59	973-006-0	Roll Pin (2X6)	1	#91	904-090-0	Extension Bar (3/8X43)	1
#24	174-287-8	Rotor	1	#60	973-008-0	Roll Pin (2X8)	2	#92	971-214-0	Pin (3X14)	1
#25	150-288-9	Blade (PC)	9	#61	973-014-0	Roll Pin (2X14)	1	#93	990-011-0	O-Ring (P12)	1
#26	149-289-2	Front Plate	1	#62	973-340-0	Roll Pin (6X10)	2	#94	953-104-0	Allen Head Flat Point Screw (M4X4)	1
#27	193-291-6	Rear Plate Spacer	1	#63	973-007-0	Roll Pin (2X7)	1	#95	004-790-2	Suspension Ring	1
#28	196-901-4	Rear Liner Plate	1	#64	976-006-0	Spring (3X5) (0.4)	1	#96	939-091-0	Allen Wrench (1.5MM)	1
#29	190-902-6	Liner	1	#65	976-396-0	Spring (4.6X15) (0.55)	1	#97	940-114-0	Air lose Nipple	1
#30	149-319-0	Anvil	1	#66	976-240-0	Spring (4.3X14) (0.4)	1	#98	909-921-0	Sensor Cable Assy (3F5)	1
#31	190-440-6	Driving Blade	2	#67	976-791-0	Spring (3.3X21) (0.5)WPC	2				
#32	168-904-0	Front Liner Plate	1	#68	977-160-0	Cone Spring (7.4X14X20)	1				
#33	178-905-9	Liner Casing	1	#69	978-282-0	Snap Ring (28X1)	1				
#34	190-906-6	Liner Casing Setter	1	#70	981-024-0	Ball (5)	1				
#35	174-907-8	Relief Valve Spindle	1								

When ordering spare parts, please Specify tool type, code number and parts name.

Printed in Japan



**URYU SEISAKU, LTD.** Osaka, Japan