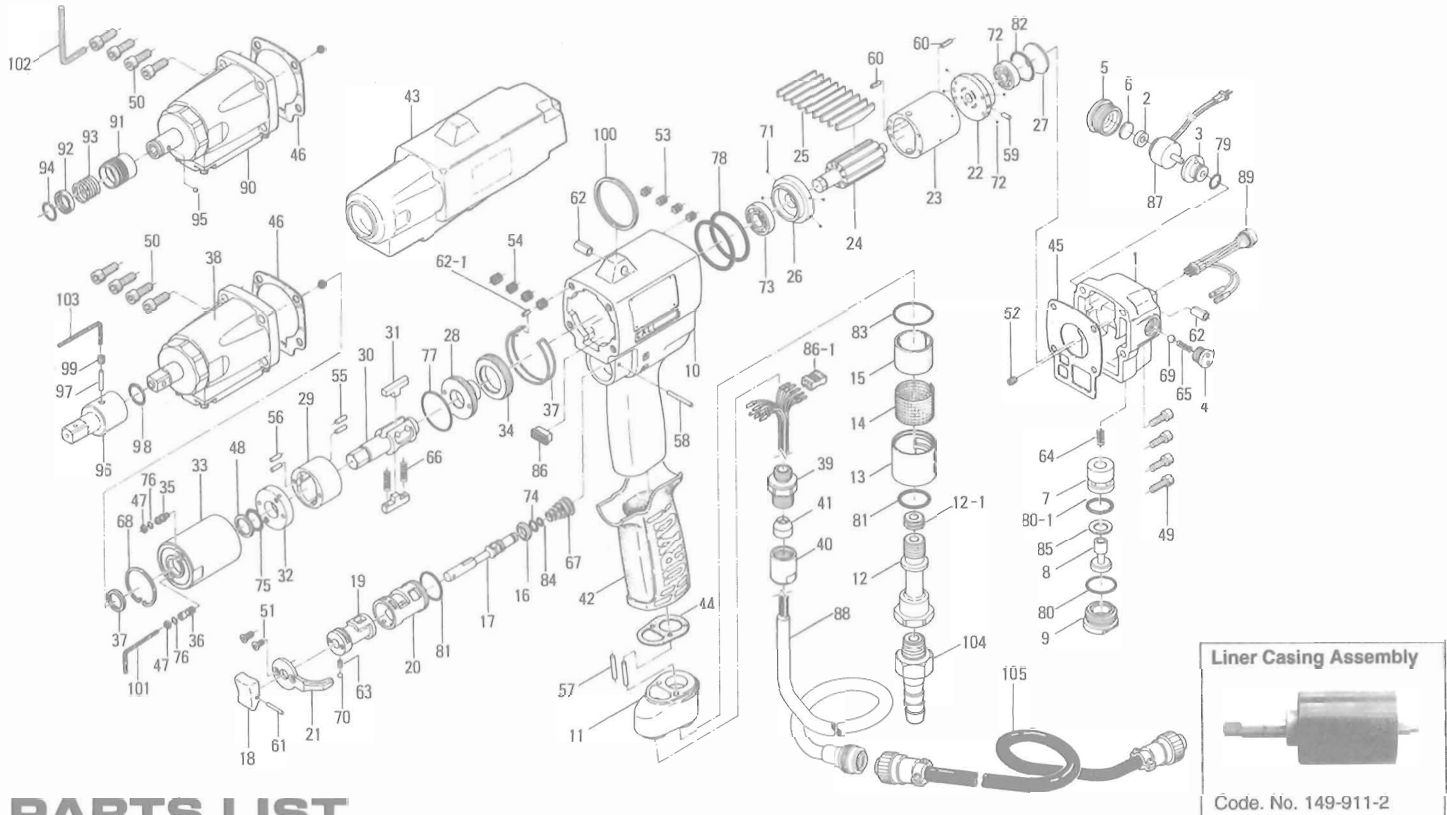


α ALPHA 60(D) MC OIL-PULSE WRENCH

EXPLODED VIEW



PARTS LIST

Index No.	Code No.	Part Name	Quantity	Index No.	Code No.	Part Name	Quantity	Index No.	Code No.	Part Name	Quantity
# 1	149-012-2	Head Cover	1	# 40	149-018-5	Cap	1	# 75	990-152-0	O-Ring (P12) (NTN)	1
# 2	193-120-6	Valve Packing Spacer	1	# 41	149-562-6	Stopper	1	# 76	990-320-0	O-Ring (ARP568-003)	2
# 3	193-147-6	Stop Valve Bushing	1	# 42	173-842-0	Handle Cover	1	# 77	990-329-0	O-Ring (JW1530-19)	1
# 4	193-148-6	Stop Valve Cover	1	# 43	149-840-2	Handle Protector	1	# 78	990-337-0	O-Ring (JW1530-27)	2
# 5	193-149-6	Stop Valve Plug	1	# 44	149-850-5	Casing Connector Packing	1	# 79	990-905-0	O-Ring (SNS-7)	1
# 6	193-872-6	Valve Packing	1	# 45	149-853-2	Head Cover Packing	1	# 80	990-914-0	O-Ring (SNS-16)	1
# 7	149-253-5	Shut-Off Valve Bushing	1	# 46	149-867-2	Front Casing Packing	1	# 80-1	990-910-0	O-Ring (SNS-12.5)	1
# 8	149-254-5	Shut-Off Valve	1	# 47	944-002-0	Supporting Ring (2.6×4.5×1)	2	# 81	990-916-0	O-Ring (SNS-18)	2
# 9	149-927-5	Shut-Off Valve Cover	1	# 48	944-214-0	Supporting Ring (12×15.9×1.5)	1	# 82	990-918-0	O-Ring (SNS-20)	1
# 10	149-025-2	Casing	1	# 49	945-014-0	Allen Head Bolt (M4×14)	4	# 83	990-921-0	O-Ring (SNS-22.4)	1
# 11	149-035-5	Casing Connector	1	# 50	945-117-0	Allen Head Bolt (M5×16)	4	# 84	990-972-0	O-Ring (SNS-4) (NOK)	1
# 12	148-091-9	Air Inlet Bushing	1	# 51	948-423-0	Allen Flush Head Screw (M3×6)	2	# 85	996-418-0	Packing (15×9×1)	1
# 12-1	148-093-7	Air Inlet Bushing Scerw	1	# 52	954-005-0	Allen Head Dog Point Screw (M3×5)	1	# 86-1	909-733-0	Connector (RF-06)	1
# 13	173-780-5	Exhaust Stack	1	# 53	965-006-0	Heli-Sert (M4×1.5D)	4	# 87	909-915-0	Solenoid Valve Assembly	1
# 14	173-042-0	Silencer	1	# 54	965-011-0	Heli-Sert (M5×1.5D)	4	# 88	909-926-0	Joint Cable Assembly	1
# 15	173-835-0	Filter	1	# 55	970-130-0	Pin (H) (2.45×4.5)	2	# 89	909-920-0	LED Lamp Assembly	1
# 16	173-100-0	Valve	1	# 56	970-135-0	Pin (H) (2.45×11)	2	ALPHA-60DMC			
# 17	173-104-0	Valve Rod	1	# 57	970-208-0	Pin (H) (3×10)	2	# 90	850-476-1	Sensor Casing Assembly	1
# 18	149-107-2	Valve Lever	1	# 58	971-125-0	Pin (2×25)	1	# 91	011-351-1	Bit Sleeve	1
# 19	151-210-4	Reverse Valve	1	# 59	973-005-0	Roll Pin (2×5)	1	# 92	011-352-1	Bit Spacer	1
# 20	151-211-4	Reverse Valve Bushing	1	# 60	973-008-0	Roll Pin (2×8)	2	# 93	976-327-0	Spring (13.5×11) (0.9)	1
# 21	173-212-0	Reverse Lever	1	# 61	973-014-0	Roll Pin (2×14)	1	# 94	978-117-0	Snap Ring (11.7×1.0)	1
# 22	149-285-2	Rear Plate	1	# 62	973-340-0	Roll Pin (6×10)	2	# 95	981-002-0	Ball (1/8)	1
# 23	149-286-2	Cylinder	1	# 62-1	973-007-0	Roll Pin (2×7)	1	ACCESSORIES			
# 24	161-287-3	Rotor	1	# 63	976-006-0	Spring (3×5) (0.4)	1	# 96	904-090-0	Extension Bar (3/8×43)	1
# 25	155-288-2	Blade (PC)	9	# 64	976-396-0	Spring (4.6×15) (0.55)	1	# 97	971-214-0	Pin (3×14)	1
# 26	149-289-2	Front Plate	1	# 65	976-240-0	Spring (3×14) (0.4)	1	# 98	990-011-0	O-Ring (P12)	1
# 27	193-291-6	Rear Plate Spacer	1	# 66	976-791-0	Spring (3.3×21) (0.4) WPC	2	# 99	953-104-0	Allen Head Flat Point Screw (M4×4)	1
# 28	196-901-4	Rear Liner Plate	1	# 67	977-160-0	Cone Spring (7.4×14×20)	1	# 100	004-790-2	Suspension Ring	1
# 29	177-902-5	Liner	1	# 68	978-282-0	Snap Ring (28×1)	1	# 101	939-091-0	Allen Wrench (1.5MM)	1
# 30	149-319-2	Anvil	1	# 69	981-024-0	Ball (5)	1	# 102	939-109-0	Allen Wrench (2MM)	1
# 31	177-440-5	Driving Blade	2	# 70	981-002-0	Ball (1/8)	1	# 103	939-105-0	Allen Wrench (4MM)	1
# 32	178-904-8	Front Liner Plate	1	# 71	981-045-0	Ball (1.5)	8	# 104	940-114-0	Air Hose Nipple	1
# 33	177-905-6	Liner Casing	1	# 72	982-401-0	Ball Bearing (EE-2)	1	# 105	909-921-0	Sensor Cable Assy (3F5)	1
# 34	190-906-6	Liner Casing Setter	1	# 73	982-402-0	Ball Bearing (EE-3)	1				
# 35	174-907-8	Relief Valve Spindle	1	# 74	990-002-0	O-Ring (P4)	1				
# 36	178-742-0	Oil Plug	1								
# 37	149-754-2	Clip Ring	1								
# 38	850-470-1	Sensor Casing Assembly	1								
# 39	149-079-5	Connector	1								

When ordering spare parts, please specify tool type, code number and part name.

Printed in Japan



URYU SEISAKU, LTD. Osaka, Japan

OKA-410-02-10-31-2004