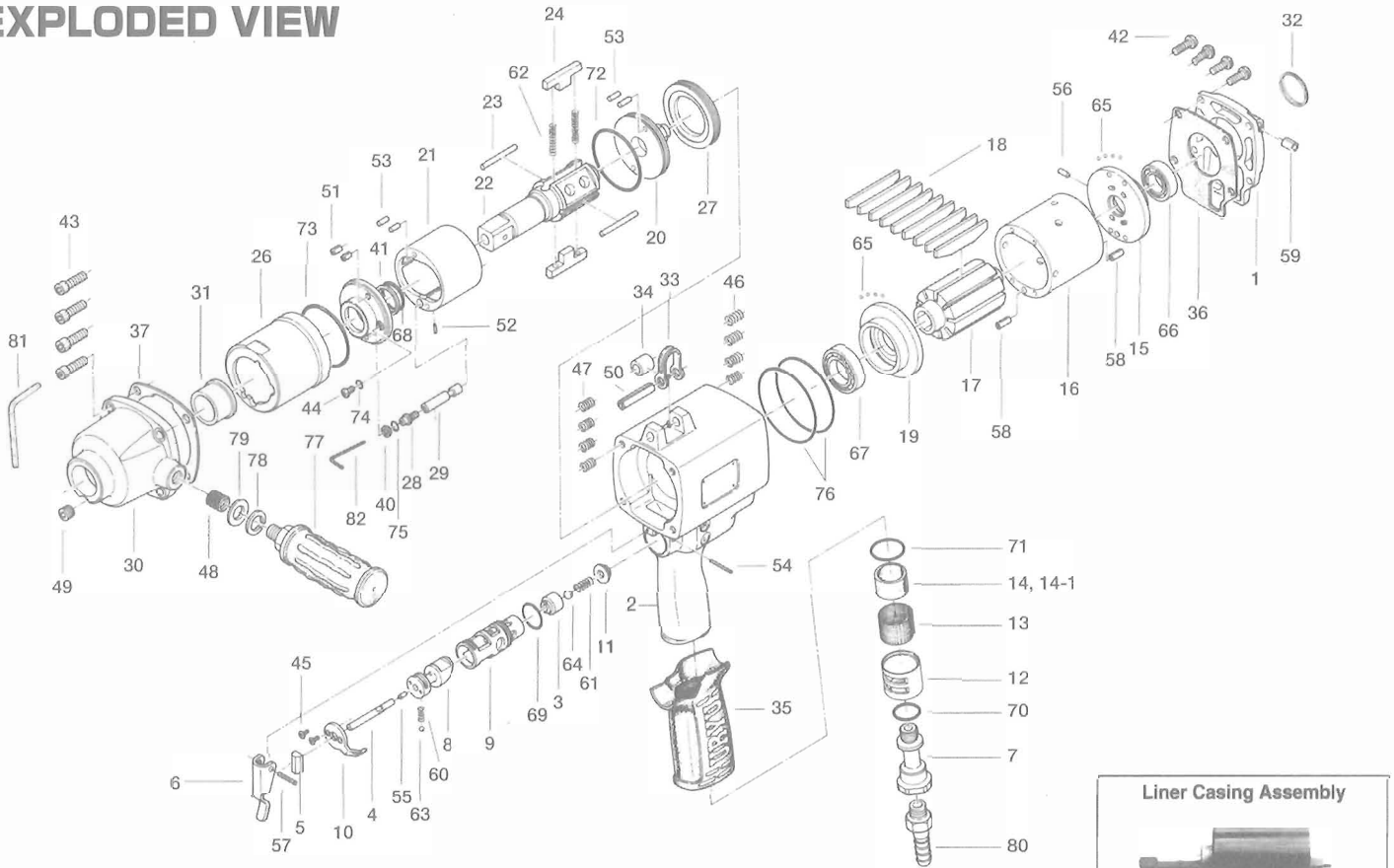


α ALPHA 180 OIL-PULSE WRENCH

EXPLODED VIEW



PARTS LIST

Index No.	Code No.	Parts Name	Quantity	Index No.	Code No.	Parts Name	Quantity	Index No.	Code No.	Parts Name	Quantity
# 1	195-012-9	Head Cover	1	#28	175-907-9	Relief Valve Spindle	1	#58	973-212-0	Roll Pin (4×12)	2
# 2	163-025-6	Handle	1	#29	163-970-6	Relief Valve	1	#59	973-360-0	Roll Pin (8×10)	1
# 3	163-100-6	Valve	1	#30	163-439-6	Front Casing	1	#60	976-006-0	Spring (3×5×0.4)	1
# 4	163-104-6	Valve Rod	1	#31	195-328-7	Anvil Bushing	1	#61	976-142-0	Spring (6×17.5×0.6)	1
# 5	163-106-6	Valve Rod Cap	1	#32	004-790-2	Suspension Ring	1	#62	976-796-0	Spring (4.3×4.8×0.6)WPC	2
# 6	163-107-6	Valve Lever	1	#33	195-790-9	Suspension Ring	1	#63	981-002-0	Ball (1/8)	1
# 7	163-091-6	Air Inlet Bushing	1	#34	173-796-3	Suspension Bushing	1	#64	981-206-0	Ball (Black1/4)	1
# 8	163-210-6	Reverse Valve	1	#35	163-842-6	Handle Cover	1	#65	981-047-0	Ball (3/32)	3
# 9	163-211-6	Reverse Valve Bushing	1	#36	195-853-9	Handle Cover Packing	1	#66	982-103-0	Ball Bearing (6003)	1
#10	163-212-3	Reverse Lever	1	#37	195-867-9	Front Casing Packing	1	#67	982-906-0	Ball Bearing (6905)	1
#11	163-109-6	Valve Spring Setter	1	#40	944-205-0	Back-Up Ring (5.1×7×1)	1	#68	990-170-0	O-Ring (ARP568-120 NTN)	1
#12	163-780-6	Exhaust Stack	1	#41	944-225-0	Back-Up Ring (25.2×29.4×1.5)	1	#69	990-916-0	O-Ring (SNS-18)	1
#13	163-042-3	Silencer	1	#42	945-117-0	Allen Head Bolt (M5×16)	4	#70	990-919-0	O-Ring (SNS-22)	1
#14	163-835-6	Filter (K200)	1	#43	945-220-0	Allen Head Bolt (M6×20)	4	#71	990-917-0	O-Ring (SNS-24)	1
#14-1	163-835-5	Filter (K100)	1	#44	945-942-0	Hexagon Head Bolt (M4×6)	1	#72	990-940-0	O-Ring (SNS-53)	1
#15	163-285-6	Rear Plate	1	#45	948-423-0	Allen Flush Head Screw (M3×6)	2	#73	990-941-0	O-Ring (SNS-55)	1
#16	163-286-6	Cylinder	1	#46	965-011-0	Heli-Sert (M5×1.5D)	4	#74	990-971-0	O-Ring (SNS-3 NOK)	1
#17	163-287-6	Rotor	1	#47	965-021-0	Heli-Sert (M6×1.5D)	4	#75	990-972-0	O-Ring (SNS-4 NOK)	1
#18	163-288-6	Blade	9	#48	965-058-0	Heli-Sert (M12×1D)	1	#76	990-993-0	O-Ring (SNS-70)	2
#19	163-289-6	Front Plate	1	#49	966-100-0	Allen Head Plug (GM1/8)	1	#77	566-720-2	Dead Handle (A)	1
#20	195-901-9	Rear Liner Plate	1	#50	969-480-0	Pin (C) (8×40)	1	#78	962-013-0	Spring Washer (2-12S)	1
#21	172-902-2	Liner	1	#51	969-485-0	Pin (D) (4×8)	2	#79	975-127-0	Spacer (20×13×1)	1
#22	173-319-2	Anvil	1	#52	970-093-0	Pin (H) (2×6)	1	ACCESSORIES			
#23	173-974-2	Roller (3.4×45)	2	#53	970-308-0	Pin (H) (4×8)	4	#80	940-125-0	Air Hose Nipple (NPT3/8×1/2)	1
#24	195-440-9	Driving Brake	2	#54	971-126-0	Pin (2×26)	1	#81	939-104-0	Allen Wrench (5)	1
#25	163-904-6	Front Liner Plate	1	#55	972-090-0	Roller Pin (3×10)	1	#82	939-109-0	Allen Wrench (2)	1
#26	163-905-6	Liner Casing	1	#56	973-066-0	Roll Pin (2.5×6)	1				
#27	195-906-9	Liner Casing Setter	1	#57	973-120-0	Roll Pin (3×20)	1				

When ordering spare parts, please specify tool type, code number and parts name.

Printed in Japan



URYU SEISAKU, LTD. Osaka, Japan

OKA-462-03-03-13-2002