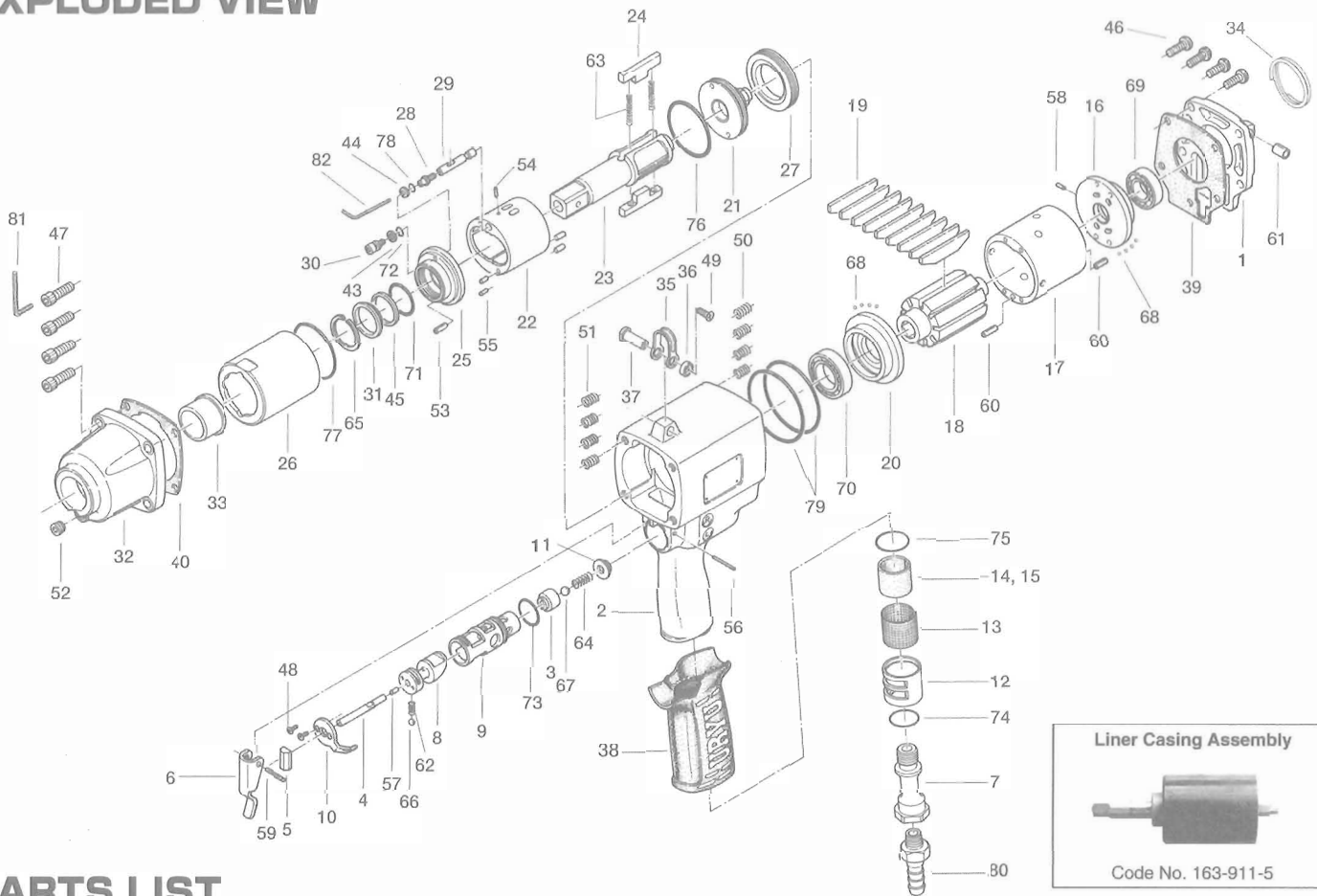


α ALPHA 160 OIL-PULSE WRENCH

EXPLODED VIEW



PARTS LIST

Index No.	Code No.	Parts Name	Quantity	Index No.	Code No.	Parts Name	Quantity	Index No.	Code No.	Parts Name	Quantity
# 1	195-012-3	Head Cover	1	#29	163-970-5	Relief Valve	1	#59	973-120-0	Roll Pin (3×20)	1
# 2	163-025-5	Handle	1	#30	194-742-3	Oil Plug	1	#60	973-212-0	Roll Pin (4×12)	2
# 3	163-100-6	Valve	1	#31	163-807-5	Spacer	1	#61	973-360-0	Roll Pin (8×10)	1
# 4	163-104-6	Valve Rod	1	#32	163-439-5	Front Casing	1	#62	976-006-0	Spring (3×5×0.4)	1
# 5	163-106-6	Valve Rod Cap	1	#33	195-328-7	Anvil Bushing	1	#63	976-795-0	Spring (4.3×40.5×0.6) WPC	2
# 6	163-107-6	Valve Lever	1	#34	004-790-2	Suspension Ring	1	#64	976-142-0	Spring (6×17.5×0.6)	1
# 7	163-091-6	Air Inlet Bushing	1	#35	195-790-9	Suspension Ring	1	#65	979-207-0	Snap Ring (30)	1
# 8	163-210-6	Reverse Valve	1	#36	148-791-6	Suspension Ring Retainer	1	#66	981-002-0	Ball (1/8)	1
# 9	163-211-6	Reverse Valve Bushing	1	#37	149-796-9	Suspension Rings Bushing	1	#67	981-206-0	Ball (1/4)Black	1
#10	163-212-3	Reverse Lever	1	#38	163-842-6	Handle Cover	1	#68	981-047-0	Ball (3/32)	8
#11	163-109-6	Valve Spring Setter	1	#39	195-853-3	Handle Cover Packing	1	#69	982-103-0	Ball Bearing (6003)	1
#12	163-780-6	Exhaust Stack	1	#40	195-867-3	Front Casing Packing	1	#70	982-906-0	Ball Bearing (6905)	1
#13	163-042-3	Silencer	1	#43	944-003-0	Supporting Ring (3×5×1)	1	#71	990-170-0	O-Ring (ARP-568-120 NTN)	1
#14	163-835-5	Filter (K100)	1	#44	944-205-0	Supporting Ring (5.1×7×1)	1	#72	990-970-0	O-Ring (SNS-2 NCK)	1
#15	163-835-6	Filter (K200)	1	#45	944-225-0	Supporting Ring (25.2×29.4×1.5)	1	#73	990-916-0	O-Ring (SNS-18)	1
#16	163-285-5	Rear Plate	1	#46	945-117-0	Allen Head Bolt (M5×16)	4	#74	990-919-0	O-Ring (SNS-22)	1
#17	163-286-5	Cylinder	1	#47	945-220-0	Allen Head Bolt (M6×20)	4	#75	990-917-0	O-Ring (SNS-26)	1
#18	163-287-5	Rotor	1	#48	948-423-0	Allen Flush Head Screw (M3×6)	2	#76	990-936-0	O-Ring (SNS-45)	1
#19	163-288-5	Blade	9	#49	948-430-0	Allen Flush Head Screw (M4×8)	1	#77	990-937-0	O-Ring (SNS-46)	1
#20	163-289-5	Front Plate	1	#50	965-011-0	Heli-Sert (M5×1.5)	4	#78	990-972-0	O-Ring (SNS-4 NOK)	1
#21	195-901-3	Rear Liner Plate	1	#51	965-021-0	Heli-Sert (M6×1.5D)	4	#79	990-990-0	O-Ring (SNS-65)	2
#22	172-902-5	Liner	1	#52	966-100-0	Allen Head Plug (GM-1/8)	1	ACCESSORIES			
#23	163-319-5	Anvil (3/4)	1	#53	969-484-0	Pin (D)(3×8)	1	#80	940-121-0	Air Hose Nipple (NTP3/8×3/8)	1
#24	195-440-6	Driving Blade	2	#54	970-093-0	Pin (H)(2×6)	1	#81	939-104-0	Allen Wrench 5	1
#25	163-904-5	Front Liner Plate	1	#55	970-206-0	Pin (H)(3×8)	4	#82	939-109-0	Allen Wrench 2	1
#26	195-905-6	Liner Casing	1	#56	971-126-0	Pin (2×26)	1				
#27	195-906-3	Liner Casing Setter	1	#57	972-090-0	Roller Pin (3×10)	1				
#28	175-907-9	Relief Valve Spindle	1	#58	973-066-0	Roll Pin (2.5×6)	1				

When ordering spare parts, please Specify tool type, code number and parts name.

Printed in Japan



URYU SEISAKU, LTD. Osaka, Japan