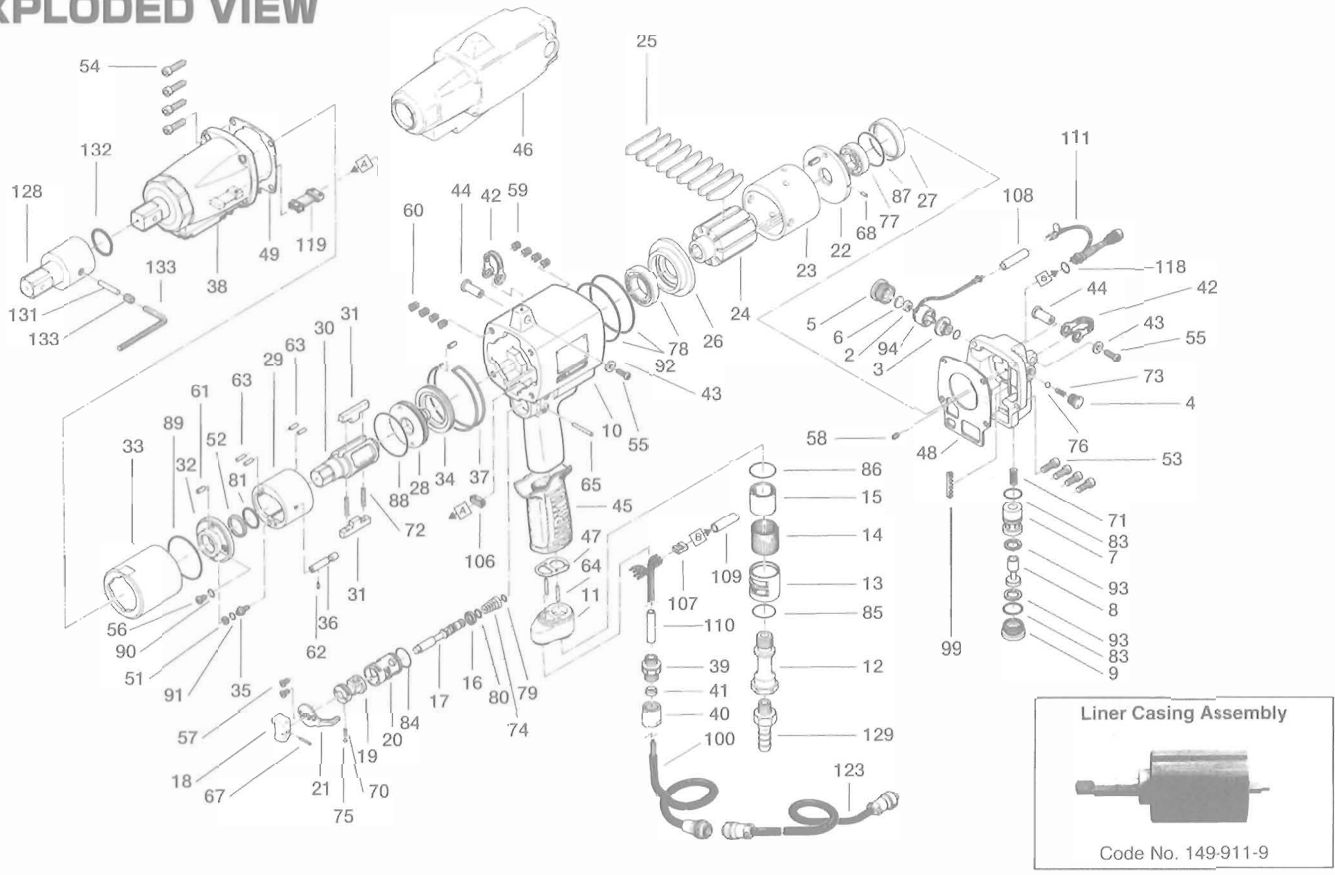


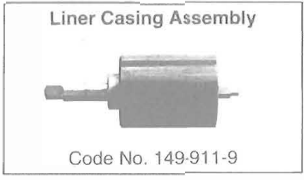
α ALPHA 140MC OIL-PULSE WRENCH

EXPLODED VIEW



PARTS LIST

Index No.	Code No.	Parts Name	Quantity	Index No.	Code No.	Parts Name	Quantity	Index No.	Code No.	Parts Name	Quantity
# 1	149-012-9	Head Cover	1	#39	149-079-5	Connector	1	#78	982-906-0	Ball Bearing (6905)	1
# 2	193-120-6	Valve Packing Spacer	1	#40	149-018-5	Cap	1	#79	990-002-0	O-Ring (P4)	1
# 3	193-147-6	Stop Valve Bushing	1	#41	149-562-6	Stopper	1	#80	990-004-0	O-Ring (P6)	1
# 4	193-148-6	Stop Valve Cover	1	#42	195-790-9	Suspension Ring	1	#81	990-160-0	O-Ring (P21)NTN	1
# 5	193-149-6	Stop Valve Plug	1	#43	149-791-9	Suspension Ring Spacer	1	#82	990-905-0	O-Ring (SNS-7)	1
# 6	193-872-6	Valve Packing	1	#44	149-796-9	Suspension Ring Bushing	1	#83	990-914-0	O-Ring (SNS-16)	1
# 7	149-253-9	Shut-Off Valve Bushing	1	#45	149-842-7	Handle Cover	1	#84	990-916-0	O-Ring (SNS-18)	1
# 8	149-254-9	Shut-Off Valve	1	#46	149-840-9	Handle Protector	1	#85	990-918-0	O-Ring (SNS-20)	1
# 9	149-927-9	Shut-Off Valve Cover	1	#47	149-850-7	Handle Connector Packing	1	#86	990-920-0	O-Ring (SNS-25)	1
#10	149-025-9	Handle	1	#48	149-853-9	Head Cover Packing	1	#87	990-929-0	O-Ring (SNS-36)	1
#11	149-035-7	Handle Connector	1	#49	149-867-9	Front Casing Packing	1	#88	990-936-0	O-Ring (SNS-45)	1
#12	149-091-7	Air Inlet Bushing	1	#51	944-205-0	Supporting Ring (5.1×7×1)	1	#89	990-937-0	O-Ring (SNS-46)	1
#13	163-780-3	Exhaust Stack	1	#52	944-221-0	Supporting Ring (20.9×24.72×1.25)	1	#90	990-971-0	O-Ring (SNS-3)NOK	1
#14	163-042-3	Silencer	1	#53	945-118-0	Allen Head Bolt (M5×18)	4	#91	990-972-0	O-Ring (SNS-4)NOK	1
#15	163-835-3	Filter (K50)	1	#54	945-220-0	Allen Head Bolt (M6×20)	4	#92	990-990-0	O-Ring (SNS-65)	2
#16	163-100-3	Valve	1	#55	945-943-0	Hexagon Round Head Bolt (M4×8)	2	#93	996-431-0	Urethane Packing	2
#17	163-104-3	Valve Rod	1	#56	945-942-0	Hexagon Round Head Bolt (M4×6S)	1	#94	909-915-0	Solenoid Valve Assembly	1
#18	177-107-5	Valve Lever	1	#57	948-423-0	Allen Flush Head Screw (M3×6)	2	#99	909-486-0	Free Bushing (KG-024)	2
#19	152-210-4	Reverse Valve	1	#58	954-005-0	Allen Head Cone Point Screw (M3×5)	1	#100	909-916-0	Joint Cable Assembly	1
#20	163-211-3	Reverse Valve Bushing	1	#59	965-011-0	Heli-Sert (M5×1.5D)	4	#106	909-918-0	Double-Row Socket (DF11-12DC-2C)	1
#21	163-212-3	Reverse Lever	1	#60	965-021-0	Heli-Sert (M6×1.5D)	4	#107	909-733-0	Connector (RF-06)	1
#22	163-285-4	Rear Plate	1	#61	969-450-0	Pin (G) (3×8)	1	#108	909-707-0	ShrinkTube (φ 6×30)	1
#23	163-286-4	Cylinder	1	#62	970-093-0	Pin (H) (2×6)	1	#109	909-708-0	ShrinkTube (φ 8×30)	1
#24	163-287-4	Rotor	1	#63	970-206-0	Pin (H) (3×8)	4	#110	909-738-0	ShrinkTube (φ 6×40)	1
#25	152-288-4	Blade (PC)	1	#64	970-208-0	Pin (H) (3×10)	2	#111	909-920-0	LED Lamp Assembly	1
#26	163-289-4	Front Plate	1	#65	971-126-0	Pin (2×26)	1	#118	990-907-0	O-Ring (SNS-9)	1
#27	182-291-7	Rear Plate Spacer	1	#66	973-068-0	Roll Pin (2.5×8)	1	#119	909-996-0	Sensor Cable Connector Assembly	1
#28	195-901-3	Rear Liner Plate	1	#67	973-014-0	Roll Pin (2×14)	1				
#29	175-902-9	Liner	1	#68	973-066-0	Roll Pin (2.5×6)	1				
#30	149-319-9	Anvil	1	#69	973-212-0	Roll Pin (4×12)	1				
#31	195-440-3	Driving Blade	2	#70	976-006-0	Spring (3×5×0.4)	1				
#32	175-904-9	Front Liner plate	1	#71	976-459-0	Spring (7×21×0.7)	1				
#33	195-905-3	Liner Casing	1	#72	976-795-0	Spring (4.3×40.5×0.6)WPC	2				
#34	195-906-3	Liner Casing Cover	1	#73	976-240-0	Spring (4.3×14×0.4)	1				
#35	175-907-9	Relief Valve Spindle	1	#74	977-254-0	Cone Spring (10×15×16)	1				
#36	163-970-4	Relief Valve	1	#75	981-002-0	Ball (1/8)	1				
#37	149-754-9	Clip Guide	1	#76	981-024-0	Poli-Urethane Ball (5mm)	1				
#38	850-712-1	Sensor Casing Assembly (22-19)	1	#77	982-103-0	Ball Bearing (6003)	1				



When ordering spare parts, please Specify tool type, code number and parts name.

Printed in Japan



URYU SEISAKU, LTD. Osaka, Japan