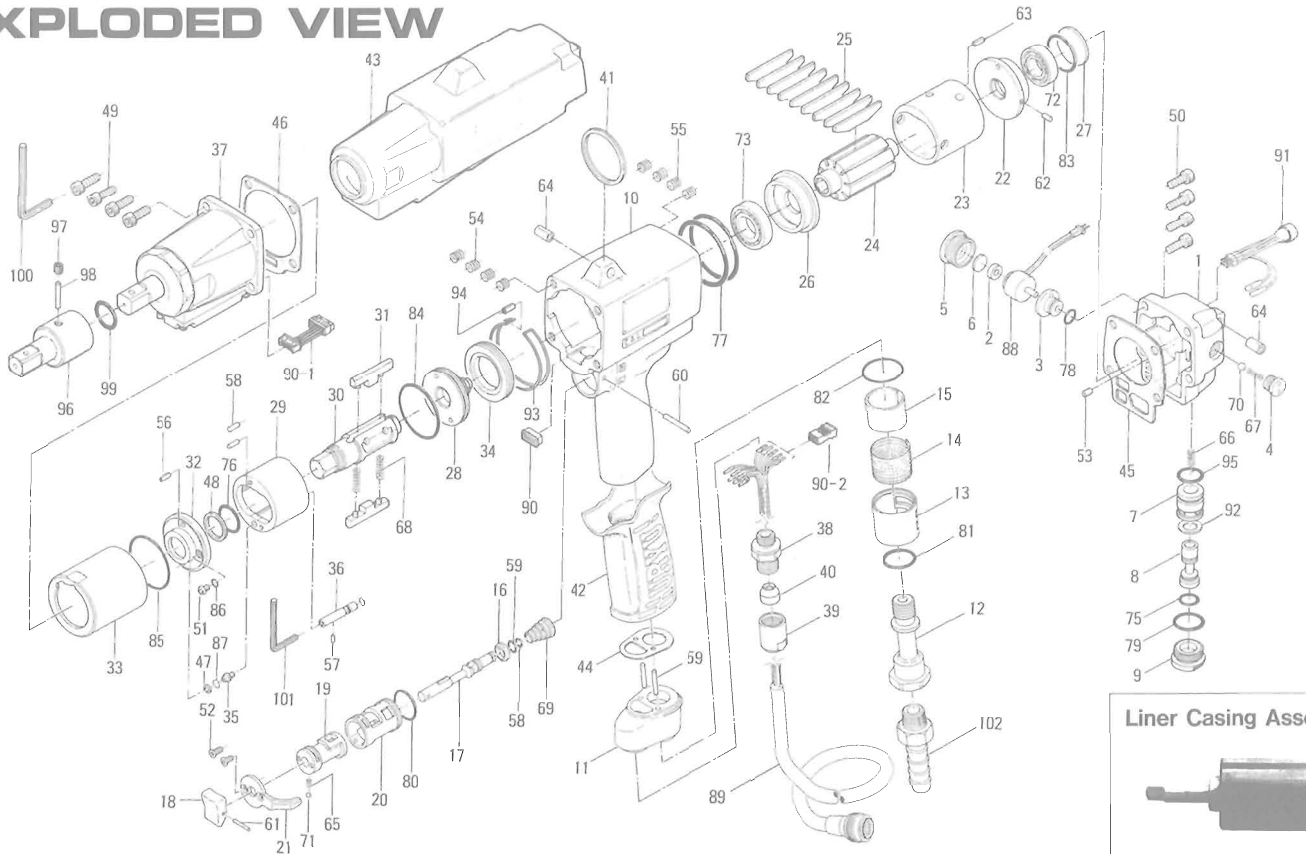


## EXPLODED VIEW



Liner Casing Assembly



Code No.149-911-7

## PARTS LIST

Index No.	Code No.	Parts Name	Quantity	Index No.	Code No.	Parts Name	Quantity	Index No.	Code No.	Parts Name	Quantity
#1	149-012-7	Head Cover	1	#38	149-079-5	Connector	1	#71	981-002-0	Ball (1/8)	1
#2	193-120-6	Valve Packing Spacer	1	#39	149-018-5	Cap	1	#72	982-404-0	Ball Bearing (EE-5)	1
#3	193-147-6	Stop Valve Bushing	1	#40	149-562-6	Stopper	1	#73	982-905-0	Ball Bearing (6904)	1
#4	193-148-6	Stop Valve Cover	1	#41	004-790-2	Suspension Ring	1	#74	990-002-0	O-Ring (P4)	1
#5	193-149-6	Stop Valve Plug	1	#42	149-842-7	Handle Cover	1	#75	990-004-0	O-Ring (P6)	2
#6	193-872-6	Valve Packing	1	#43	149-840-7	Handle Protector	1	#76	990-156-0	O-Ring (P16) (NTN)	1
#7	149-253-8	Shut-Off Valve Bushing	1	#44	149-850-7	Handle Connector Packing	1	#77	990-316-0	O-Ring (ARP568-035)	2
#8	149-254-8	Shut-Off Valve	1	#45	149-853-7	Head Cover Packing	1	#78	990-905-0	O-Ring (SNS-7)	1
#9	149-927-5	Shut-Off Valve Cover	1	#46	149-867-7	Front Casing Packing	1	#79	990-914-0	O-Ring (SNS-16)	1
#10	149-025-7	Handle	1	#47	944-205-0	Supporting Ring (5.1×7×1)	1	#80	990-916-0	O-Ring (SNS-18)	1
#11	149-035-7	Handle Connector	1	#48	944-215-0	Supporting Ring (16×19.9×1.5)	1	#81	990-918-0	O-Ring (SNS-20)	1
#12	149-091-7	Air Inlet Bushing	1	#49	945-117-0	Allen Head Bolt (M5×16)	4	#82	990-920-0	O-Ring (SNS-25)	1
#13	163-780-3	Exhaust Stack	1	#50	945-218-0	Allen Head Bolt (M6×18)	4	#83	990-929-0	O-Ring (SNS-36)	1
#14	163-042-3	Silencer	1	#51	945-942-0	Hexagon Round Head Bolt (M4×6)	1	#84	990-930-0	O-Ring (SNS-40)	1
#15	163-835-3	Filter (K50)	1	#52	948-423-0	Allen Flush Head Screw (M3×6)	2	#85	990-932-0	O-Ring (SNS-42)	1
#16	163-100-3	Valve	1	#53	954-005-0	Allen Head Cone Point Screw (M3×5)	1	#86	990-971-0	O-Ring (SNS-3) (NOK)	1
#17	163-104-3	Valve Rod	1	#54	965-011-0	Heli-Sert (M5×1.5D)	4	#87	990-972-0	O-Ring (SNS-4) (NOK)	1
#18	149-107-5	Valve Lever	1	#55	965-021-0	Heli-Sert (M6×1.5D)	4	#88	909-915-0	Solenoid Valve Assembly	1
#19	152-210-4	Reverse Valve	1	#56	969-450-0	Pin (G) (3×8)	1	#89	909-916-0	Joint Cable Assembly	1
#20	163-211-3	Reverse Valve Bushing	1	#57	970-093-0	Pin (H) (2×6)	1	#90	909-918-0	Socket (DF11-12DC-2C)	1
#21	163-212-3	Reverse Valve Lever	1	#58	970-206-0	Pin (H) (3×8)	4	#90-1909-995-0	Sensor Cable Connector CP	1	
#22	163-285-3	Rear Plate	1	#59	970-208-0	Pin (H) (3×10)	2	#90-2909-733-0	Connector (RF-O6)	1	
#23	163-286-3	Cylinder	1	#60	971-126-0	Pin (2×26)	1	#91	909-920-0	LED Lamp Assembly	1
#24	163-287-3	Rotor	1	#61	973-014-0	Roll Pin (2×14)	1	#92	996-418-0	Packing (15×9×1)	1
#25	152-288-4	Blade (PC)	9	#62	973-066-0	Roll Pin (2.5×6)	2	#93	149-754-7	Clip Ring	1
#26	163-289-3	Front Plate	1	#63	973-212-0	Roll Pin (4×12)	1	#94	973-068-0	Roll Pin (2.5×8)	1
#27	182-291-7	Rear Plate Spacer	1	#64	973-340-0	Roll Pin (6×10)	2	#95	990-913-0	O-Ring (SNS-15)	1
#28	194-901-6	Rear Liner Plate	1	#65	976-006-0	Spring (3×5) (0.4)	1	<b>ACCESSORIES</b>			
#29	166-902-3	Liner	1	#66	976-274-0	Spring (5.2×15) (0.55)	1	#96	904-190-0	Extension Bar (1/2×58)	1
#30	149-319-7	Anvil	1	#67	976-240-0	Spring (4.3×14) (0.4)	1	#97	953-205-0	Allen Head Flat Point Screw (M5×5)	1
#31	194-440-7	Driving Blade	2	#68	976-453-0	Spring (4.5×34.5)(0.6)WPC2	1	#98	971-220-0	Pin (3×20)	1
#32	175-904-7	Front Liner Plate	1	#69	977-254-0	Cone Spring (10×15×16)	1	#99	990-018-0	O-Ring (P20)	1
#33	194-905-6	Liner Casing	1	#70	981-024-0	Ball (5)	1	#100	939-104-0	Allen Wrench (5MM)	1
#34	194-906-4	Liner Casing Setter	1					#101	939-109-0	Allen Wrench (2MM)	1
#35	175-907-9	Relief Valve Spindle	1					#102	940-114-0	Air Hose Nipple (NPT 1/4×3/8)	1
#36	163-970-3	Relief Valve	1								
#37	850-473-1	Sensor Casing Assembly	1								

When ordering spare parts, please specify tool type, code number and part name.

Printed in Japan

