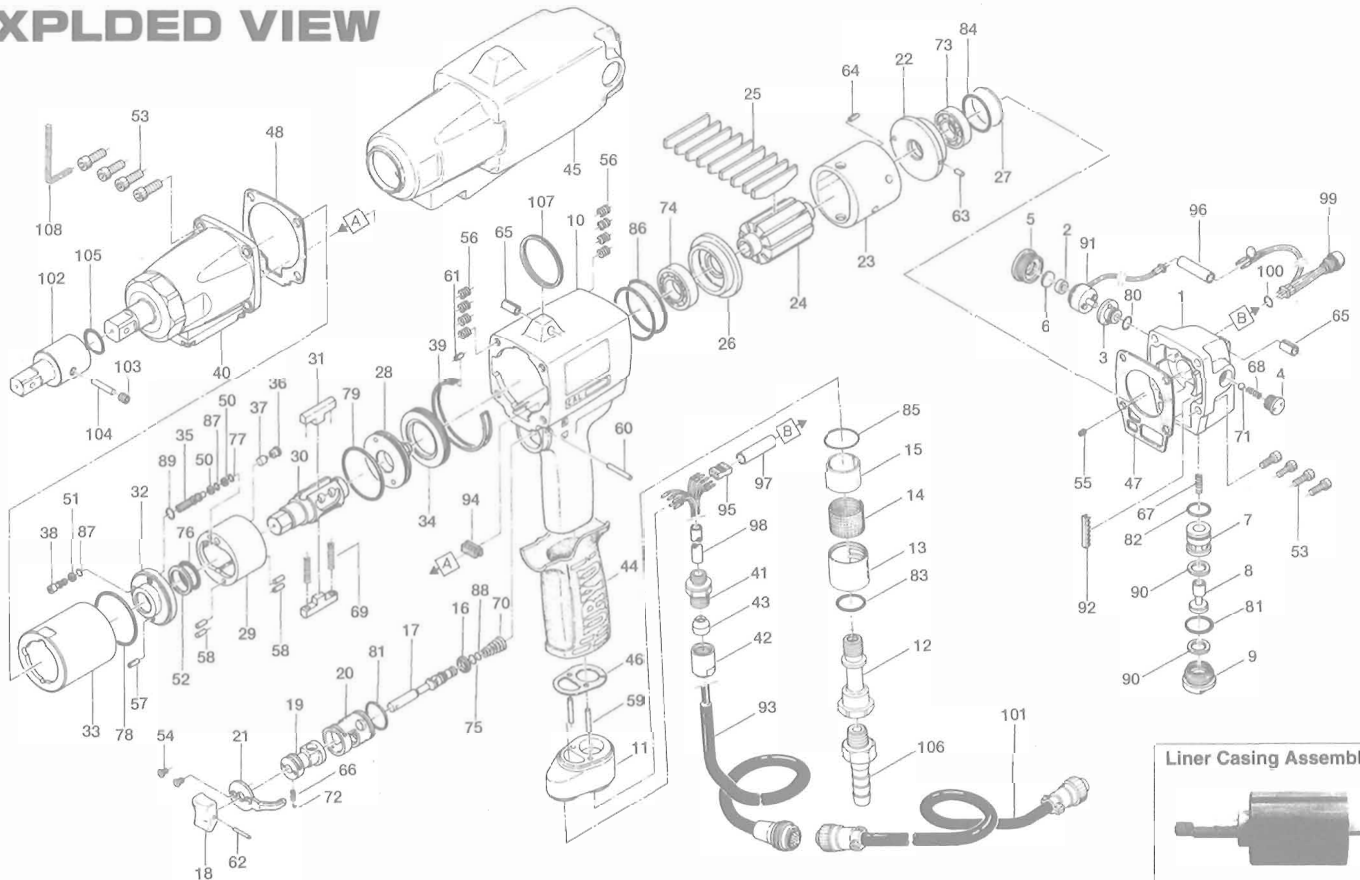


α ALPHA 110MC OIL-PULSE WRENCH

EXPLODED VIEW



Liner Casing Assembly



Code. No. 149-911-6

PARTS LIST

| Index No. | Code No. | Part Name | Quantity | Index No. | Code No. | Part Name | Quantity | Index No. | Code No. | Part Name | Quantity |
|-----------|-----------|------------------------|----------|-----------|-----------|-----------------------------------|----------|-----------|-----------|----------------------------------|----------|
| # 1 | 149-012-6 | Head Cover | 1 | # 39 | 149-754-6 | Clip Ring | 1 | # 77 | 990-320-0 | O-Ring (ART-568-003) | 1 |
| # 2 | 193-120-6 | Valve Packing Spacer | 1 | # 40 | 850-711-1 | Sencer Casing Assembly | 1 | # 78 | 990-338-0 | O-Ring (JW1530-28) | 1 |
| # 3 | 193-147-6 | Stop Valve Bushing | 1 | # 41 | 149-079-5 | Connecor | 1 | # 79 | 990-607-0 | O-Ring (34X2.3) | 1 |
| # 4 | 193-148-6 | Stop Valve Cover | 1 | # 42 | 149-018-5 | Cap | 1 | # 80 | 990-905-0 | O-Ring (SNS-7) | 1 |
| # 5 | 193-149-6 | Stop Valve Plug | 1 | # 43 | 149-562-6 | Stopper | 1 | # 81 | 990-914-0 | O-Ring (SNS-16) | 2 |
| # 6 | 193-872-6 | Valve Packing | 1 | # 44 | 173-842-0 | Handle Cover | 1 | # 82 | 990-910-0 | O-Ring (SNS-12.5) | 1 |
| # 7 | 149-253-6 | Shut-Off Valve-Bushing | 1 | # 45 | 149-840-6 | Handle Protector | 1 | # 83 | 990-916-0 | O-Ring (SNS-18) | 1 |
| # 8 | 149-254-5 | Shut-Off Valve | 1 | # 46 | 149-850-5 | Casing Connector Packing | 1 | # 84 | 990-920-0 | O-Ring (SNS-25) | 1 |
| # 9 | 149-927-5 | Shut-Off Valve Cover | 1 | # 47 | 149-853-6 | Head Cover Packing | 1 | # 85 | 990-921-0 | O-Ring (SNS-22.4) | 1 |
| # 10 | 149-025-6 | Casing | 1 | # 48 | 149-867-6 | Front Casing Packing | 1 | # 86 | 990-938-0 | O-Ring (SNS-48) | 2 |
| # 11 | 149-035-5 | Casing Connector | 1 | # 50 | 944-002-0 | Supporting Ring (2.6X4.5X1) | 2 | # 87 | 990-970-0 | O-Ring (SNS-2)(NOK) | 2 |
| # 12 | 148-091-9 | Air Inlet Bushing | 1 | # 51 | 944-003-0 | Supporting Ring (3X5X1) | 1 | # 88 | 990-972-0 | O-Ring (SNS-4)(NOK) | 1 |
| # 13 | 173-780-5 | Exhaust Stack | 1 | # 52 | 944-215-0 | Supporting Ring (16X19.9X1.5) | 1 | # 89 | 990-973-0 | O-Ring (SNS-5)(NOK) | 1 |
| # 14 | 173-042-0 | Silencer | 1 | # 53 | 945-117-0 | Allen Head Bolt (M5X16) | 8 | # 90 | 996-418-0 | Packing (15X9X1) | 2 |
| # 15 | 173-835-0 | Filter | 1 | # 54 | 948-423-0 | Allen Flush Head Screw(M3X6) | 2 | # 91 | 909-915-0 | Solenoid Valve Assembly | 1 |
| # 16 | 173-100-0 | Valve | 1 | # 55 | 954-005-0 | Allen Head Dog Point Screw (M3X5) | 1 | # 92 | 909-486-0 | Free Bushing (KG-024) | 1 |
| # 17 | 173-104-0 | Valve Rod | 1 | # 56 | 965-011-0 | Heli-Set (M5X1.5D) | 8 | # 93 | 909-916-0 | Joint Cable Assembly | 1 |
| # 18 | 149-107-2 | Valve Lever | 1 | # 57 | 969-450-0 | Pin (G) (3X8) | 1 | # 94 | 909-918-0 | Double-Row Socket (DF11-12DC-2C) | 1 |
| # 19 | 151-210-4 | Reverse Valve | 1 | # 58 | 970-206-0 | Pin (H) (3X8) | 4 | # 95 | 909-733-0 | Connector (RF-06) | 1 |
| # 20 | 151-211-4 | Reverse Valve Bushing | 1 | # 59 | 970-208-0 | Pin (H) (3X10) | 2 | # 96 | 909-707-0 | Shrink Tube (6X30) | 1 |
| # 21 | 173-212-0 | Reverse Lever | 1 | # 60 | 971-125-0 | Pin (2X25) | 1 | # 97 | 909-708-0 | Shrink Tube (8X30) | 1 |
| # 22 | 149-285-6 | Rear Plate | 1 | # 61 | 973-007-0 | Roll Pin (2X7) | 1 | # 98 | 909-738-0 | Shrink Tube (6X40) | 1 |
| # 23 | 173-286-0 | Cylinder | 1 | # 62 | 973-014-0 | Roll Pin (2X14) | 1 | # 99 | 909-920-0 | LED Lamp Assembly | 1 |
| # 24 | 173-287-0 | Rotor | 1 | # 63 | 973-066-0 | Roll Pin (2.5X6) | 1 | # 100 | 990-907-0 | O-Ring (SNS-9) | 1 |
| # 25 | 151-288-9 | Blade (PC) | 9 | # 64 | 973-068-0 | Roll Pin (2.5X8) | 1 | | | | |
| # 26 | 173-289-0 | Front Plate | 1 | # 65 | 973-340-0 | Roll Pin (6X10) | 2 | | | | |
| # 27 | 193-291-7 | Rear Plate Spacer | 1 | # 66 | 976-006-0 | Spring (3X5X0.4) | 1 | | | | |
| # 28 | 194-901-3 | Rear Liner Plate | 1 | # 67 | 976-057-0 | Spring (4.5X14X0.5) | 1 | | | | |
| # 29 | 194-902-3 | Liner | 1 | # 68 | 976-240-0 | Spring (4.3X14X0.4) | 1 | | | | |
| # 30 | 149-319-6 | Anvil | 1 | # 69 | 976-794-0 | Spring (3.8X33X0.4) WPC | 2 | | | | |
| # 31 | 194-440-3 | Driving Blade | 2 | # 70 | 977-160-0 | Cone Spring (7.4X14X20) | 1 | | | | |
| # 32 | 194-904-3 | Front Liner Plate | 1 | # 71 | 981-024-0 | Polyurethane Ball (5mm) | 1 | | | | |
| # 33 | 194-905-3 | Liner Casing | 1 | # 72 | 981-002-0 | Ball (1/8) | 1 | | | | |
| # 34 | 194-906-3 | Liner Casing Setter | 1 | # 73 | 982-403-0 | Ball Bearing (EE4) | 1 | | | | |
| # 35 | 194-907-3 | Relief Valve Spindle | 1 | # 74 | 982-950-0 | Ball Bearing (16002) | 1 | | | | |
| # 36 | 194-969-2 | Relief Valve Cover | 1 | # 75 | 990-002-0 | O-Ring (P4) | 1 | | | | |
| # 37 | 194-970-2 | Relief Valve | 1 | # 76 | 990-156-0 | O-Ring (P16-NTN) | 1 | | | | |
| # 38 | 194-742-3 | Oil Plug | 1 | | | | | | | | |

ACCESSORIES

| | | | |
|-------|-----------|------------------------------------|---|
| # 101 | 909-921-0 | Sensor Cable Assembly (3F5) | 1 |
| # 102 | 904-190-0 | Extension Bar (1/2X60)(MC) | 1 |
| # 103 | 953-205-0 | Allen Head Flat Point Screw (M5X5) | 1 |
| # 104 | 971-220-0 | Pin (3X20) | 1 |
| # 105 | 990-016-0 | O-Ring (P16) | 1 |
| # 106 | 940-114-0 | Air Hose Nipple (NPT1/4X3/8) | 1 |
| # 107 | 004-790-2 | Suspension Ring | 1 |
| # 108 | 939-105-0 | Allen Wrench (4mm) | 1 |

When ordering spare parts, please specify tool type, code number and part name.

Printed in Japan



URYU SEISAKU, LTD. Osaka, Japan