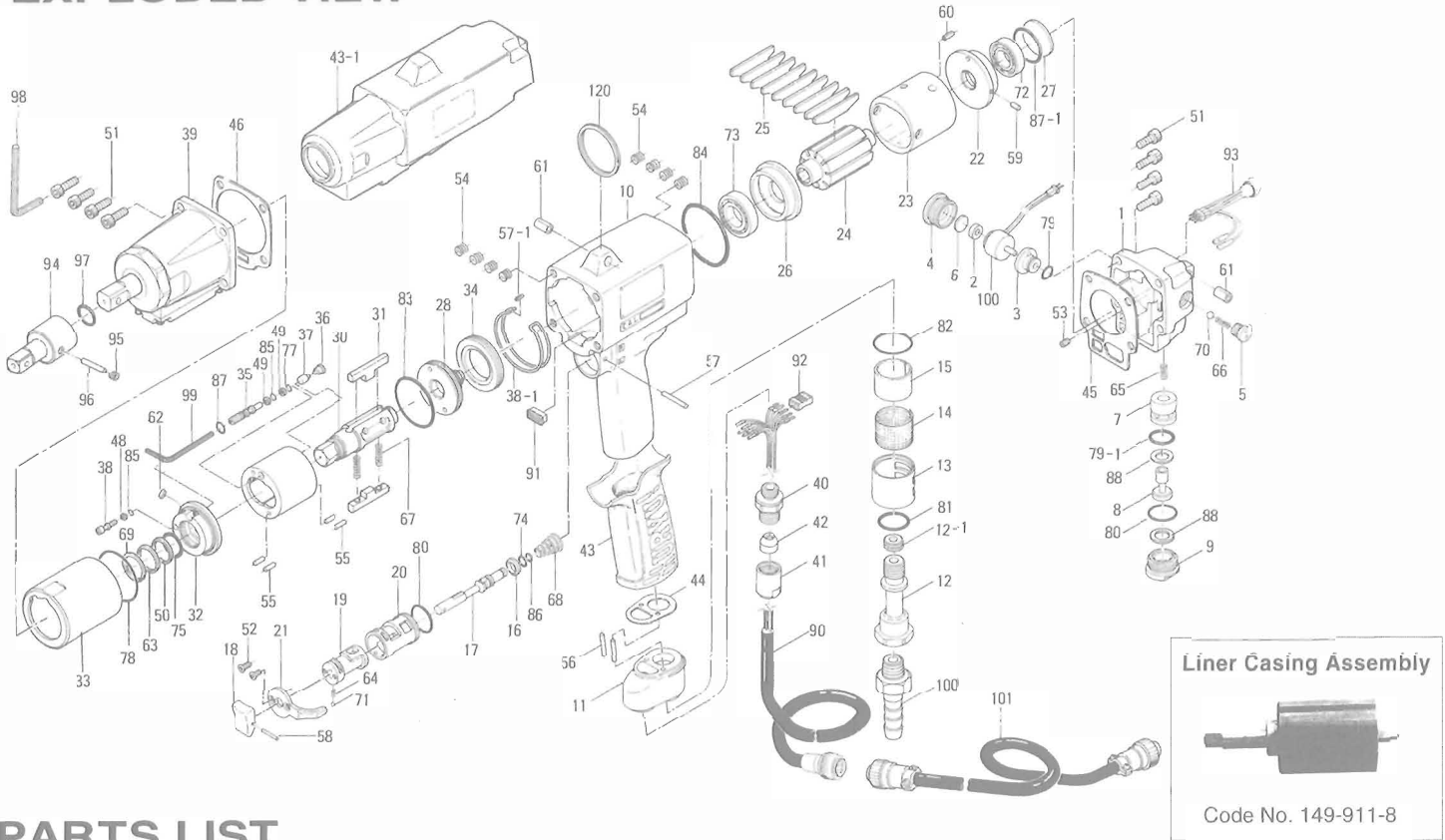


## EXPLODED VIEW



## PARTS LIST

Index No.	Code No.	Parts Name	Quantity	Index No.	Code No.	Parts Name	Quantity	Index No.	Code No.	Parts Name	Quantity
# 1	149-012-5	Casing Cover	1	# 38	194-742-3	Oil Plug	1	# 72	982-403-0	Ball Bearing (EE-4)	1
# 2	193-120-6	Valve Packing Spacer	1	# 38-1	149-754-5	Clip Ring	1	# 73	982-950-0	Ball Bearing (16002)	1
# 3	193-147-6	Stop Valve Bushing	1	# 39	850-472-1	Sensor Casing Assembly	1	# 74	990-002-0	O-Ring (P4)	1
# 4	193-148-6	Stop Valve Cover	1	# 40	149-079-5	Connector	1	# 75	990-154-0	O-Ring (P14)	1
# 5	193-149-6	Stop Valve Plug	1	# 41	149-018-5	Cap	1	# 77	990-320-0	O-Ring (ARP-568-003)	1
# 6	193-872-6	Valve Packing	1	# 42	149-562-6	Stopper	1	# 78	990-337-0	O-Ring (JW1530-27)	1
# 7	149-253-5	Shut Off Valve Bushing	1	# 43	173-842-0	Handle Cover	1	# 79	990-905-0	O-Ring (SNS-7)	1
# 8	149-254-5	Shut Off Valve	1	# 43-1	149-840-5	Casing Protector	1	# 79-1	990-910-0	O-Ring (SNS-12.5)	1
# 9	149-927-5	Shut Off Valve Cover	1	# 44	149-850-5	Handle Packing	1	# 80	990-914-0	O-Ring (SNS-16)	2
# 10	149-025-5	Casing	1	# 45	149-853-5	Casing Packing	1	# 81	990-916-0	O-Ring (SNS-18)	1
# 11	149-035-5	Casing Connector	1	# 46	149-867-5	Front Casing Packing	1	# 82	990-921-0	O-Ring (SNS-22.4)	1
# 12	148-091-9	Air Inlet Bushing	1	# 48	944-003-0	Supporting Ring (3×5×1)	1	# 83	990-924-0	O-Ring (SNS-30)	1
# 12-1	148-093-7	Air Inlet Bushing Screw	1	# 49	944-002-0	Supporting Ring (2.6×4.5×1)	2	# 84	990-934-0	O-Ring (SNS-44)	1
# 13	173-780-5	Exhaust Stack	1	# 50	944-219-0	Supporting Ring (14×17.9×1.5)	1	# 85	990-970-0	O-Ring (SNS-2) (NOK)	2
# 14	173-042-0	Silencer	1	# 51	945-117-0	Allen Head Bolt (M5×16)	8	# 86	990-972-0	O-Ring (SNS-4) (NOK)	1
# 15	173-835-0	Filter	1	# 52	948-423-0	Allen Flush Head Screw (M3×6)	2	# 87	990-973-0	O-Ring (SNS-5) (NOK)	1
# 16	173-100-0	Valve	1	# 53	954-005-0	Allen Head Cone Point Screw (M3×5)	1	# 87-1	990-920-0	O-Ring (SNS-25)	1
# 17	173-104-0	Valve Rod	1	# 54	965-011-0	Heri-Sert (M5×1.5D)	8	# 88	996-418-0	Packing (15×9×1)	2
# 18	149-107-5	Valve Lever	1	# 55	970-206-0	Pin (3×8)	4	# 89	909-915-0	Solenoid Valve Assy	1
# 19	151-210-4	Reverse Valve	1	# 56	970-208-0	Pin (3×10)	2	# 90	909-916-0	Joint Cable Assembly	1
# 20	151-211-4	Reverse Valve Bushing	1	# 57	971-125-0	Pin (2×25)	1	# 91	909-918-0	Double-Row Socket (DF11-12DC)	1
# 21	173-212-0	Reverse Valve Lever	1	# 57-1	973-007-0	Roll Pin (2×7)	1	# 92	909-733-0	Connector (RF-06)	1
# 22	149-285-5	Rear Plate	1	# 58	973-014-0	Roll Pin (2×14)	1	# 93	909-920-0	LED Lump Assembly	1
# 23	163-286-0	Cylinder	1	# 59	973-066-0	Roll Pin (2.5×6)	1	<b>ACCESSORIES</b>			
# 24	163-287-0	Rotor	1	# 60	973-068-0	Roll Pin (2.5×8)	1	# 94	909-190-0	Extension Bar (1/2×60)	1
# 25	151-288-4	Blade(PC)	9	# 61	973-340-0	Roll Pin (6×10)	2	# 95	953-205-0	Allen Head Flat Point Screw (M5×5)	1
# 26	163-289-0	Front Plate	1	# 62	974-005-0	Key (3×6)	1	# 96	971-220-0	Pin (3×20)	1
# 27	193-291-7	Rear Plate Spacer	1	# 63	974-157-0	Spacer (188×14.2×1.5) (H)	1	# 97	990-016-0	O-Ring (P16)	1
# 28	194-901-2	Liner Rear Plate	1	# 64	976-006-0	Spring (3×5) (0.4)	1	# 98	939-104-0	Allen Wrench (5MM)	1
# 29	194-902-2	Liner	1	# 65	976-396-0	Spring (4.6×15) (0.55)	1	# 99	939-091-0	Allen Wrench (1.5MM)	1
# 30	149-319-8	Anvil	1	# 66	976-240-0	Spring (4.3×14) (0.4)	1	# 100	940-114-0	Air Hose Nipple	1
# 31	194-440-2	Driving Blade	2	# 67	976-793-0	Spring (3.7×29)(0.5)WPC2	2	# 101	909-921-0	Sensor Cable Assy (3F5)	1
# 32	149-904-8	Liner Front Cover	1	# 68	977-160-0	Cone Spring (7.4×14×20)	1				
# 33	163-905-0	Liner Casing	1	# 69	979-319-0	Snap Ring (IRTW-19)	1				
# 34	194-906-2	Liner Casing Cover	1	# 70	981-024-0	Polyurethane Ball (5)	1				
# 35	194-907-2	Relief Valve Spindle	1	# 71	981-002-0	Ball (1/8)	1				
# 36	194-969-2	Relief Valve Cover	1								
# 37	194-970-2	Relief Valve	1								

When ordering spare parts, please Specify tool type, code number and part name.

Printed in Japan

