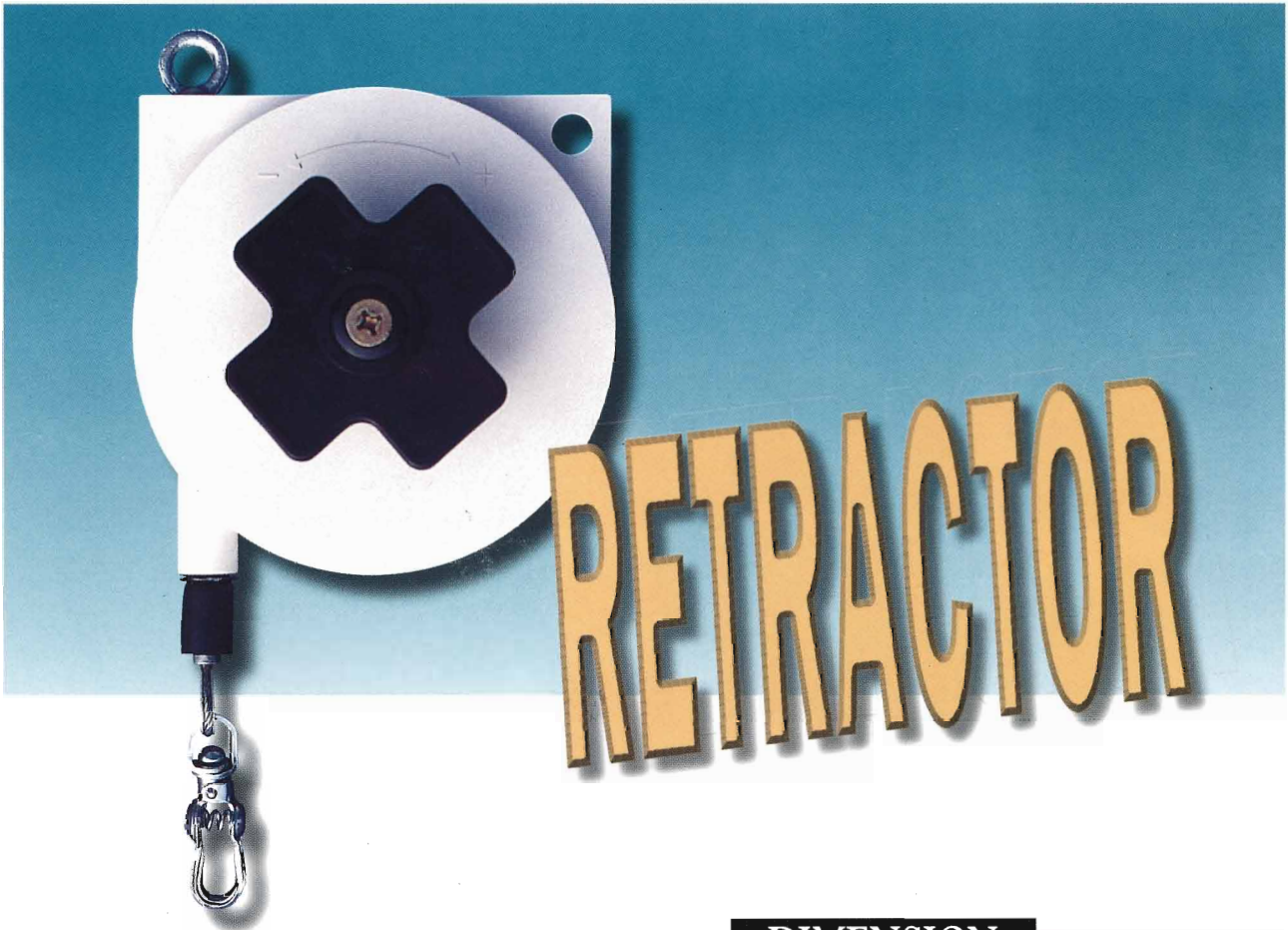
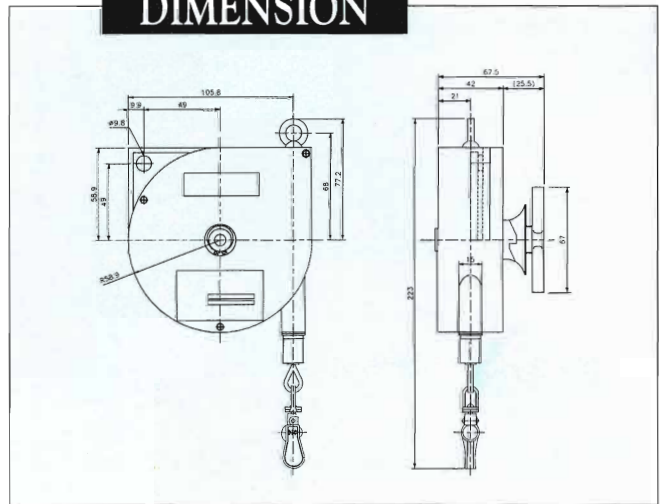


MIJIN F/A SYSTEM



- EASY TO ADJUST TENSIONS BY USING HANDLE.
- LIGHT WEIGHT STRUCTURE.
- LONGER CABLE TRAVEL - 2m.
- SUITABLE FOR AIR DRIVERS AND WORK STATION.

DIMENSION



SPECIFICATION

MODEL	CAPACITY(kg)	STROKE(m)	WEIGHT(kg)	DIA.OF WIRE(φ mm)
RW-0	0.5 - 1.5	2.0	0.5	φ 1.8
RW-3	1.0 - 3.0	2.0	0.7	φ 1.8
RW-5	2.5 - 5.0	2.0	0.9	φ 1.8