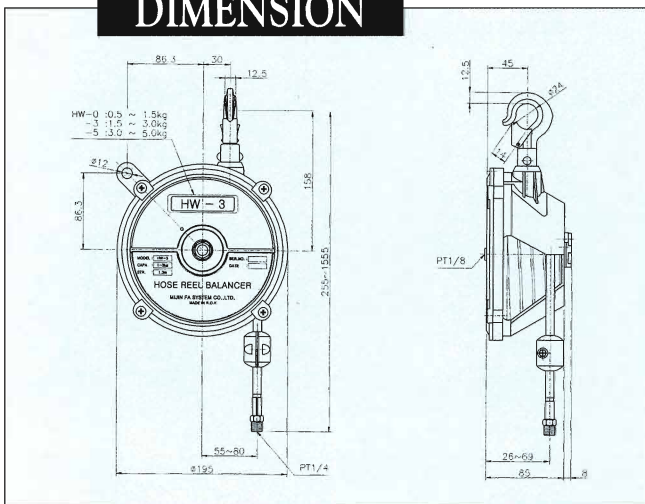


MIJIN F/A SYSTEM

HOSE REEL BALANCER



DIMENSION



- HAS THE FUNCTIONS OF BOTH BALANCER AND HOSE REEL.
- AIR TOOLS CAN BE INSTALLED DIRECTLY AND MOVE UP & DOWN EASILY.
- THE TENSION CAN BE ADJUSTED EASILY BY TURNING THE RATCHET
 - CLOCKWISE : INCREASING
 - ANTI-CLOCKWISE : DECREASING
- TAPERED DRUM TYPE
- LIGHT WEIGHT STRUCTURE

SPECIFICATION

MODEL	CAPACITY(kg)	STROKE(m)	WEIGHT(kg)	HOSE DIA(φ mm) INNER/OUTER
HW-0	0.5 - 1.5	1.3	1.6	φ 6.5 / φ 10
HW-3	1.5 - 3.0	1.3	1.7	φ 6.5 / φ 10
HW-5	3.0 - 5.0	1.3	1.8	φ 6.5 / φ 10